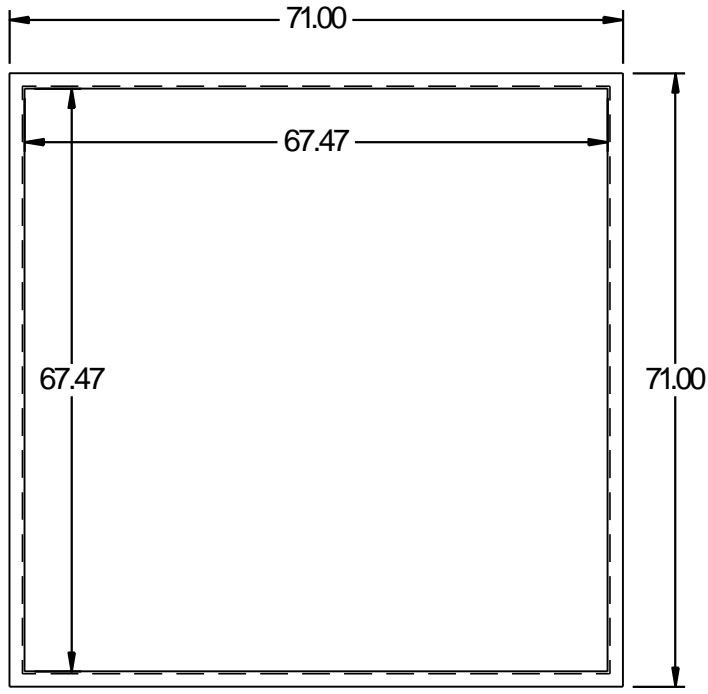
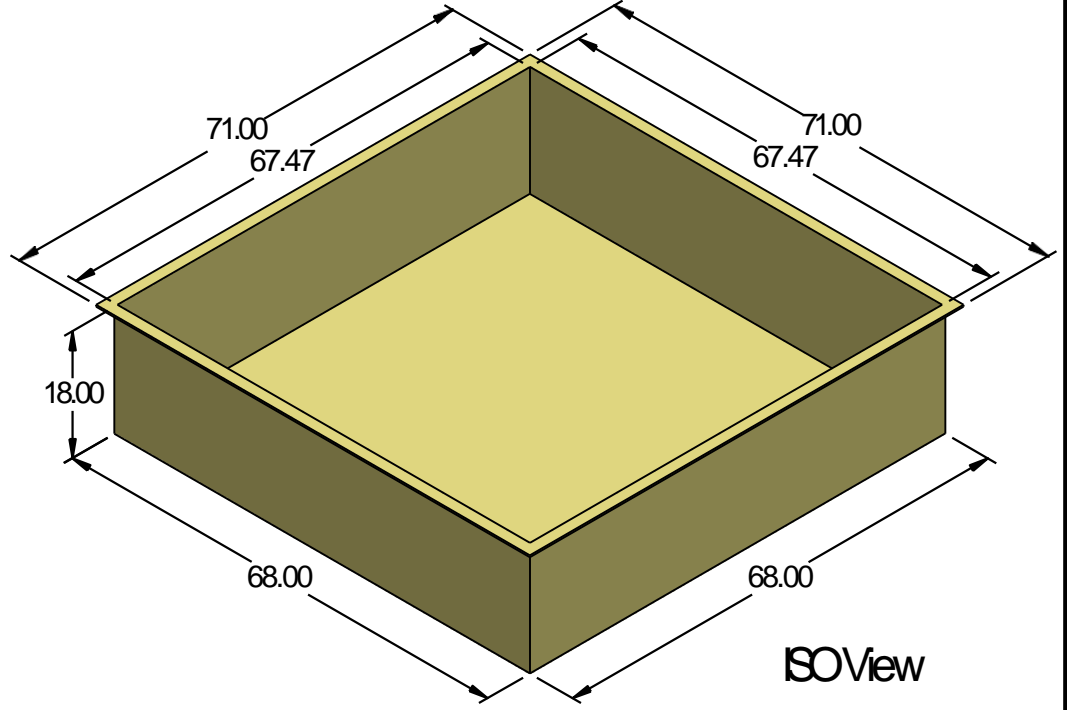


REVISION HISTORY

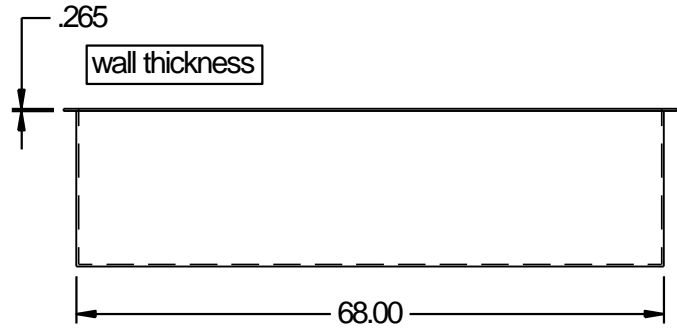
REV	DESCRIPTION	DATE	APPROVED
01	material change from HlDpe to hdpe resin (200) natural	1/2/2004	



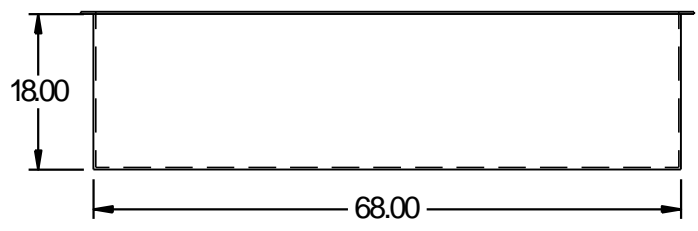
Top View



ISO View



Front View



Side View

note: open tank will need support if filling up beyond half way

Tank Capacity: 350 Gallons

		16160 Hwy 27 Lake Wales, FL 33859	
		TITLE 68" x 68" x 18" Open Top	
SIZE A	Material: HDPE Natural (200)	REV	01
FILE NAME 501150 68x68.dft			
Part# 501150	WEIGHT 29.360lbm	SHEET 1 OF 1	

	NAME	DATE
DRAWN	M.Utt	2/17/2004
CHECKED		
ENG APPR		
MGR APPR		

UNLESS OTHERWISE SPECIFIED  
DIMENSIONS ARE IN INCHES  
ANGLES ±0.5°  
2 PL ±0.125" 3 PL ±0.060"