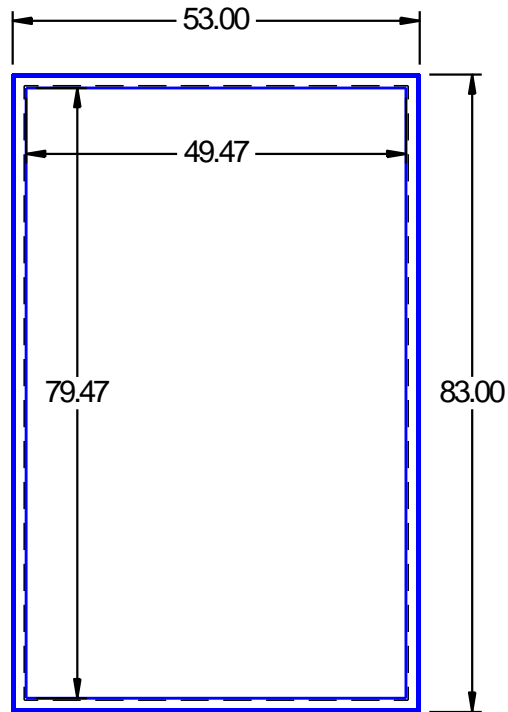
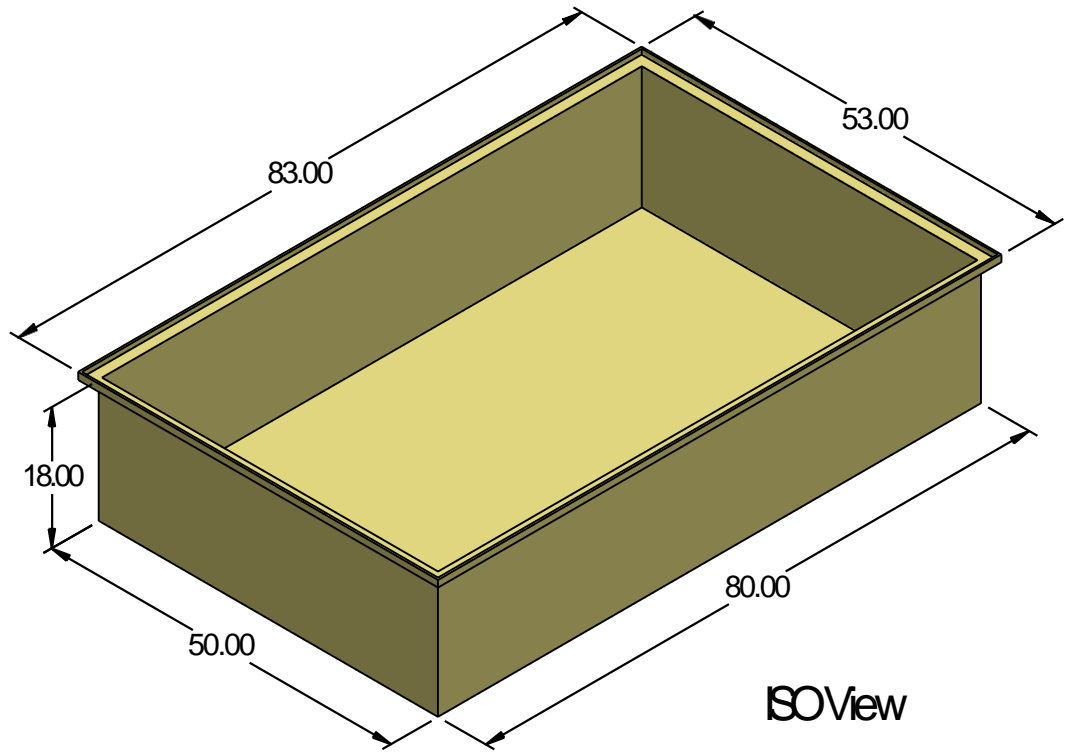


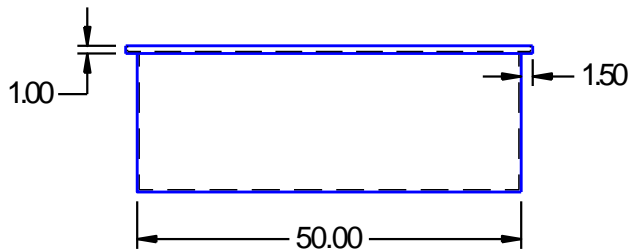
REVISION HISTORY			
REV	DESCRIPTION	DATE	APPROVED



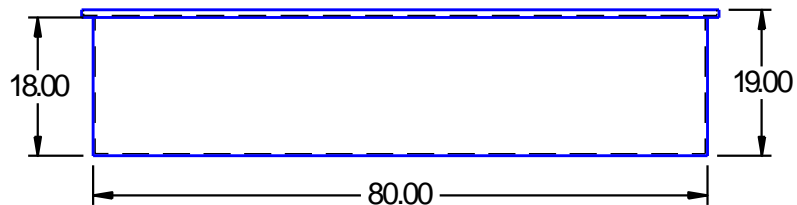
Top View



ISO View



Front View



Side View

note: open tank may need additional support if filling up beyond half way

Tank Capacity: 300 Gallons

		16160 Hwy 27 Lake Wales, FL 33859	
		TITLE 80" x 50" x 18" Open Top	
SIZE A	Material: HDPENatural (200)		REV
FILE NAME 501145 80x50x18.dft			
Part# 501145	WEIGHT 83424lbm	SHEET 1 OF 1	

	NAME	DATE
DRAWN	Mfutt	4/30/2004
CHECKED		
ENG APPR		
MGR APPR		

UNLESS OTHERWISE SPECIFIED
 DIMENSIONS ARE IN INCHES
 ANGLES ±0.5°
 2 PL ±0.125" 3 PL ±0.060"