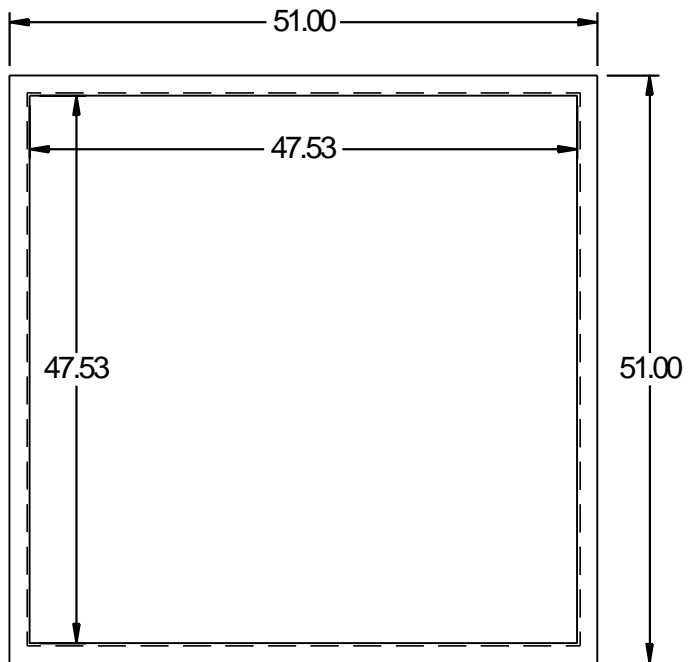
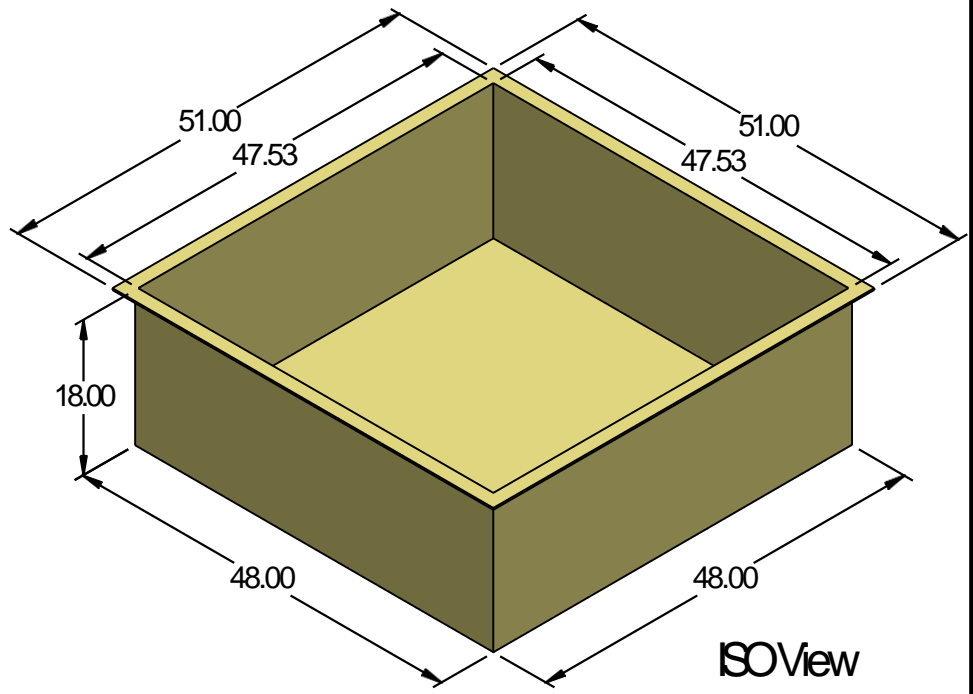


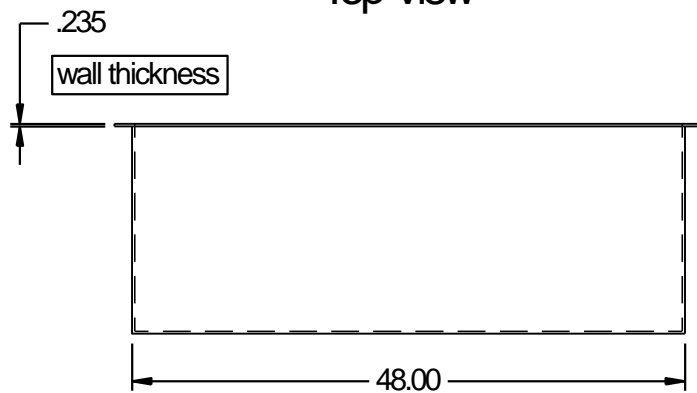
REVISION HISTORY			
REV	DESCRIPTION	DATE	APPROVED
01	material change from Hdppe to hdpe resin (200) natural	1/2/2004	



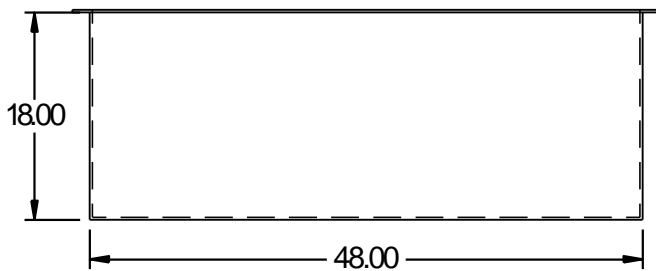
Top View



ISO View



Front View



Side View

note: open tank will need support if filling up beyond half way

Tank Capacity: 175 Gallons

		16160 Hwy 27 Lake Wales, FL 33859	
TITLE 48" x 48" x 18" Open Top			
SIZE A	Material: HDPE Natural (200)	REV	01
FILE NAME 501110 48x48.dft			
Part# 501110	WEIGHT: 48260lbm	SHEET 1 OF 1	

	NAME	DATE
DRAWN	Mfutt	8/22/2003
CHECKED		
ENG APPR		
MGR APPR		

UNLESS OTHERWISE SPECIFIED
DIMENSIONS ARE IN INCHES
ANGLES ±0.5°
2 PL ±0.125" 3 PL ±0.060"