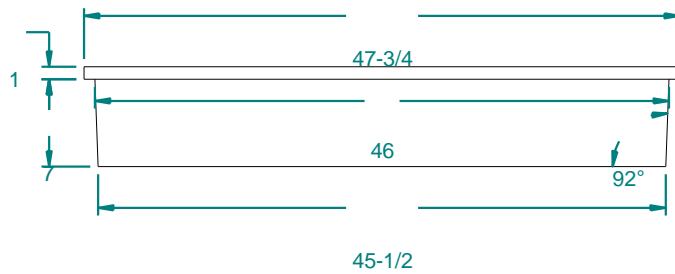
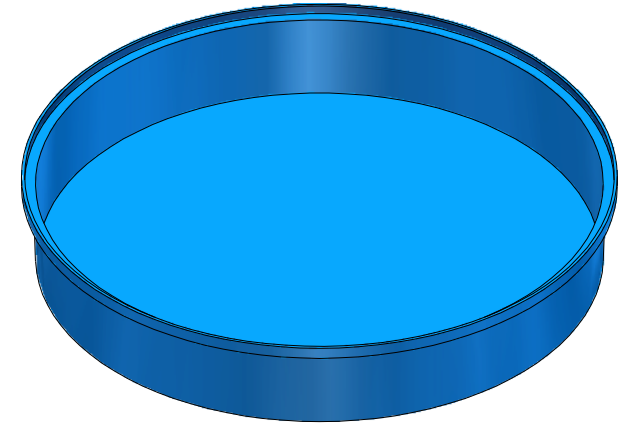
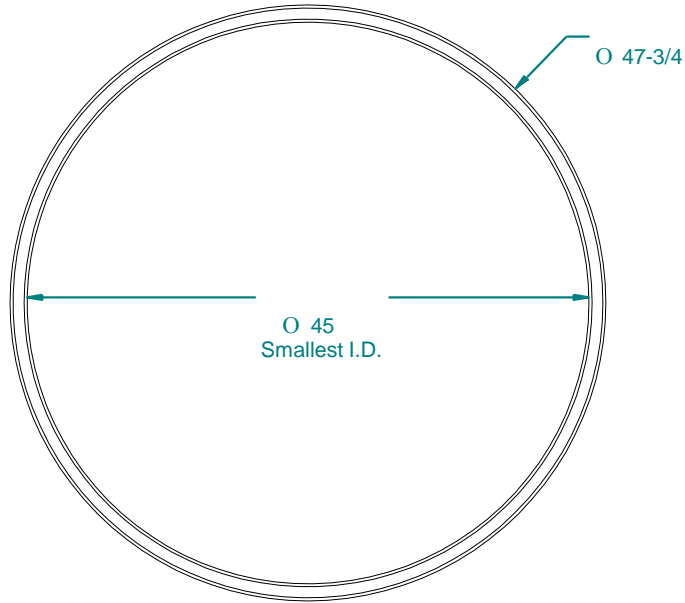



MAIN PRODUCT INFORMATION

REVISION HISTORY

REV	DESCRIPTION	DATE	APPROVED	Revised By
010	Production Release	12/10/2012		

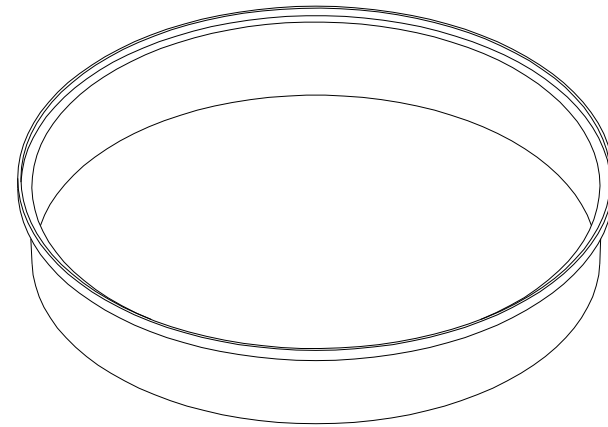
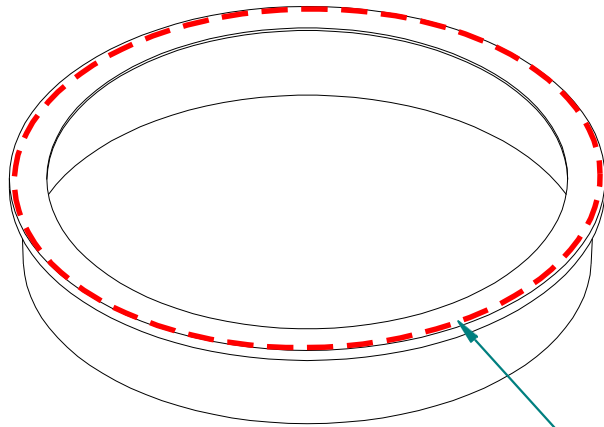


Weight: 24.332 lbm	NAME	DATE		
Wall Thickness: 0.250 in	Drawn By: S.Arant	8/31/2012		
Customer Part No: NA	Customer: er APPR		16160 Hwy 27 Lake Wales, FL 33859	
Print Date: 12/10/2012	Copyright © 2012 Dura-Cast Products, Inc.		Customer: Dura-Cast Products, Inc.	
Comments: - UNLESS OTHERWISE SPECIFIED DIMENSIONS ARE IN INCHES - Std Radii 3/16"	UNLESS OTHERWISE SPECIFIED TOLERANCES ARE: DIMS > 10" ±1% DIMS < 10" ±0.100 WALL THICKNESS ±20% FLATNESS ±.030 in/in	Part Title: 50 Gallon Open Top Tank		
		File Name: 501050 50 Gallon Open Top Tank 2012-12-10.dft		
		Size: A	Material: LLDPE 939	Rev: 010
Part No: 501050-A0114-XX1		Do Not Scale	Sheet: 10F3	

SECONDARY PRODUCT INFORMATION

REVISION HISTORY

REV	DESCRIPTION	DATE	APPROVED	Revised By
010	Production Release	12/10/2012		



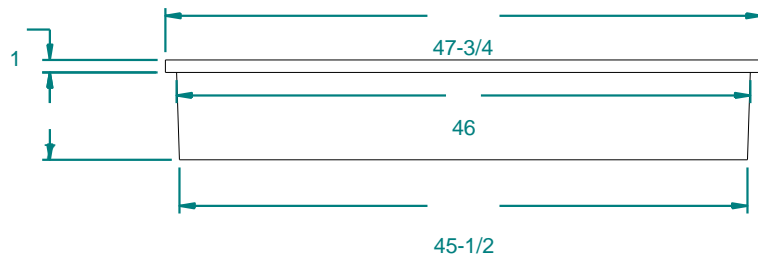
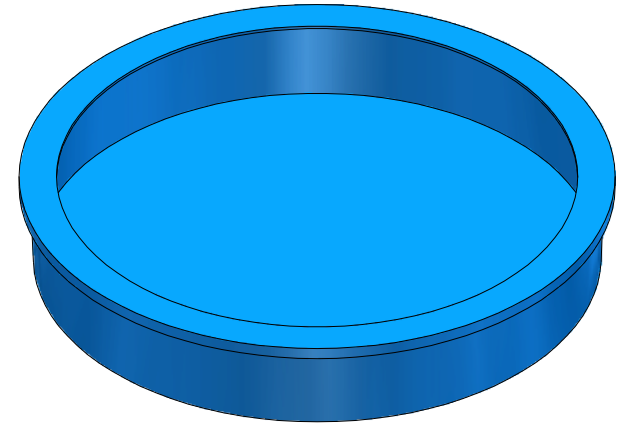
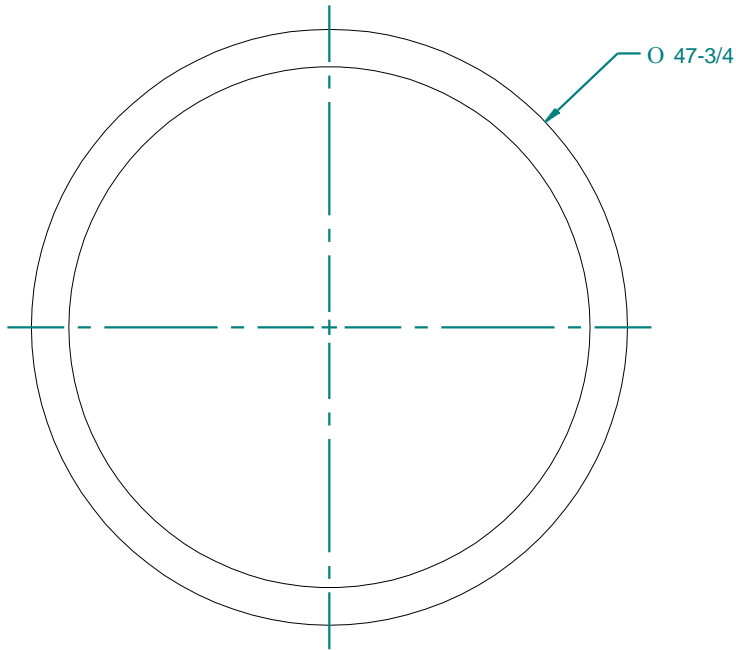
Use Ball Router to Remove Molded Top


Weight: 27.592 lbm	NAME	DATE	
Wall Thickness: 0.250 in	Drawn By: S.Arant	8/31/2012	
Customer Part No: NA	Customer: Dura-Cast Products, Inc.	16160 Hwy 27 Lake Wales, FL 33859	
Print Date: 12/10/2012	Copyright © 2012 Dura-Cast Products, Inc.	Part Title: 50 Gallon Open Top Tank	
Comments: - UNLESS OTHERWISE SPECIFIED DIMENSIONS ARE IN INCHES - Std Radii 3/16"	UNLESS OTHERWISE SPECIFIED TOLERANCES ARE: DIMS > 10" ± 1% DIMS < 10" ± 0.100 WALL THICKNESS ± 20% FLATNESS ± .030 in/in	File Name: 501050 50 Gallon Open Top Tank 2012-12-10.dft	Rev: 010
		Size: A	Material: LLDPE 939
	Part No: 501050-A0114XX1	Do Not Scale	Sheet: 2 OF 3

MOLDED PRODUCT INFORMATION

REVISION HISTORY

REV	DESCRIPTION	DATE	APPROVED	Revised By
010	Production Release	12/10/2012		



Weight: 27.592 lbm	NAME	DATE	
Wall Thickness: 0.250 in	Drawn By: S.Arant	8/31/2012	
Customer Part No: NA	Customer: Dura-Cast Products, Inc.	16160 Hwy 27 Lake Wales, FL 33859	Customer:
Print Date: 12/10/2012	Copyright © 2012 Dura-Cast Products, Inc.	Part Title: 50 Gallon Open Top Tank	File Name: 501050 50 Gallon Open Top Tank 2012-12-10.dft
Comments: - UNLESS OTHERWISE SPECIFIED DIMENSIONS ARE IN INCHES - Std Radii 3/16"	UNLESS OTHERWISE SPECIFIED TOLERANCES ARE: DIMS > 10" ±1% DIMS < 10" ±0.100 WALL THICKNESS ±20% FLATNESS ±.030 in/in	Material: LLDPE 939	Rev: 010
		Part No: 501050-A0114XX1	Do Not Scale