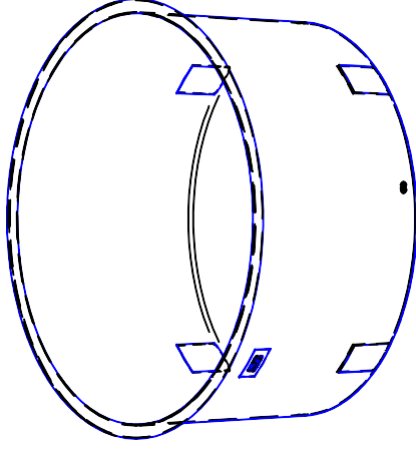


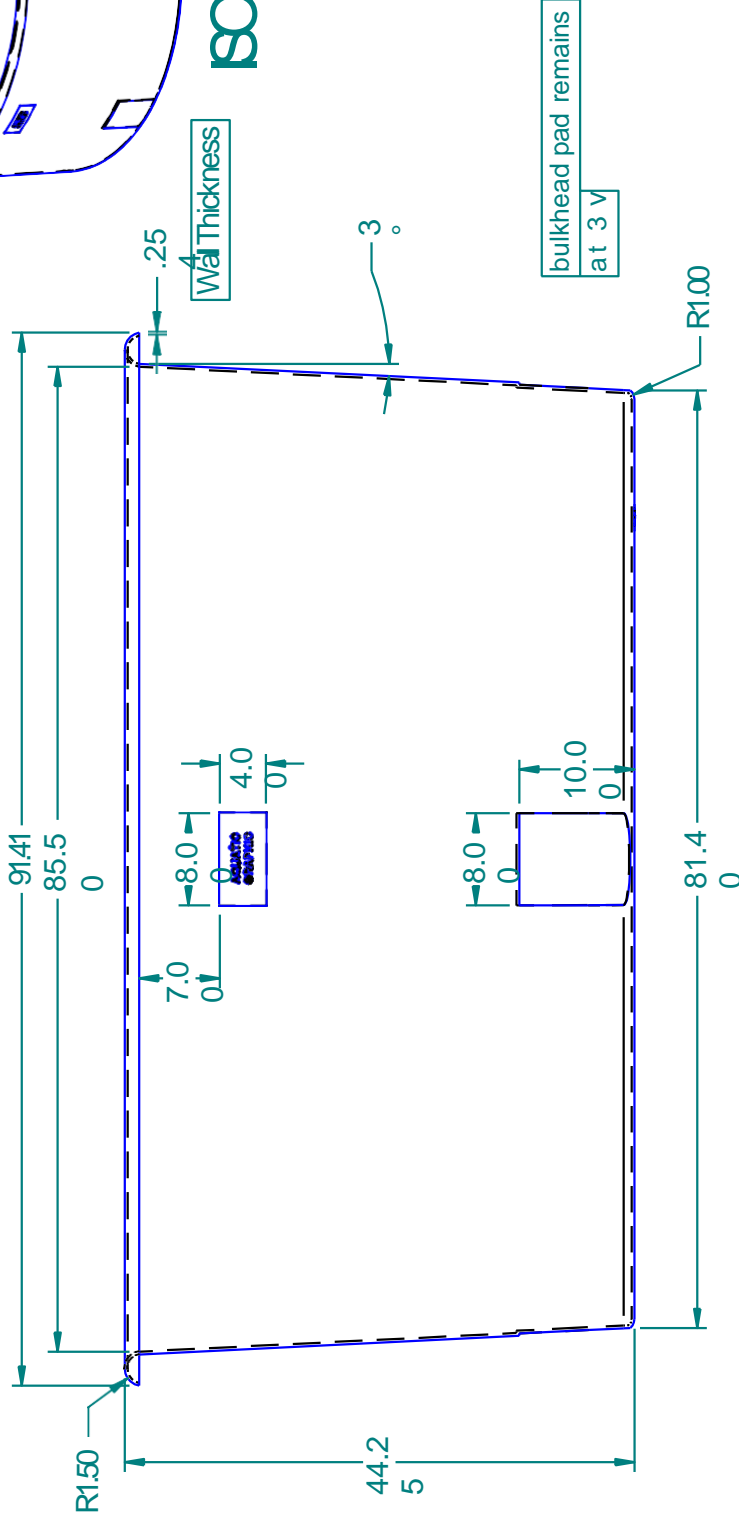
REVISION HISTORY

RE	DESCRIPTION	DATE	APPROVED
V	increased draft angle from 2 to 3 degrees	2/11/04	

1 released for production 2/11/04



ISO View



Front View



Tank Capacity: 1000 Gallons

NA	DATE
ME	2/19/2004
Michael	
Michael	
Michael	

16160 Hwy 27 Lake Wales, FL 33859

TITLE 1000 Gallon Open Top

E	MATERIAL	SIZE	REV
	MDPE(14)Blue		1

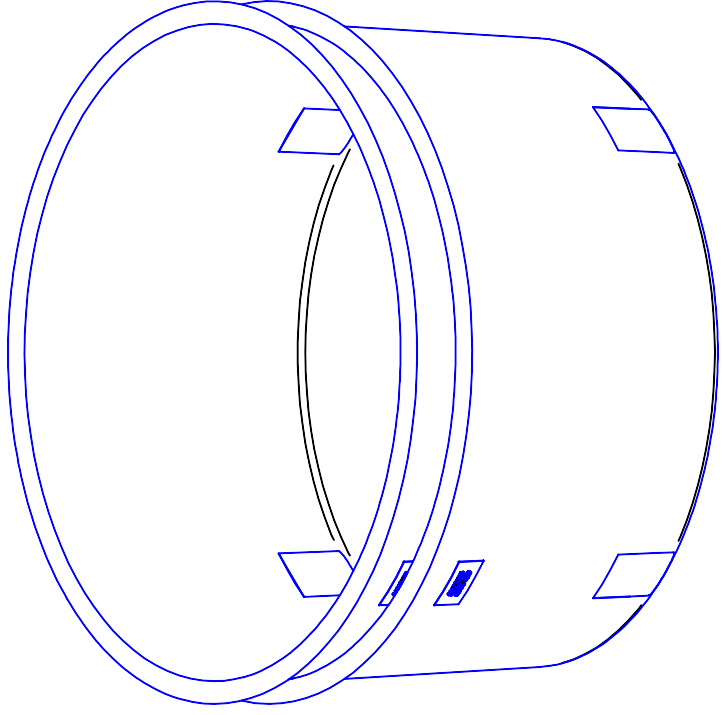
FILENAME: WT1000.dft

PART#: 501000 WEGHT: 48587/lbm SHEET: OF 3

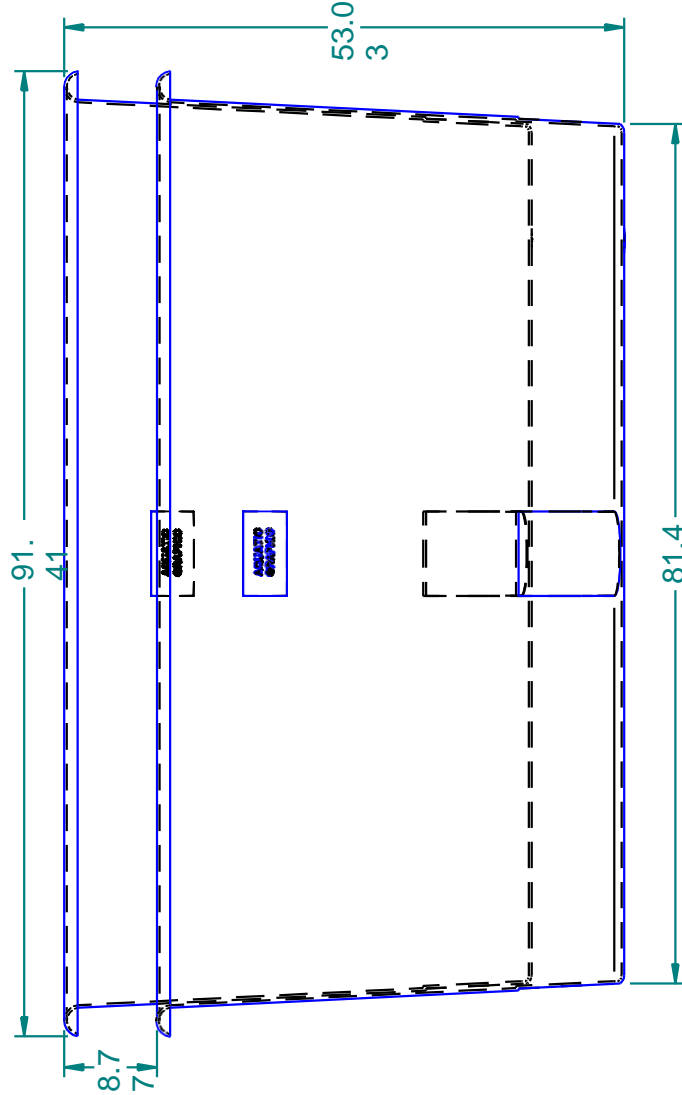
UNLESS OTHERWISE SPECIFIED
DIMENSIONS ARE IN INCHES
ANGLES ±0.5°
2 PL ±0.125" 3 PL ±0.060"

REVISION HISTORY

RE	DESCRIPTION	DATE	APPROVED
V	increased draft angle from 2 to 3 degrees	2/11/04	
1	released for production	2/11/04	



ISO View Nested



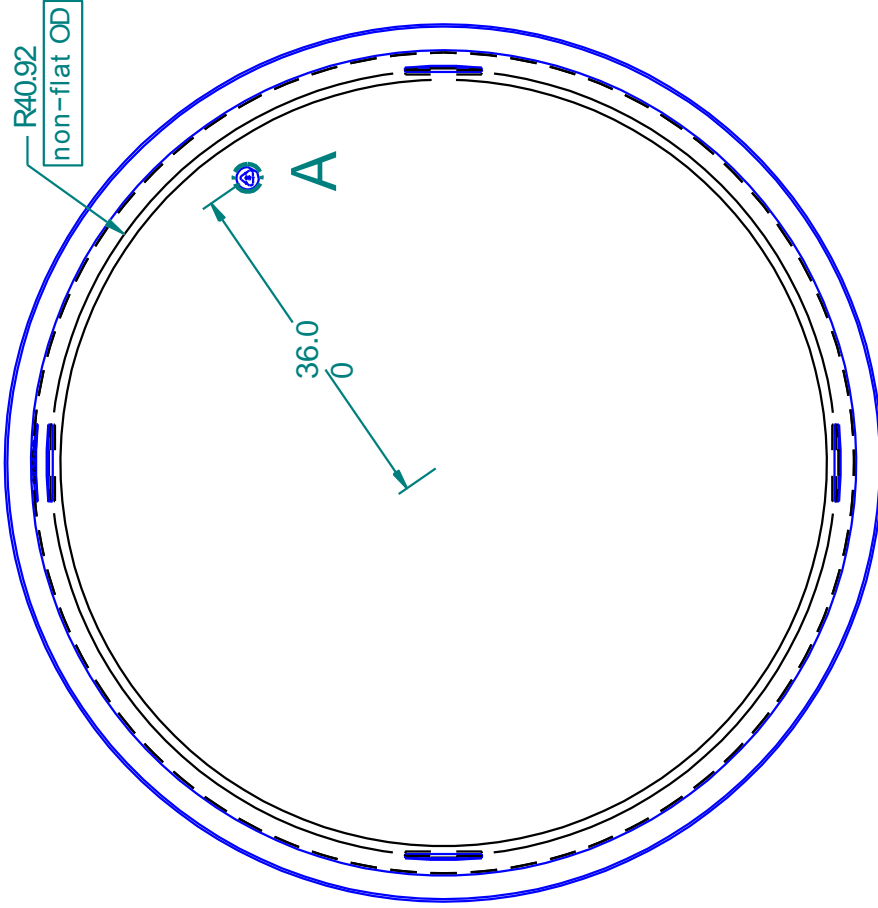
Nested View

Tank Capacity: 1000 Gallons	
NA	DATE
ME	2/19/2004
CHECKED	Michael1
ENG APPR	
MGR APPR	
UNLESS OTHERWISE SPECIFIED DIMENSIONS ARE IN INCHES ANGLES ±0.5° 2 PL ±0.125" 3 PL ±0.060"	

DURACAST	
16160 Hwy 27 Lake Wales, FL 33859	
TITL	1000 Gallon Open Top
E	MATERIAL: MDPE (14) Blue
SIZE	FILE NAME: WT1000.dft
REV	1
PART#	501000
WEIGHT	148587/lbm
SHEET 2 OF 3	

REVISION HISTORY

RE	DESCRIPTION	DATE	APPROVED
V	increased draft angle from 2 to 3 degrees	2/11/04	
1	released for production	2/11/04	



Bottom View

Note: Logo location not critical, cannot be on center.

Recycle Logo
#2, HDPE



DETAILA

Tank Capacity: 1000 Gallons	
NA	DATE
ME	2/19/2004
CHECKED Michael	
ENG APPR	
MGR APPR	
UNLESS OTHERWISE SPECIFIED DIMENSIONS ARE IN INCHES ANGLES ±0.5° 2 PL ±0.125" 3 PL ±0.060"	

Dura-Cast Products INC. <small>Advancing Plastics for the Future</small>	
16160 Hwy 27 Lake Wales, FL 33859	
TITLE	1000 Gallon Open Top
SIZE	E MATERIAL: MDPE (14) Blue
FILE NAME	WT1000.dft
PART#	501000
WEIGHT	148587/lbm
SHEET 3 OF 3	