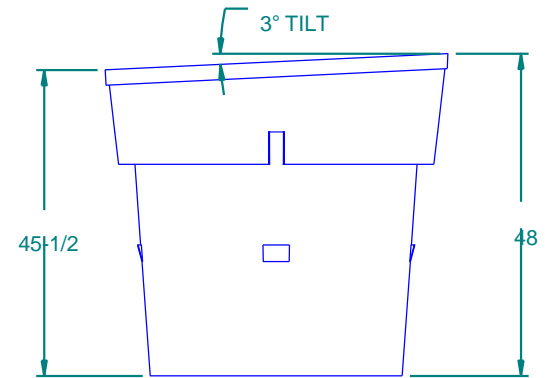
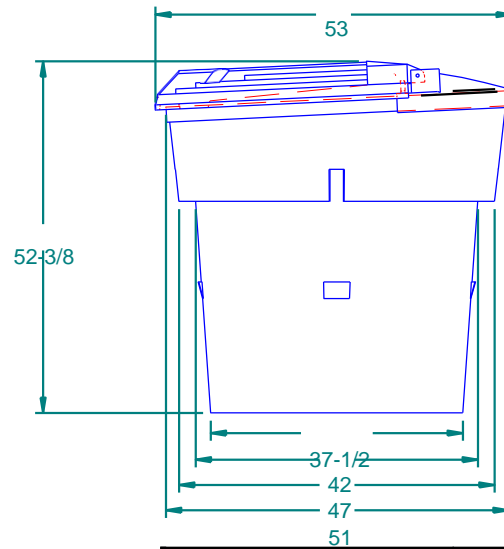
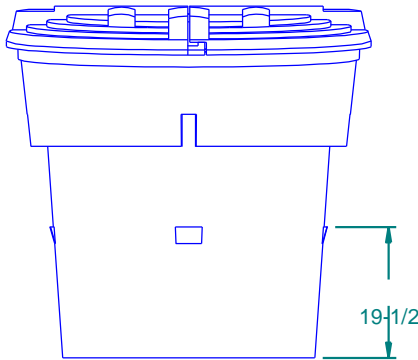
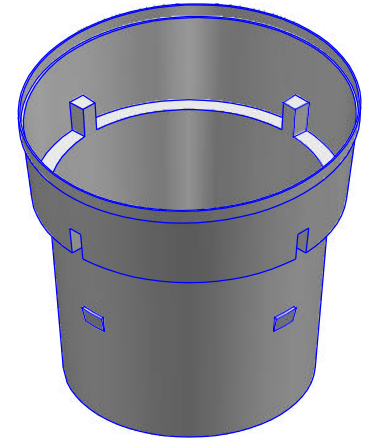
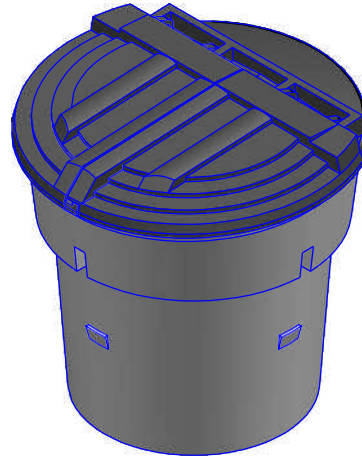
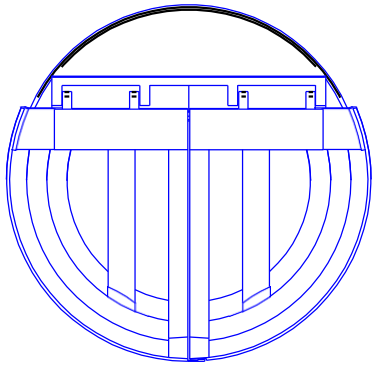



MAIN PRODUCT INFORMATION

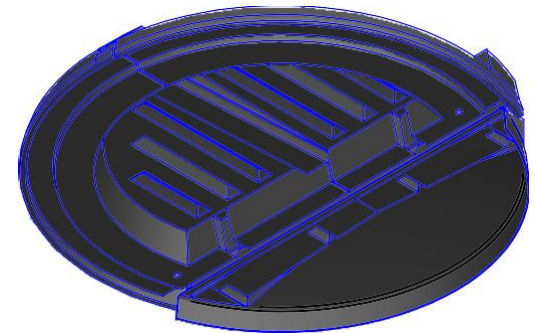
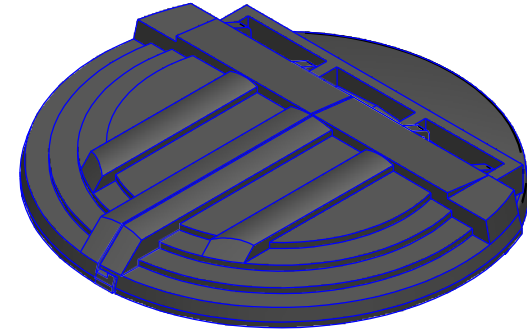
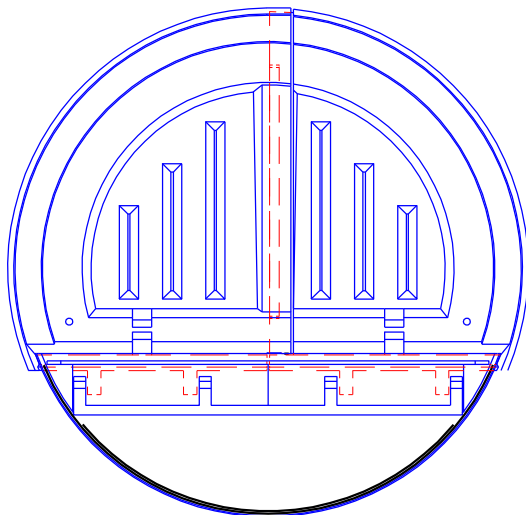
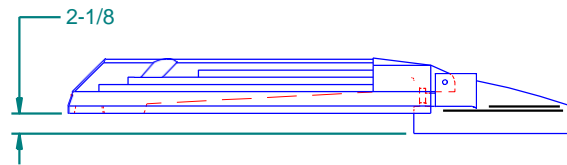
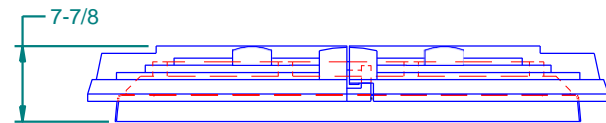
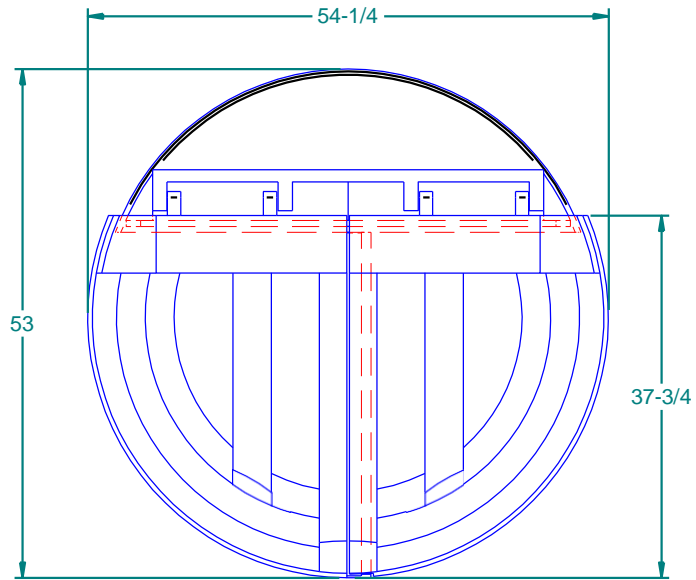
REVISION HISTORY

| REV | DESCRIPTION      | DATE     | APPROVED | Revised By |
|-----|------------------|----------|----------|------------|
| 00  | PRODUCT RELEASED | 09/25/09 |          |            |




|   |   |              |  |
|---|---|--------------|--|
| Weight: 0.000 lbm   | NAME  | DATE         | <br>16160 Hwy 27 Lake Wales, FL 33859 |
| Wall Thickness: Name?:Thinwall_1_Thickness  | Drawn By: mnegron   | 8/17/2009    |  |
| Customer Part No: Name?:Customer Part No  | Customer: AFPR  |              | Customer: Dura-Cast Products, Inc.   |
| Print Date: 9/29/2009   | Copyright © 2007 Dura-Cast Products, Inc.                   |              | Part Title: 300 Gal Refuse Container - Split Lid   |
| Comments:<br>- UNLESS OTHERWISE SPECIFIED DIMENSIONS ARE IN INCHES<br>- Std Radii 3/16" | Tolerance:<br>UNLESS OTHERWISE SPECIFIED TOLERANCES ARE ±1% |              | File Name: 300 Gal Refuse - Split Lid.dft  |
|   | Size: A   | Material:    | Rev: 00  |
| Part No:  |   | Do Not Scale | Sheet: 10 of 6   |

LID ASSEMBLY INFORMATION



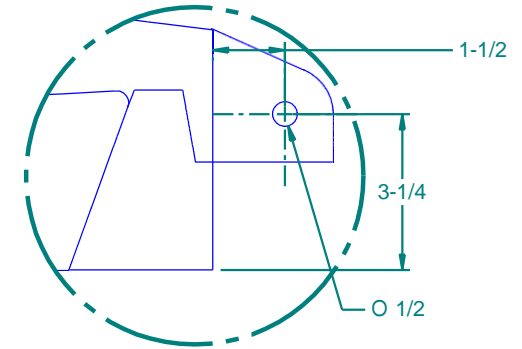
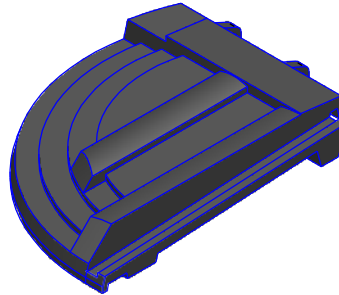
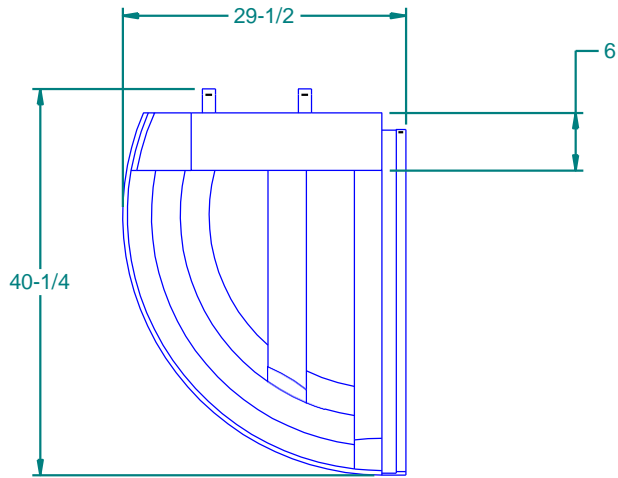
REVISION HISTORY

| REV | DESCRIPTION      | DATE     | APPROVED | Revised By |
|-----|------------------|----------|----------|------------|
| 00  | PRODUCT RELEASED | 09/25/09 |          |            |

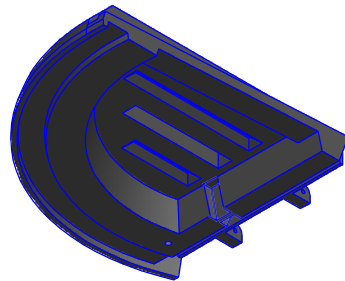
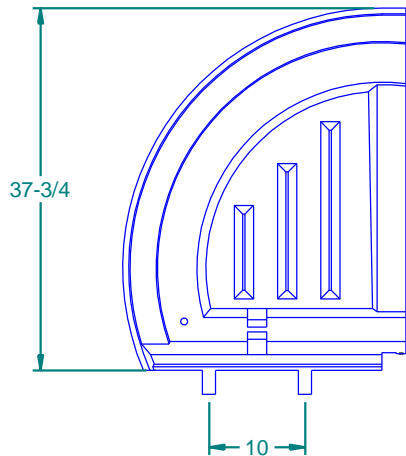
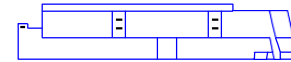
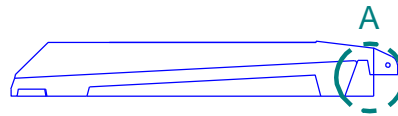
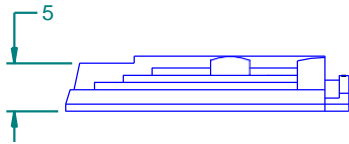
|  |   |              |  |
|--|---|--------------|--|
| Weight: 0.000 lbm  | NAME  | DATE         |  <p>16160 Hwy 27 Lake Wales, FL 33859</p> |
| Wall Thickness: Name?:Thinwall_1_Thickness   | Drawn By: mnegron   | 8/17/2009    |  |
| Customer Part No: Name?:Customer PartNo  | Customer APPR   |              | Customer: Dura-Cast Products, Inc.   |
| Print Date: 9/29/2009  | Copyright © 2007<br>Dura-Cast Products, Inc.                |              | Part Title: 300 Gal Refuse Container - Split Lid   |
| Comments:<br>- UNLESS OTHERWISE SPECIFIED<br>DIMENSIONS ARE IN INCHES<br>- Std Radii 3/16" | Tolerance: UNLESS OTHERWISE SPECIFIED<br>TOLERANCES ARE ±1% |              | File Name: 300 Gal Refuse - Split Lid.dft  |
|  | Size: A   | Material:    | Rev: 00  |
|  | Part No:  | Do Not Scale | Sheet: 2 OF 6  |


SPLIT LID: LEFT SIDE

MOLDED AND FINISHED DRAWING  
FINISH PART AS SHOWN



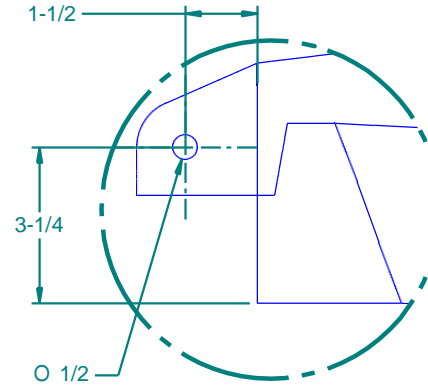
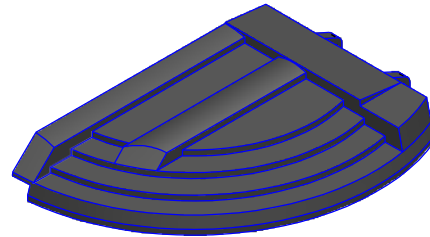
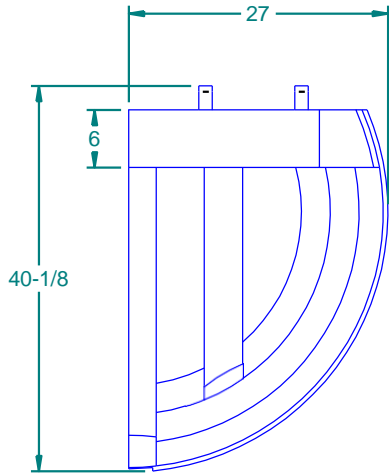
DETAIL A



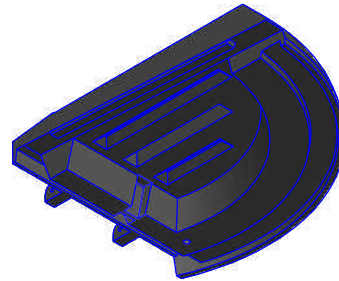
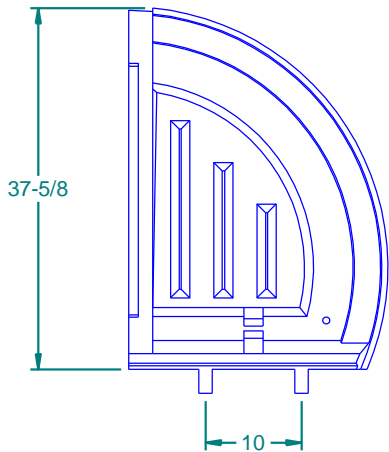
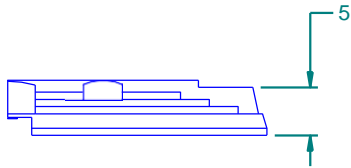
|  |   |              |  |
|--|---|--------------|--|
| Weight: 0.000 lbm  | NAME  | DATE         | <br>16160 Hwy 27 Lake Wales, FL 33859 |
| Wall Thickness: Name?:Thinwall_1_Thickness   | Drawn By: mnegron   | 8/17/2009    |  |
| Customer Part No: Name?:Customer PartNo  | Customer APPR   |              | Customer: Dura-Cast Products, Inc.   |
| Print Date: 9/29/2009  | Copyright © 2007<br>Dura-Cast Products, Inc.                |              | Part Title: 300 Gal Refuse Container - Split Lid   |
| Comments:<br>- UNLESS OTHERWISE SPECIFIED<br>DIMENSIONS ARE IN INCHES<br>- Std Radii 3/16" | Tolerance: UNLESS OTHERWISE SPECIFIED<br>TOLERANCES ARE ±1% |              | File Name: 300 Gal Refuse - Split Lid.dft  |
|  | Size: A   | Material:    | Rev: 00  |
|  | Part No: 652310-A0101XX1                                    | Do Not Scale | Sheet: 3 OF 6  |


SPLIT LID: RIGHT SIDE

MOLDED AND FINISHED DRAWING  
FINISH PART AS SHOWN



DETAIL E

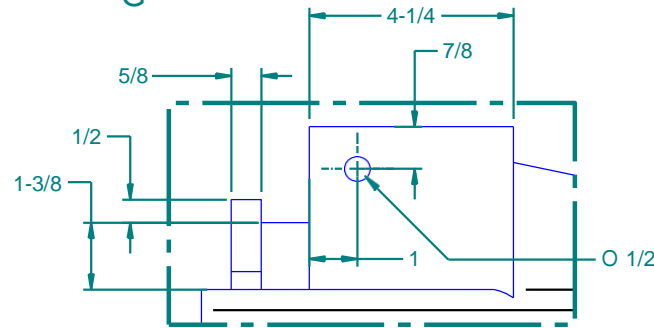
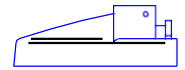
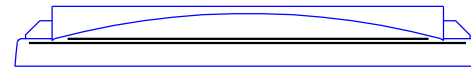
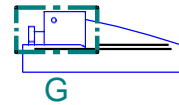
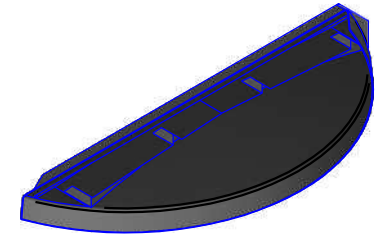
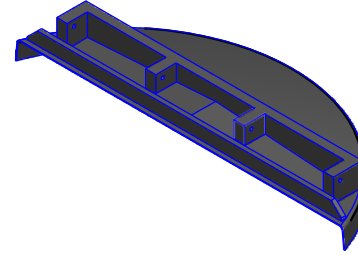
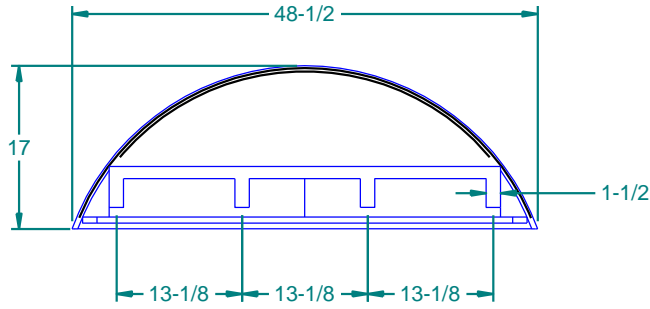


|  |   |              |  |     |
|--|---|--------------|--|-----|
| Weight: 0.000 lbm  | NAME  | DATE         | <br>16160 Hwy 27 Lake Wales, FL 33859 |     |
| Wall Thickness: Name?:Thinwall_1_Thickness   | Drawn By: mnegron   | 8/17/2009    |  |     |
| Customer Part No: Name?:Customer PartNo  | Customer APPR   |              | Customer: Dura-Cast Products, Inc.   |     |
| Print Date: 9/29/2009  | Copyright © 2007<br>Dura-Cast Products, Inc.                |              | Part Title: 300 Gal Refuse Container - Split Lid   |     |
| Comments:<br>- UNLESS OTHERWISE SPECIFIED<br>DIMENSIONS ARE IN INCHES<br>- Std Radii 3/16" | Tolerance: UNLESS OTHERWISE SPECIFIED<br>TOLERANCES ARE ±1% |              | File Name: 300 Gal Refuse - Split Lid.dft  |     |
|  | Size: A   | Material:    | Rev: 00  |     |
|  | Part No: 651310-A0101XX1                                    | Do Not Scale | Sheet: 4   | CF6 |

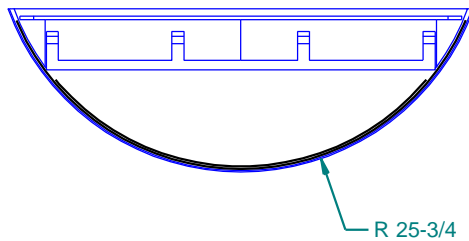
SPLIT LID: REAR SIDE  
FINISH PART DRAWING

REVISION HISTORY

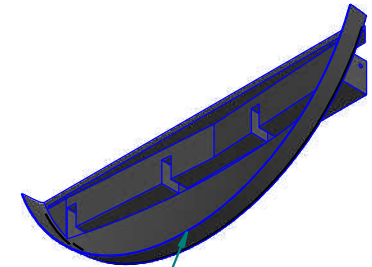
| REV | DESCRIPTION      | DATE     | APPROVED | Revised By |
|-----|------------------|----------|----------|------------|
| 00  | PRODUCT RELEASED | 09/25/09 |          |            |




DETAIL G



SEPARATE TWO PARTS

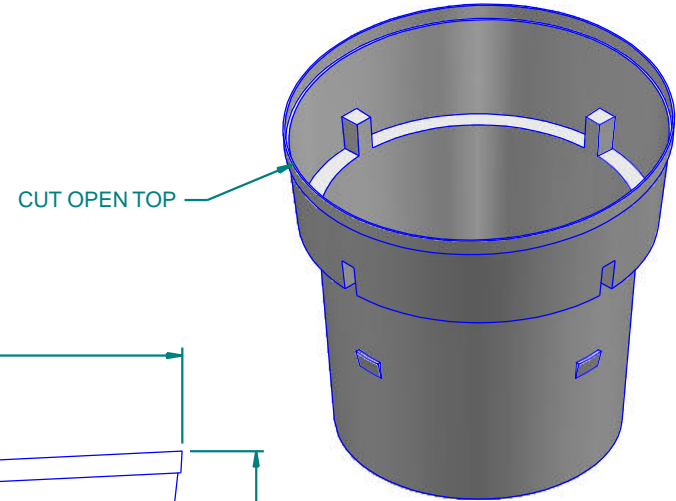
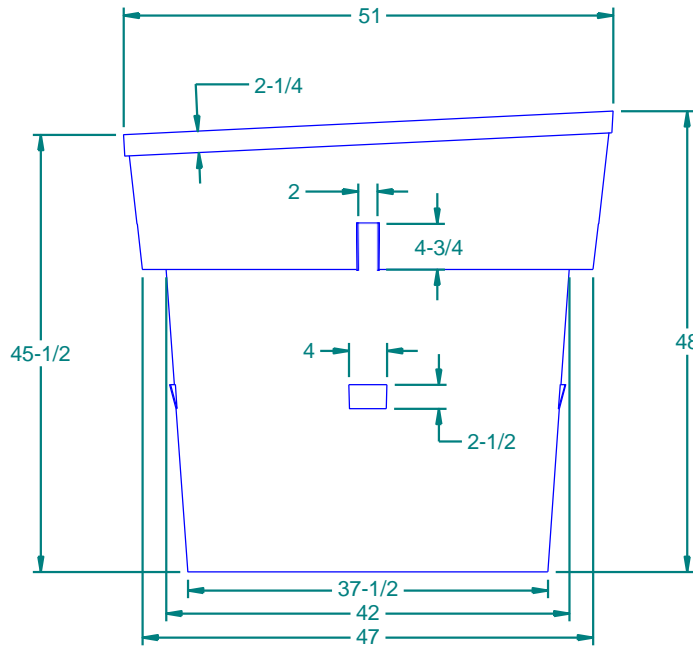
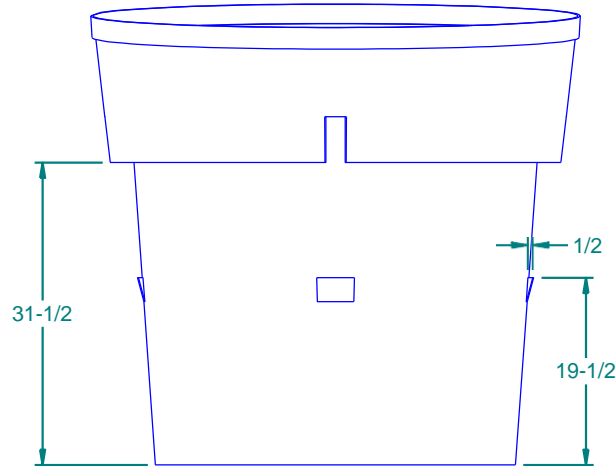
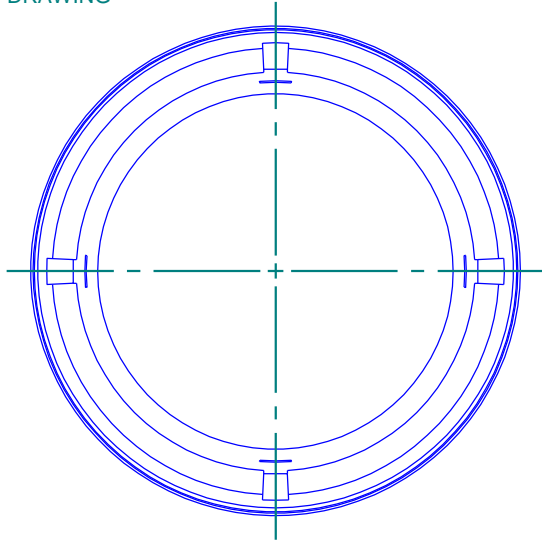



|  |  |              |   |
|--|--|--------------|---|
| Weight: 0.000 lbm  | NAME   | DATE         |  |
| Wall Thickness: Name?:Thinwall_1_Thickness   | Drawn By: mnegron  | 8/17/2009    |   |
| Customer Part No: Name?:Customer PartNo  | Customer APPR  |              | Customer: 16160 Hwy 27 Lake Wales, FL 33859<br>Dura-Cast Products, Inc.               |
| Print Date: 9/29/2009  | Copyright © 2007<br>Dura-Cast Products, Inc.                   |              | Part Title: 300 Gal Refuse Container - Split Lid                                      |
| Comments:<br>- UNLESS OTHERWISE SPECIFIED<br>DIMENSIONS ARE IN INCHES<br>- Std Radii 3/16" | Tolerance:<br>UNLESS OTHERWISE SPECIFIED<br>TOLERANCES ARE ±1% |              | File Name: 300 Gal Refuse - Split Lid.dft   |
|  | Size: A  | Material:    | Rev: 00   |
| Part No: 653300-A0101XX1   |  | Do Not Scale | Sheet: 5 OF 6   |

CONTAINER  
FINISH PART DRAWING

REVISION HISTORY

| REV | DESCRIPTION      | DATE     | APPROVED | Revised By |
|-----|------------------|----------|----------|------------|
| 00  | PRODUCT RELEASED | 09/25/09 |          |            |



|   |  |              |  |
|---|--|--------------|--|
| Weight: 0.000 lbm   | NAME   | DATE         |  <p>16160 Hwy 27 Lake Wales, FL 33859</p> |
| Wall Thickness: Name?:Thinwall_1_Thickness  | Drawn By: mnegron  | 8/17/2009    |  |
| Customer Part No: Name?:Customer PartNo   | Customer APPR  |              | Customer: Dura-Cast Products, Inc.   |
| Print Date: 9/29/2009   | Copyright © 2007 Dura-Cast Products, Inc.                |              | Part Title: 300 Gal Refuse Container - Split Lid   |
| Comments:<br>- UNLESS OTHERWISE SPECIFIED DIMENSIONS ARE IN INCHES<br>- Std Radii 3/16" | Tolerance: UNLESS OTHERWISE SPECIFIED TOLERANCES ARE ±1% |              | File Name: 300 Gal Refuse - Split Lid.dft  |
|   | Size: A  | Material:    | Rev: 00  |
| Part No: 650300-A0301XX1  |  | Do Not Scale | Sheet: 6 OF 6  |