

REVISION HISTORY			
REV	DESCRIPTION	DATE	APPROVED

tanks are designed to be used in a horizontal position. rectangular tanks used in vertical position may require additional wall thickness or external support

tanks are not rated for gasoline or aromatic solvents

tank resins are fully uv stabilized

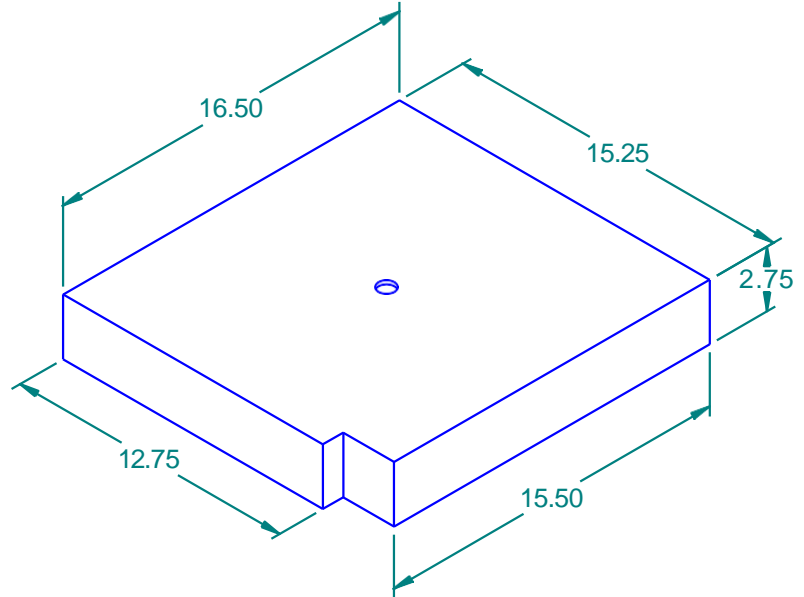
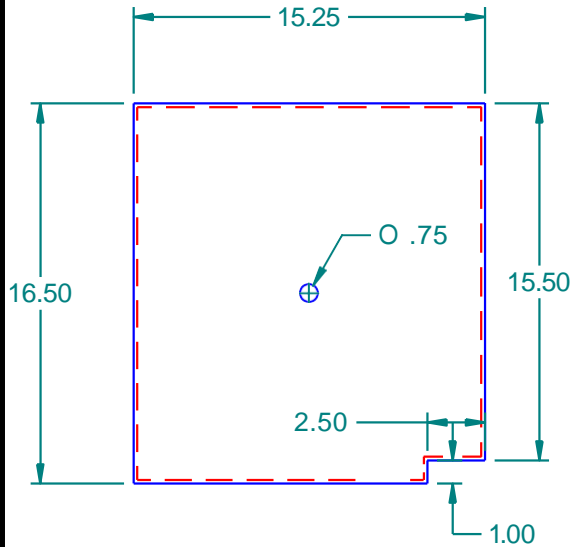
most size tanks are available in standard wall thickness shown or heavy duty

allow +/- 1% on tank dimensions for overall size variances

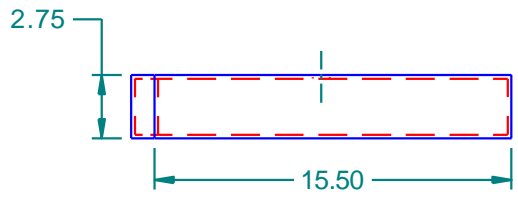
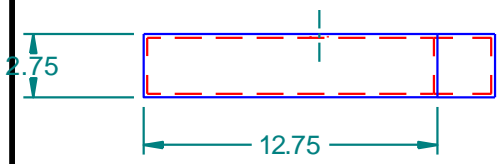
vent hole on tank will be welded shut if not used for fitting location

tank plastic resin is fda compliant based on manufacturer's specifications


tanks meet abyc and uscg requirements for marine water and holding tank applications



ISO View 270001



wall thickness: .160"

Tank Capacity: 2-1/2 Gallons			 16160 Hwy 27 Lake Wales, FL 33859		
DRAWN	NAME	DATE			TITLE
	mputt	1/25/2004	2-1/2 Gallon Plastic Tank		
CHECKED			SIZE	MATERIAL	REV
			A	1 MDPE Natural	
			FILE NAME: 270001.dft		
			PART#: 270001	WEIGHT: 3.539 lbm	SHEET 1 OF 1

UNLESS OTHERWISE SPECIFIED  
 DIMENSIONS ARE IN INCHES  
 ANGLES ±0.5°  
 2 PL ±0.125" 3 PL ±0.060"