

tanks are designed to be used in a horizontal position. rectangular tanks used in vertical position may require additional wall thickness or external support

tanks are not rated for gasoline or aromatic solvents

tank resins are fully uv stabilized

most size tanks are available in standard wall thickness shown or heavy duty

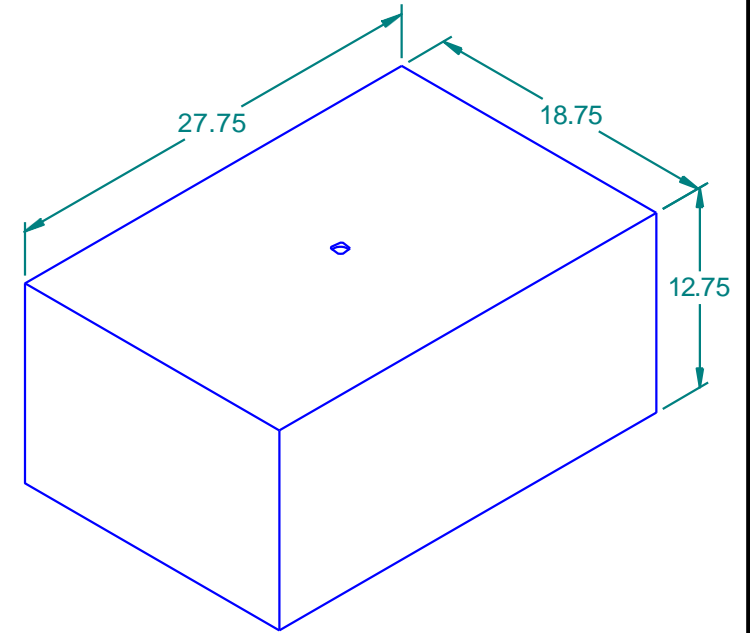
allow +/- 1% on tank dimensions for overall size variances

vent hole on tank will be welded shut if not used for fitting location

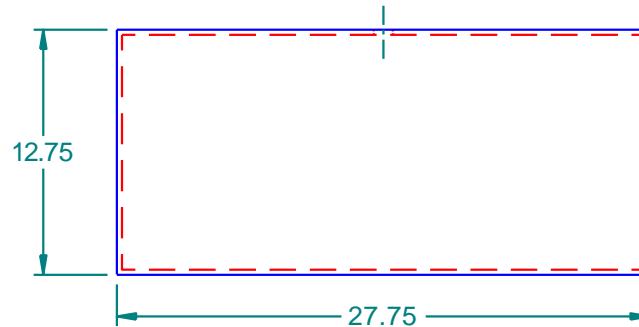
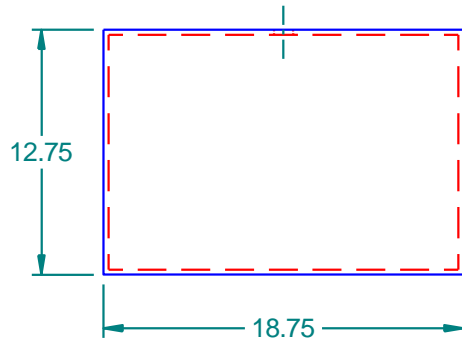
tank plastic resin is fda compliant based on manufacturer's specifications

tanks meet abyc and uscg requirements for marine water and holding tank applications

REVISION HISTORY			
REV	DESCRIPTION	DATE	APPROVED



ISO View 209028



wall thickness: .260"

Tank Capacity: 28 Gallons

	NAME	DATE
DRAWN	mputt	1/25/2004
CHECKED		
ENG APPR		
MGR APPR		

DURACAST
16160 Hwy 27 Lake Wales, FL 33859

TITLE 28 Gallon Plastic Tank

SIZE A	MATERIAL 1MDPE Natural	REV
------------------	-------------------------------	------------

FILE NAME: 209028.dft

PART# 209028	VEGHT 9.134 lbm	SHEET 1 OF 1
---------------------	------------------------	---------------------

UNLESS OTHERWISE SPECIFIED
DIMENSIONS ARE IN INCHES
ANGLES ±0.5°
2 PL ±0.125" 3 PL ±0.060"