

tanks are designed to be used in a horizontal position. rectangular tanks used in vertical position may require additional wall thickness or external support

tanks are not rated for gasoline or aromatic solvents

tank resins are fully uv stabilized

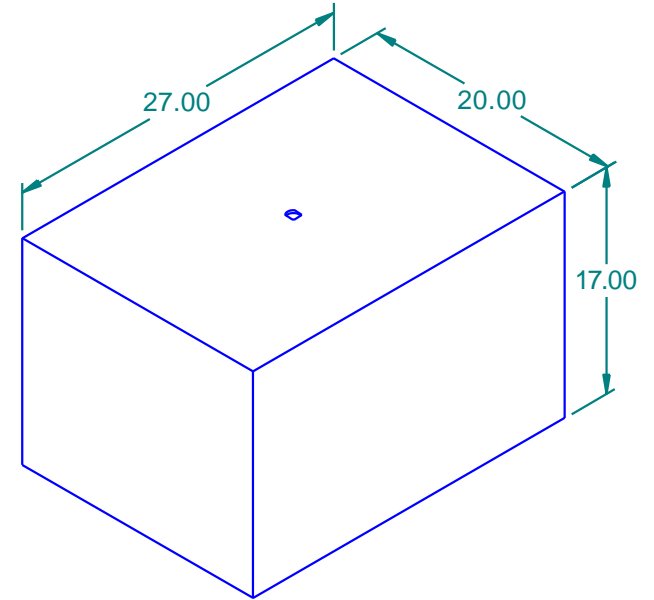
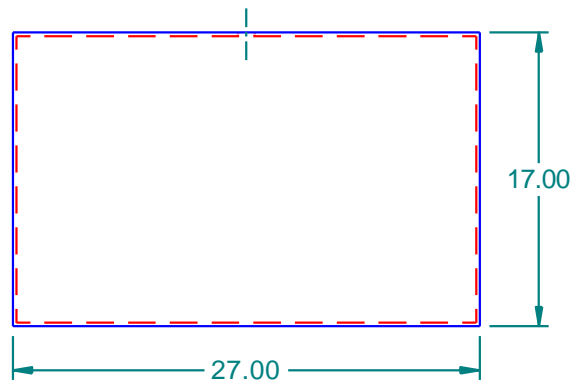
most size tanks are available in standard wall thickness shown or heavy duty

allow +/- 1% on tank dimensions for overall size variances

vent hole on tank will be welded shut if not used for fitting location

tank plastic resin is fda compliant based on manufacturer's specifications

tanks meet abyc and uscg requirements for marine water and holding tank applications




ISO View 208040

REVISION HISTORY			
REV	DESCRIPTION	DATE	APPROVED

wall thickness: .205"

Tank Capacity: 38 Gallons		
DRAWN	NAME	DATE
CHECKED		
ENG APPR		
MGR APPR		

		16160 Hwy 27 Lake Wales, FL 33859	
		TITLE 38 Gallon Plastic Tank	
SIZE	MATERIAL	REV	
A	1 MDPE Natural		
FILE NAME: 208040.dft			
PART#	WEIGHT	SHEET	
208040	18.297 lbm	1 OF 1	

UNLESS OTHERWISE SPECIFIED
 DIMENSIONS ARE IN INCHES
 ANGLES ± 0.5°
 2 PL ± 0.125" 3 PL ± 0.060"