

tanks are designed to be used in a horizontal position. rectangular tanks used in vertical position may require additional wall thickness or external support

tanks are not rated for gasoline or aromatic solvents

tank resins are fully uv stabilized

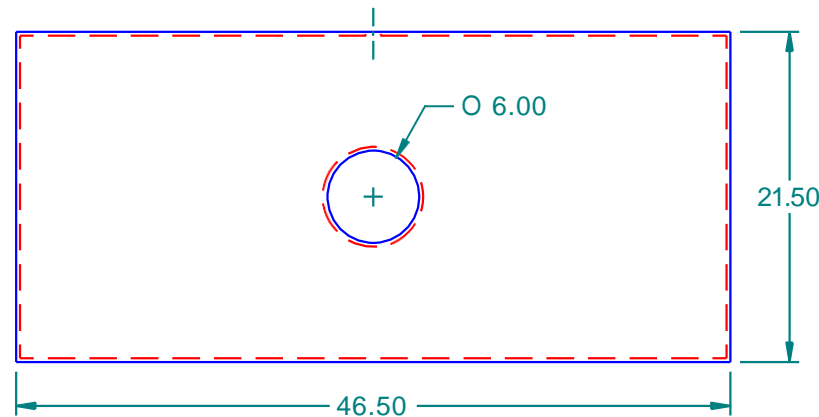
most size tanks are available in standard wall thickness shown or heavy duty

allow +/- 1% on tank dimensions for overall size variances

vent hole on tank will be welded shut if not used for fitting location

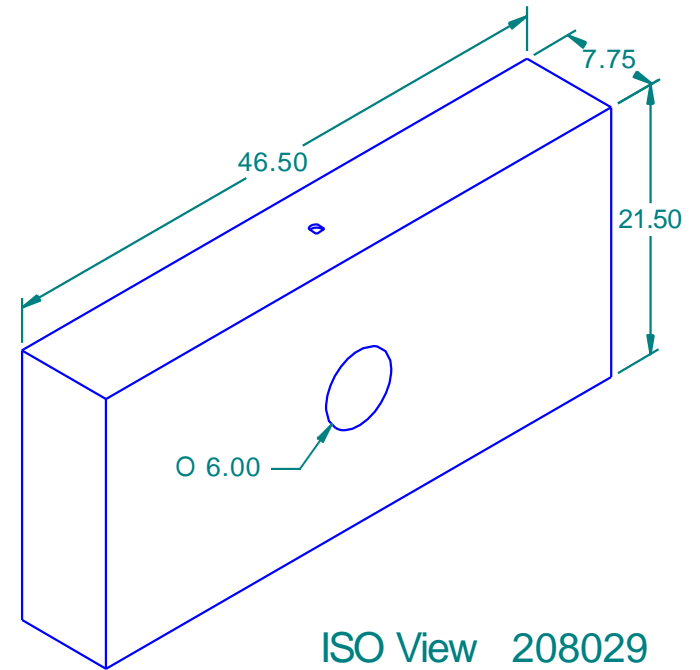
tank plastic resin is fda compliant based on manufacturer's specifications

tanks meet abyc and uscg requirements for marine water and holding tank applications



wall thickness: .250"

REVISION HISTORY			
REV	DESCRIPTION	DATE	APPROVED



Tank Capacity: 29 Gallons

	NAME	DATE
DRAWN	mputt	1/25/2004
CHECKED		
ENG APPR		
MGR APPR		

DURACAST
16160 Hwy 27 Lake Wales, FL 33859

TITLE 29 Gallon Plastic Tank

SIZE A	MATERIAL 1MDPE Natural	REV
------------------	-------------------------------	------------

FILE NAME: 208029.dft

PART# 208029	VEGHE 26.038 lbm	SHEET 1 OF 1
---------------------	-------------------------	---------------------

UNLESS OTHERWISE SPECIFIED
DIMENSIONS ARE IN INCHES
ANGLES ± 0.5°
2 PL ± 0.125° 3 PL ± 0.060°