

tanks are designed to be used in a horizontal position. rectangular tanks used in vertical position may require additional wall thickness or external support

tanks are not rated for gasoline or aromatic solvents

tank resins are fully uv stabilized

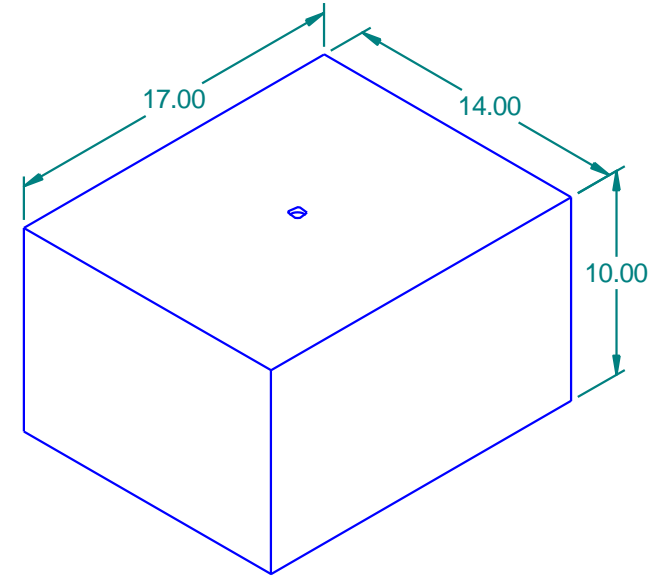
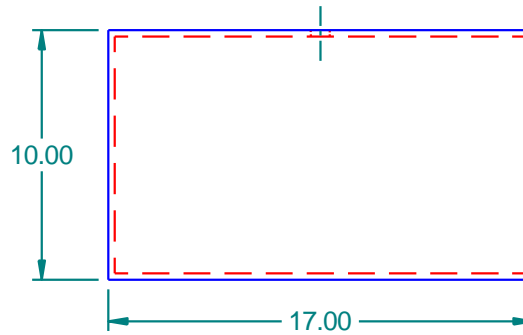
most size tanks are available in standard wall thickness shown or heavy duty

allow +/- 1% on tank dimensions for overall size variances

vent hole on tank will be welded shut if not used for fitting location

tank plastic resin is fda compliant based on manufacturer's specifications

tanks meet abyc and uscg requirements for marine water and holding tank applications



ISO View 208010

REVISION HISTORY			
REV	DESCRIPTION	DATE	APPROVED

Tank Capacity: 9 Gallons		
DRAWN	NAME	DATE
CHECKED		
ENG APPR		
MGR APPR		

16160 Hwy 27 Lake Wales, FL 33859	
TITLE 9 Gallon Plastic Tank	
SIZE A	MATERIAL 1 MDPE Natural
FILE NAME: 208010.dft	
PART# 208010	WEIGHT 9.313 lbm
SHEET 1 OF 1	

wall thickness: .260"

UNLESS OTHERWISE SPECIFIED
DIMENSIONS ARE IN INCHES
ANGLES ±0.5°
2 PL ±0.125 3 PL ±0.060"