

tanks are designed to be used in a horizontal position. rectangular tanks used in vertical position may require additional wall thickness or external support

tanks are not rated for gasoline or aromatic solvents

tank resins are fully uv stabilized

most size tanks are available in standard wall thickness shown or heavy duty

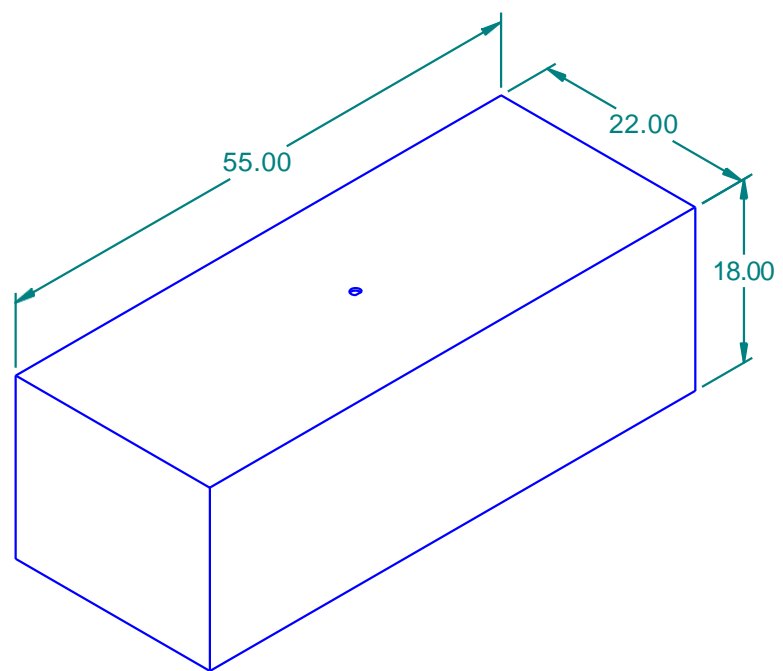
allow +/- 1% on tank dimensions for overall size variances

vent hole on tank will be welded shut if not used for fitting location

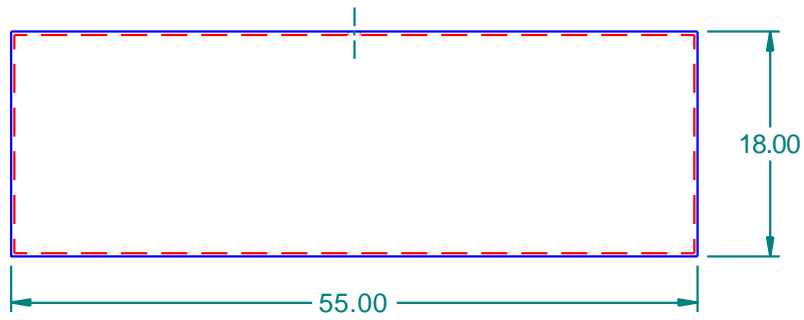
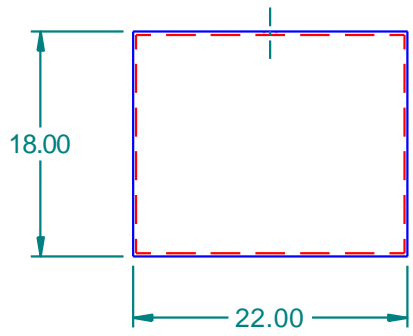
tank plastic resin is fda compliant based on manufacturer's specifications

tanks meet abyc and uscg requirements for marine water and holding tank applications


REVISION HISTORY			
REV	DESCRIPTION	DATE	APPROVED



ISO View 207095



wall thickness: .255"

Tank Capacity: 90 Gallons		 16160 Hwy 27 Lake Wales, FL 33859																						
<table border="1"> <thead> <tr> <th> </th> <th>NAME</th> <th>DATE</th> </tr> </thead> <tbody> <tr> <td>DRAWN</td> <td>mputt</td> <td>1/26/2004</td> </tr> <tr> <td>CHECKED</td> <td> </td> <td> </td> </tr> <tr> <td>ENG APPR</td> <td> </td> <td> </td> </tr> <tr> <td>MGR APPR</td> <td> </td> <td> </td> </tr> </tbody> </table>			NAME	DATE	DRAWN	mputt	1/26/2004	CHECKED			ENG APPR			MGR APPR			<table border="1"> <tr> <td colspan="2"><b>TITLE</b> 90 Gallon Plastic Tank</td> </tr> <tr> <td><b>SIZE</b> A</td> <td><b>MATERIAL</b> 1 MDPE Natural</td> </tr> <tr> <td colspan="2"><b>FILE NAME:</b> 207095.dft</td> </tr> <tr> <td><b>PART#</b> 207095</td> <td><b>WEIGHT</b> 44.172 lbm</td> </tr> </table>	<b>TITLE</b> 90 Gallon Plastic Tank		<b>SIZE</b> A	<b>MATERIAL</b> 1 MDPE Natural	<b>FILE NAME:</b> 207095.dft		<b>PART#</b> 207095
	NAME	DATE																						
DRAWN	mputt	1/26/2004																						
CHECKED																								
ENG APPR																								
MGR APPR																								
<b>TITLE</b> 90 Gallon Plastic Tank																								
<b>SIZE</b> A	<b>MATERIAL</b> 1 MDPE Natural																							
<b>FILE NAME:</b> 207095.dft																								
<b>PART#</b> 207095	<b>WEIGHT</b> 44.172 lbm																							
UNLESS OTHERWISE SPECIFIED DIMENSIONS ARE IN INCHES ANGLES ±0.5° 2 PL ±0.125° 3 PL ±0.060°		<b>SHEET 1 OF 1</b>																						