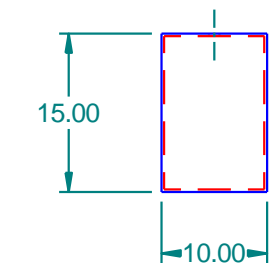


Ø 1.00



(A)

tanks are designed to be used in a horizontal position. rectangular tanks used in vertical position may require additional wall thickness or external support

tanks are not rated for gasoline or aromatic solvents

tank resins are fully uv stabilized

most size tanks are available in standard wall thickness shown or heavy duty

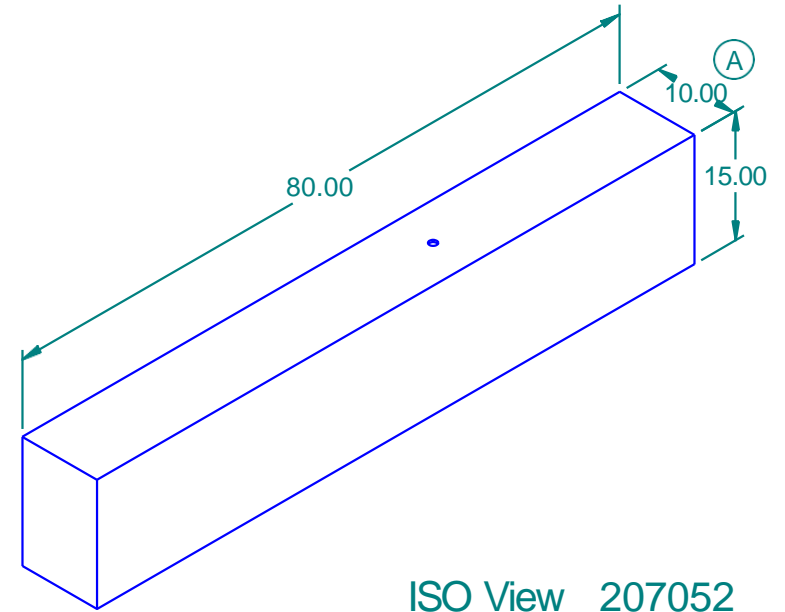
allow +/- 1% on tank dimensions for overall size variances

vent hole on tank will be welded shut if not used for fitting location

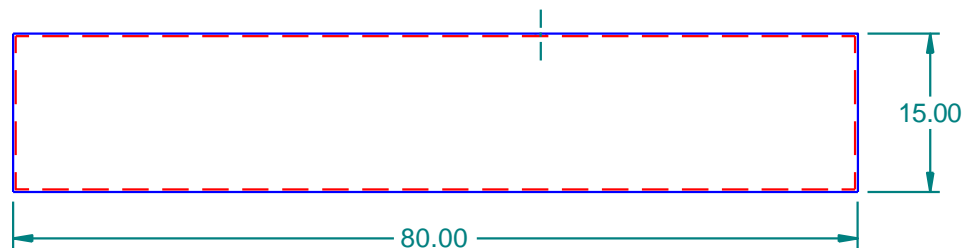
tank plastic resin is fda compliant based on manufacturer's specifications

tanks meet abyc and uscg requirements for marine water and holding tank applications

REVISION HISTORY			
REV	DESCRIPTION	DATE	APPROVED
(A)	tank width changed from 11" to 10"	09/16/2004	



ISO View 207052



wall thickness: .260"

Tank Capacity: 52 Gallons

	NAME	DATE
DRAWN	mputt	4/30/2004
CHECKED		
ENG APPR		
MGR APPR		

**DURACAST**  
16160 Hwy 27 Lake Wales, FL 33859

**TITLE** 52 Gallon Plastic Tank

<b>SIZE</b> A	<b>MATERIAL</b> 1 MDPE Natural	<b>REV</b>
------------------	--------------------------------	------------

**FILE NAME:** 207052.dft

<b>PART#</b> 207052	<b>WEIGHT</b> 37.045 lbm	<b>SHEET</b> 1 OF 1
---------------------	--------------------------	---------------------

UNLESS OTHERWISE SPECIFIED  
DIMENSIONS ARE IN INCHES  
ANGLES ± 0.5°  
2 PL ± 0.125° 3 PL ± 0.060°