

REVISION HISTORY

REV	DESCRIPTION	DATE	APPROVED

tanks are designed to be used in a horizontal position. rectangular tanks used in vertical position may require additional wall thickness or external support

tanks are not rated for gasoline or aromatic solvents

tank resins are fully uv stabilized

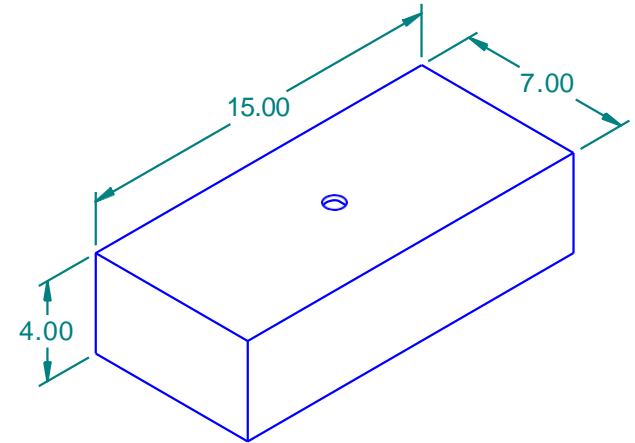
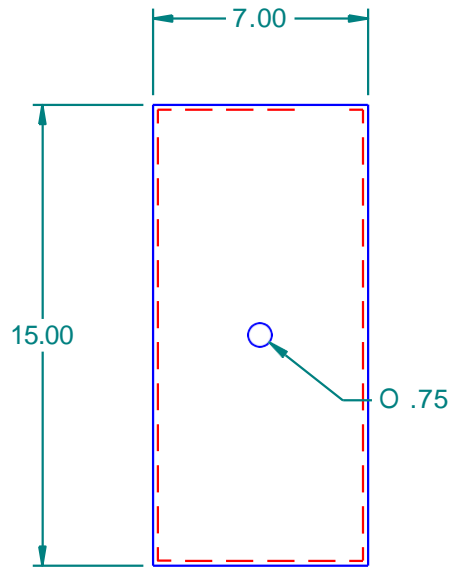
most size tanks are available in standard wall thickness shown or heavy duty

allow +/- 1% on tank dimensions for overall size variances

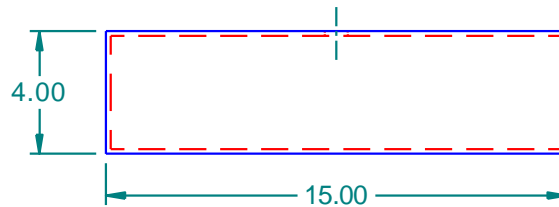
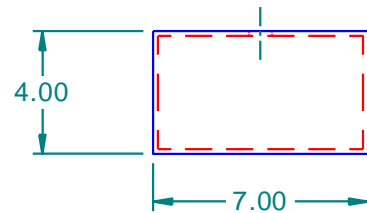
vent hole on tank will be welded shut if not used for fitting location

tank plastic resin is fda compliant based on manufacturer's specifications

tanks meet abyc and uscg requirements for marine water and holding tank applications




ISO View 207001



wall thickness: .160"

Tank Capacity: 1-1/2 Gallons

	NAME	DATE
DRAWN	mputt	1/25/2004
CHECKED		
ENG APPR		
MGR APPR		

 DURACAST 16160 Hwy 27 Lake Wales, FL 33859		
		TITLE 1-1/2 Gallon Plastic Tank
SIZE A	MATERIAL 1MDPE Natural	REV
FILE NAME: 207001.dft		
PART# 207001	WEIGHT 2.008 lbm	SHEET 1 OF 1

UNLESS OTHERWISE SPECIFIED
 DIMENSIONS ARE IN INCHES
 ANGLES ± 0.5°
 2 PL ± 0.125° 3 PL ± 0.060°