

REVISION HISTORY

REV	DESCRIPTION	DATE	APPROVED

tanks are designed to be used in a horizontal position. rectangular tanks used in vertical position may require additional wall thickness or external support

tanks are not rated for gasoline or aromatic solvents

tank resins are fully uv stabilized

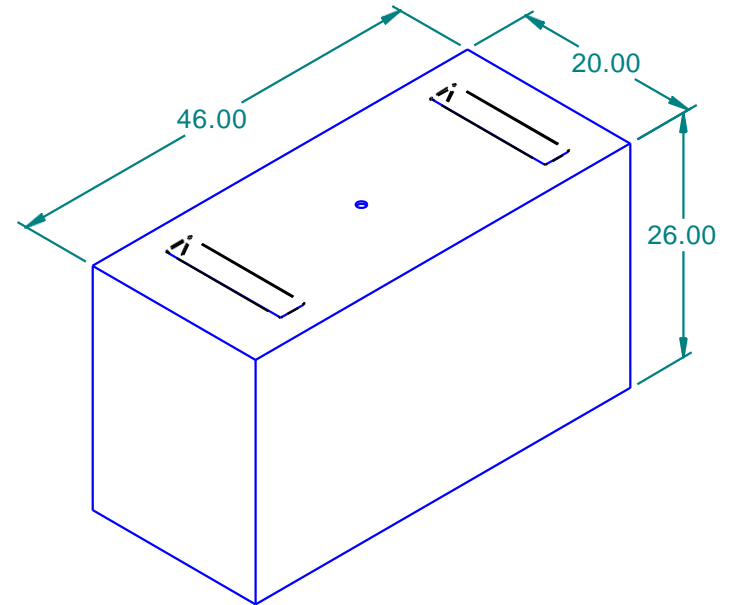
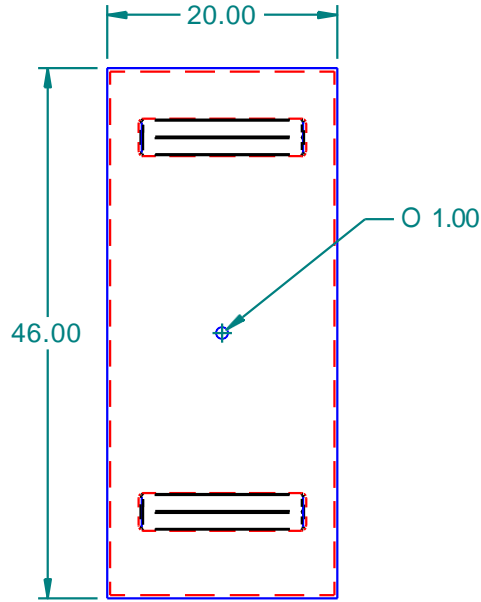
most size tanks are available in standard wall thickness shown or heavy duty

allow +/- 1% on tank dimensions for overall size variances

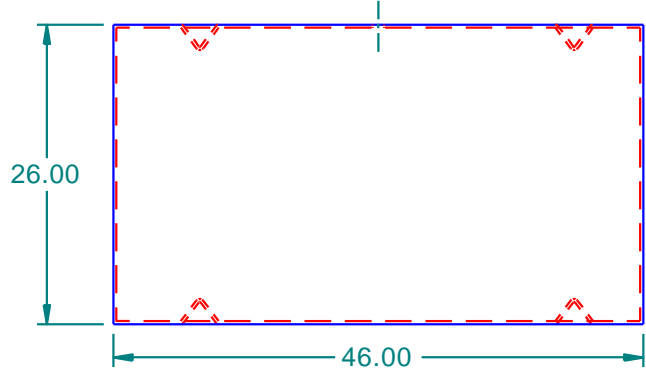
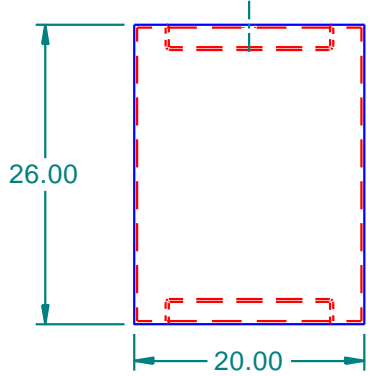
vent hole on tank will be welded shut if not used for fitting location

tank plastic resin is fda compliant based on manufacturer's specifications

tanks meet abyc and uscg requirements for marine water and holding tank applications



ISO View 200100



wall thickness: .270"

Tank Capacity: 100 Gallons		
	NAME	DATE
DRAWN	mputt	1/27/2004
CHECKED		
ENGAPPR		
MGRAPPR		

DURACAST
 16160 Hwy 27 Lake Wales, FL 33859

TITLE 100 Gallon Plastic Tank

SIZE A	MATERIAL 1MDPE Natural	REV
------------------	-------------------------------	------------

FILE NAME: 200100.dft

PART# 200100	WEIGHT 48.678 lbm	SHEET 1 OF 1
---------------------	--------------------------	---------------------

UNLESS OTHERWISE SPECIFIED
 DIMENSIONS ARE IN INCHES
 ANGLES ±0.5°
 2 PL ±0.125° 3 PL ±0.060°