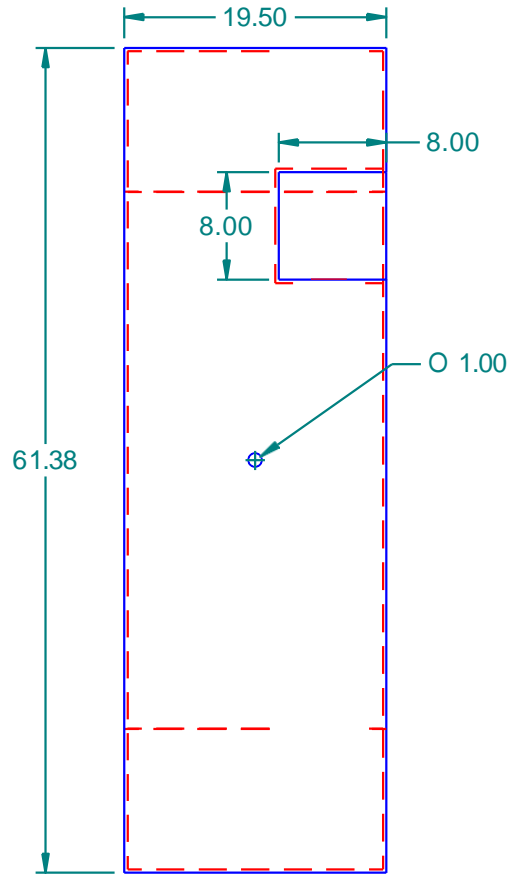


REVISION HISTORY

| REV | DESCRIPTION | DATE | APPROVED |
|-----|-------------|------|----------|
| | | | |



tanks are designed to be used in a horizontal position. rectangular tanks used in vertical position may require additional wall thickness or external support

tanks are not rated for gasoline or aromatic solvents

tank resins are fully uv stabilized

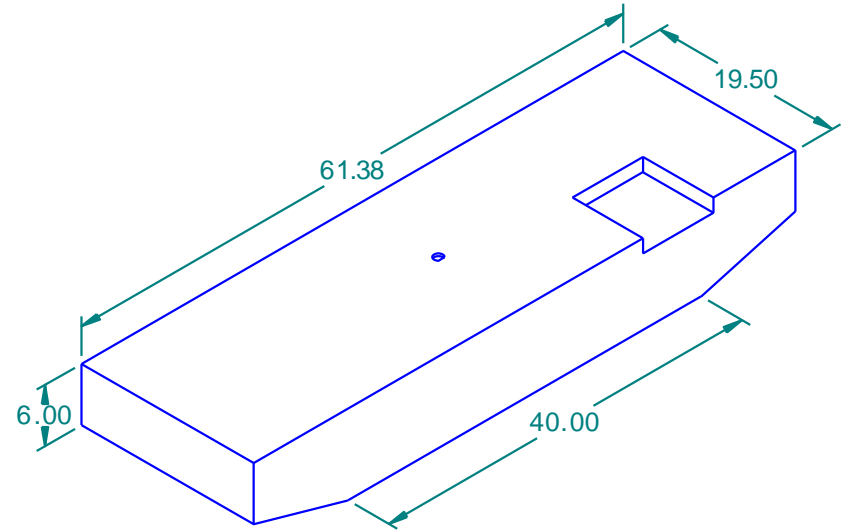
most size tanks are available in standard wall thickness shown or heavy duty

allow +/- 1% on tank dimensions for overall size variances

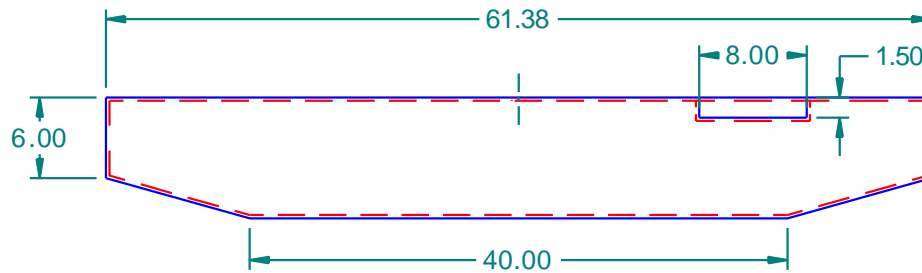
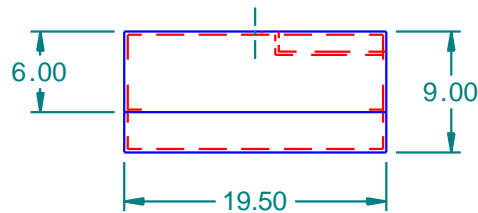
vent hole on tank will be welded shut if not used for fitting location

tank plastic resin is fda compliant based on manufacturer's specifications

tanks meet abyc and uscg requirements for marine water and holding tank applications



ISO View 120041



wall thickness: .240"

Tank Capacity: 40 Gallons



| | NAME | DATE |
|---------|-------|-----------|
| DRAWN | mputt | 1/25/2004 |
| CHECKED | | |
| ENGAPPR | | |
| MGRAPPR | | |

16160 Hwy 27 Lake Wales, FL 33859

TITLE 40 Gallon Plastic Tank

| SIZE | MATERIAL | REV |
|------|----------------|-----|
| A | 1 MDPE Natural | |

FILE NAME: 120041.dft

UNLESS OTHERWISE SPECIFIED
DIMENSIONS ARE IN INCHES
ANGLES ± 0.5°
2 PL ± 0.125" 3 PL ± 0.060"

| PART# | WEIGHT | SHEET |
|--------|------------|--------|
| 120041 | 30.785 lbm | 1 OF 1 |