

tanks are designed to be used in a horizontal position. rectangular tanks used in vertical position may require additional wall thickness or external support

tanks are not rated for gasoline or aromatic solvents

tank resins are fully uv stabilized

most size tanks are available in standard wall thickness shown or heavy duty

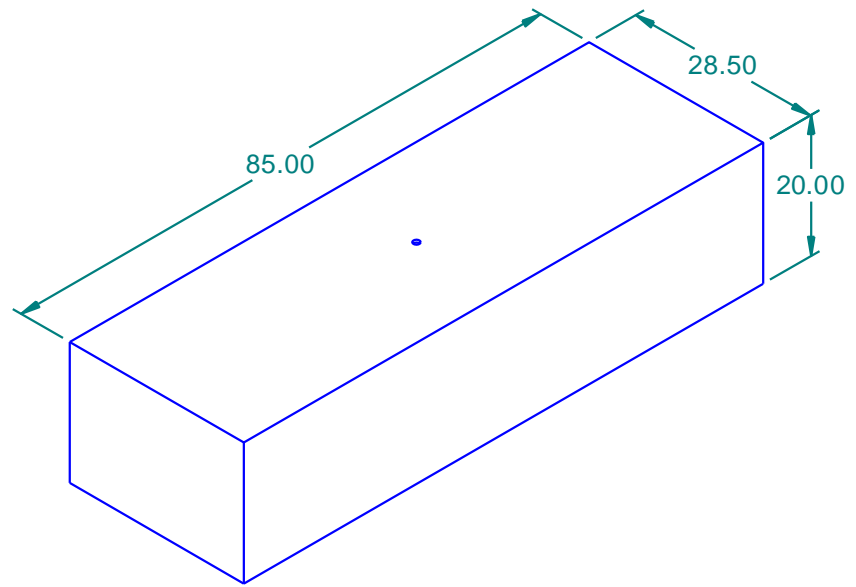
allow +/- 1% on tank dimensions for overall size variances

vent hole on tank will be welded shut if not used for fitting location

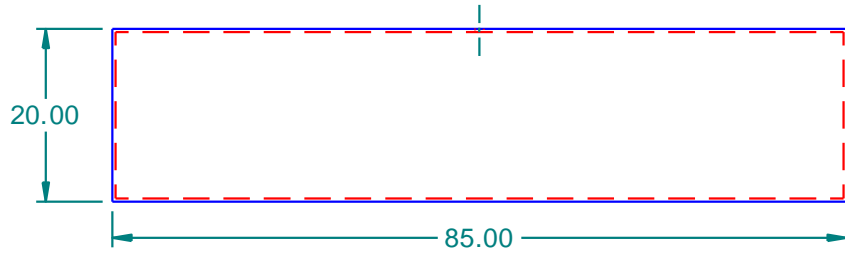
tank plastic resin is fda compliant based on manufacturer's specifications

tanks meet abyc and uscg requirements for marine water and holding tank applications

REVISION HISTORY			
REV	DESCRIPTION	DATE	APPROVED
01	UPDATED TO A SINGLE VENT HOLE	09/12/11	



ISO View 103200



wall thickness: .288"

Tank Capacity: 200 Gallons		
	NAME	DATE
DRAWN	mputt	5/8/2006
CHECKED		
ENG APPR		
MGR APPR		

**DURACAST**  
 16160 Hwy 27 Lake Wales, FL 33859

TITLE: 200 Gallon Plastic Tank

SIZE: A MATERIAL: Polyethylene, low density REV: 01

FILE NAME: 103200.dft

PART#: 103200 WEIGHT: 08.813 lbm SHEET 1 OF 1

UNLESS OTHERWISE SPECIFIED  
 DIMENSIONS ARE IN INCHES  
 ANGLES ± 0.5°  
 2 PL ± 0.125" 3 PL ± 0.060"