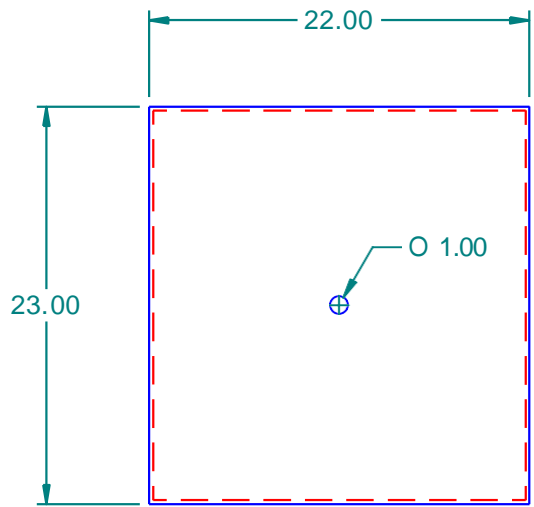


REVISION HISTORY			
REV	DESCRIPTION	DATE	APPROVED



tanks are designed to be used in a horizontal position. rectangular tanks used in vertical position may require additional wall thickness or external support

tanks are not rated for gasoline or aromatic solvents

tank resins are fully uv stabilized

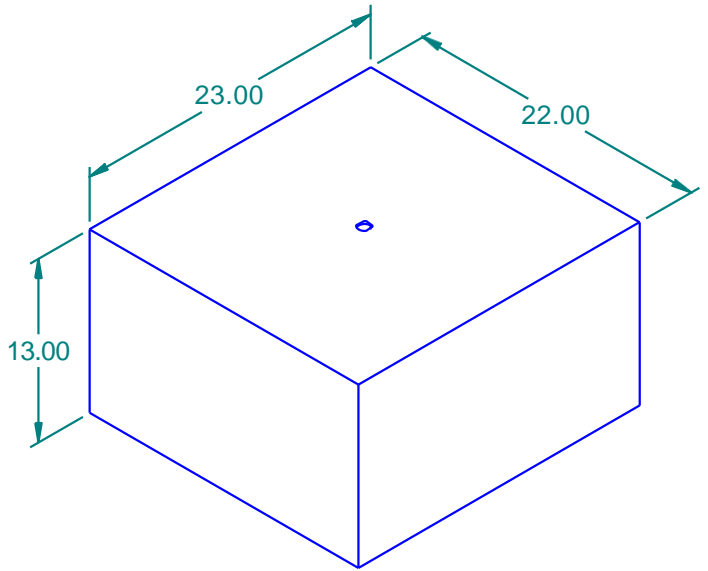
most size tanks are available in standard wall thickness shown or heavy duty

allow +/- 1% on tank dimensions for overall size variances

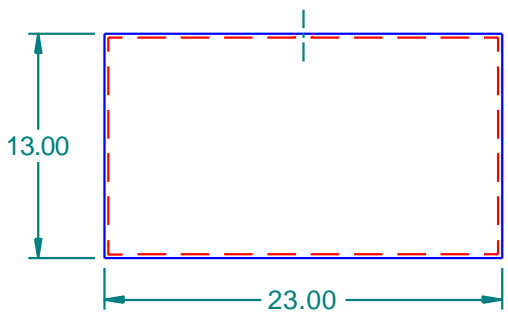
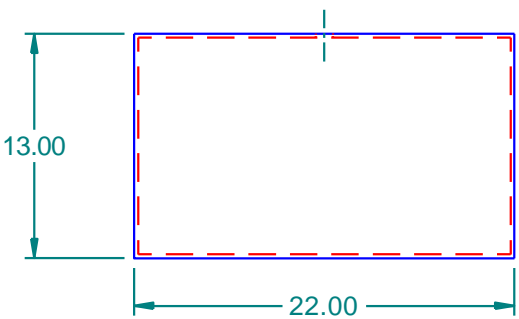
vent hole on tank will be welded shut if not used for fitting location

tank plastic resin is fda compliant based on manufacturer's specifications


tanks meet abyc and uscg requirements for marine water and holding tank applications



ISO View 103026



wall thickness: .220"

Tank Capacity: 26 Gallons																	
<table border="1"> <thead> <tr> <th> </th> <th>NAME</th> <th>DATE</th> </tr> </thead> <tbody> <tr> <td>DRAWN</td> <td>mputt</td> <td>1/25/2004</td> </tr> <tr> <td>CHECKED</td> <td> </td> <td> </td> </tr> <tr> <td>ENG APPR</td> <td> </td> <td> </td> </tr> <tr> <td>MGR APPR</td> <td> </td> <td> </td> </tr> </tbody> </table>		NAME		DATE	DRAWN	mputt	1/25/2004	CHECKED			ENG APPR			MGR APPR			16160 Hwy 27 Lake Wales, FL 33859
	NAME	DATE															
DRAWN	mputt	1/25/2004															
CHECKED																	
ENG APPR																	
MGR APPR																	
UNLESS OTHERWISE SPECIFIED DIMENSIONS ARE IN INCHES ANGLES ±0.5° 2 PL ±0.125" 3 PL ±0.060"			TITLE 26 Gallon Plastic Tank SIZE A MATERIAL 1 MDPE Natural FILE NAME: 103026.dft PART#: 103026 WEIGHT: 5.937 lbm	REV SHEET 1 OF 1													