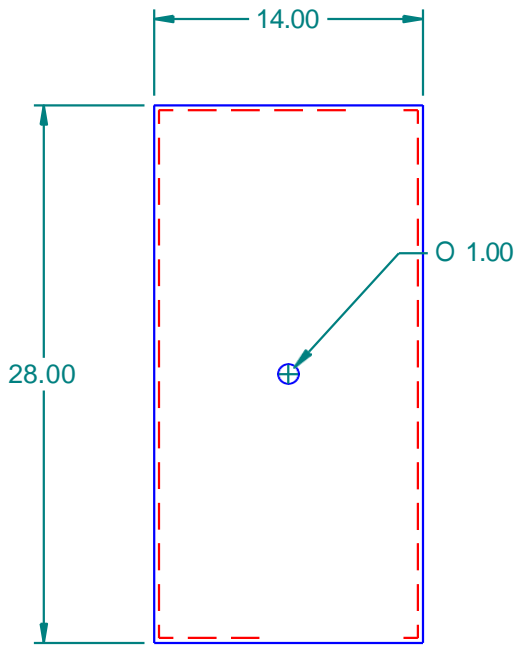


REVISION HISTORY

REV	DESCRIPTION	DATE	APPROVED



tanks are designed to be used in a horizontal position. rectangular tanks used in vertical position may require additional wall thickness or external support

tanks are not rated for gasoline or aromatic solvents

tank resins are fully uv stabilized

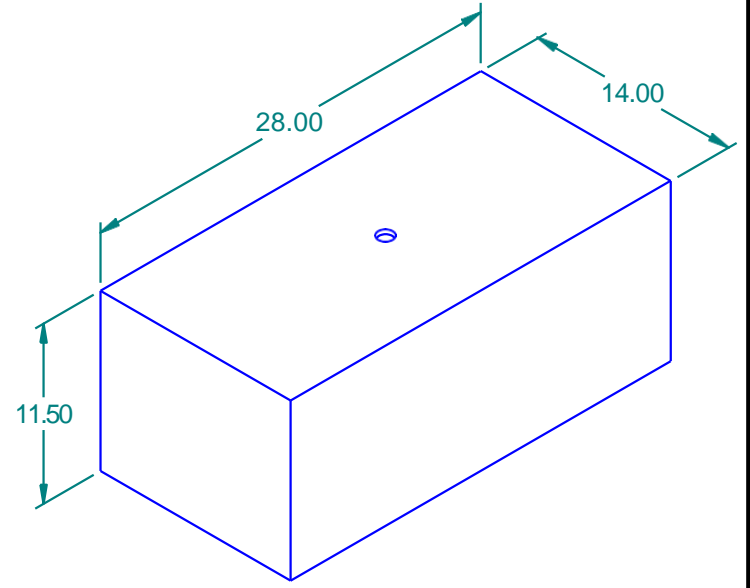
most size tanks are available in standard wall thickness shown or heavy duty

allow +/- 1% on tank dimensions for overall size variances

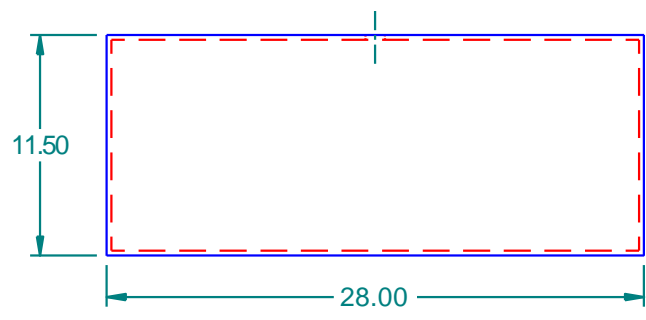
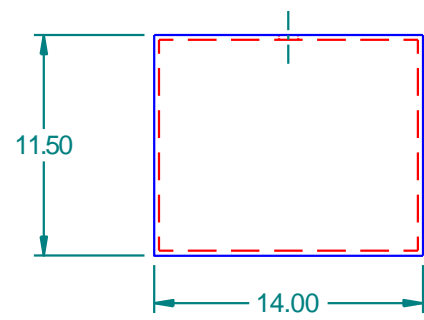
vent hole on tank will be welded shut if not used for fitting location

tank plastic resin is fda compliant based on manufacturer's specifications

tanks meet abyc and uscg requirements for marine water and holding tank applications




ISO View 103020



wall thickness: 0.260"

Tank Capacity: 20 Gallons		
	NAME	DATE
DRAWN	mputt	1/25/2004
CHECKED		
ENGAPPR		
MGRAPPR		
UNLESS OTHERWISE SPECIFIED DIMENSIONS ARE IN INCHES ANGLES ±0.5° 2 PL. ±0.125" 3 PL. ±0.060"		

	
16160 Hwy 27 Lake Wales, FL 33859	
TITLE 20 Gallon Plastic Tank	
SIZE A	MATERIAL 1 MDPE Natural
FILE NAME: 103020.dft	
PART#: 103020	WEIGHT: 4.976 lbm
SHEET 1 OF 1	