

REVISION HISTORY

REV	DESCRIPTION	DATE	APPROVED

tanks are designed to be used in a horizontal position. rectangular tanks used in vertical position may require additional wall thickness or external support

tanks are not rated for gasoline or aromatic solvents

tank resins are fully uv stabilized

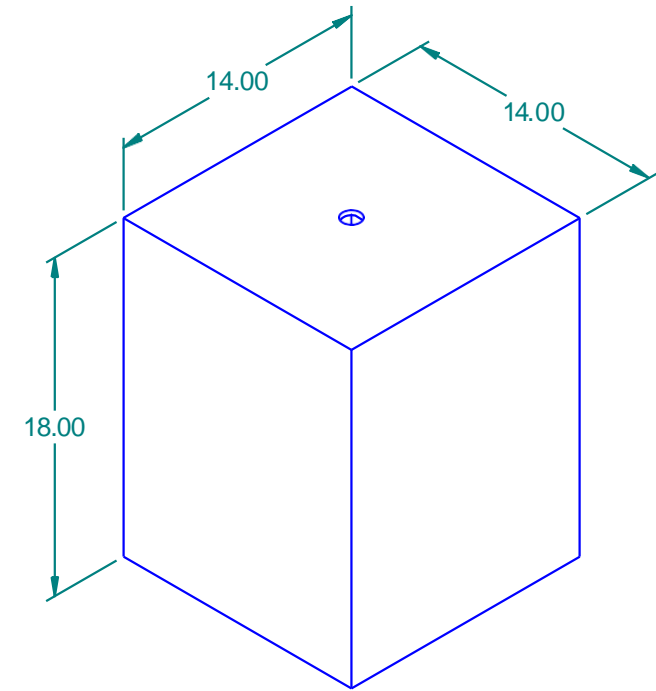
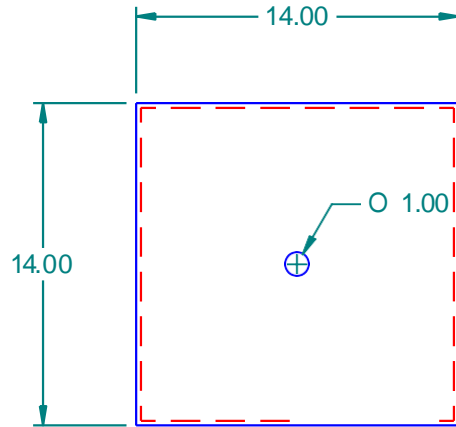
most size tanks are available in standard wall thickness shown or heavy duty

allow +/- 1% on tank dimensions for overall size variances

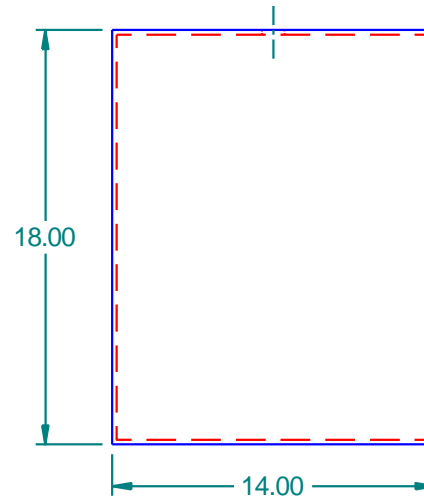
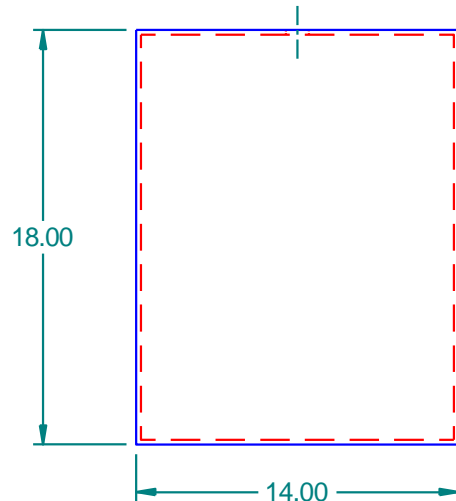
vent hole on tank will be welded shut if not used for fitting location

tank plastic resin is fda compliant based on manufacturer's specifications

tanks meet abyc and uscg requirements for marine water and holding tank applications



ISO View 103015



wall thickness: .210"

Tank Capacity: 15 Gallons

DURACAST
 16160 Hwy 27 Lake Wales, FL 33859

TITLE 15Gallon Plastic Tank

SIZE A **MATERIAL** 1MDPE Natural **REV**

FILE NAME: 103015.dft

PART# 103015 **WEIGHT** 9.717 lbm **SHEET** 1 OF 1

	NAME	DATE
DRAWN	mputt	4/28/2004
CHECKED		
ENG APPR		
MGR APPR		

UNLESS OTHERWISE SPECIFIED
 DIMENSIONS ARE IN INCHES
 ANGLES ± 0.5°
 2 PL ± 0.125" 3 PL ± 0.060"