

**REVISION HISTORY**

RE	DESCRIPTION	DATE	APPROVED
V		E	

tanks are designed to be used in a horizontal position. rectangular tanks used in vertical position may require additional wall thickness or external support

tanks are not rated for gasoline or aromatic solvents

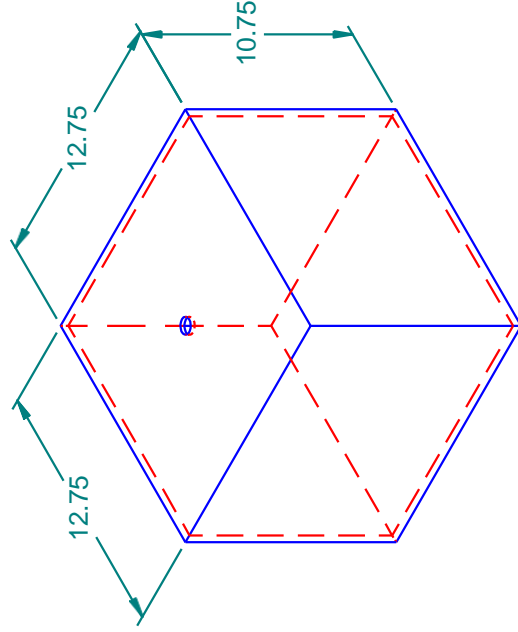
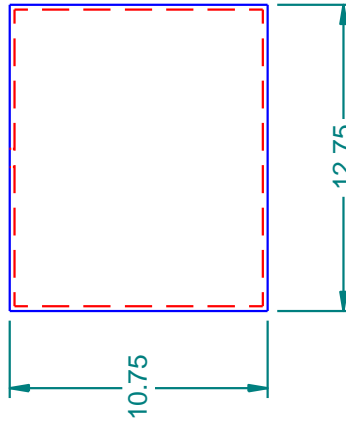
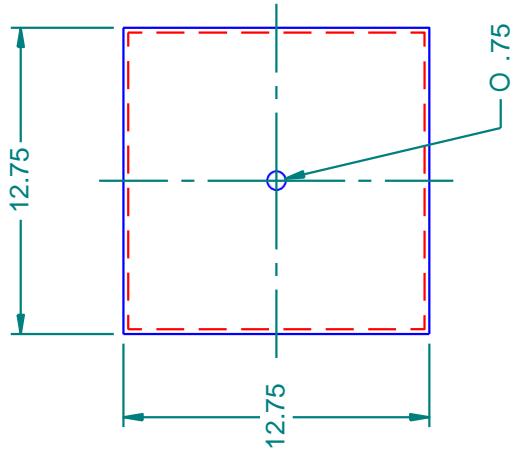
tank resins are fully uv stabilized  
most size tanks are available in standard wall thickness shown or heavy duty

allow +/- 1% on tank dimensions for overall size variances

vent hole on tank will be welded shut if not used for fitting location

tank plastic resin is fda compliant based on manufacturer's specifications

tanks meet abyc and uscg requirements for marine water and holding tank applications



IS Vie 10300  
O W 7

wall thickness: .200"



16160 Hwy 27 Lake Wales, FL 33859

TITLE 7 Gallon Tank

RE MATERIAL Polyethylene, low density  
SIZE V

FILE NAME: 103007.dft

PART#: 103007 WEIGHT: 5.405 lbm

SHEET 10F 1

NAME	DATE
mnegron	2/28/2006
CHECKED	
ENG APPR	
MGR APPR	

UNLESS OTHERWISE SPECIFIED  
DIMENSIONS ARE IN INCHES  
ANGLES ±0.5°  
2 PL ±0.125" 3 PL ±0.060"