

tanks are designed to be used in a horizontal position. rectangular tanks used in vertical position may require additional wall thickness or external support

tanks are not rated for gasoline or aromatic solvents

tank resins are fully uv stabilized

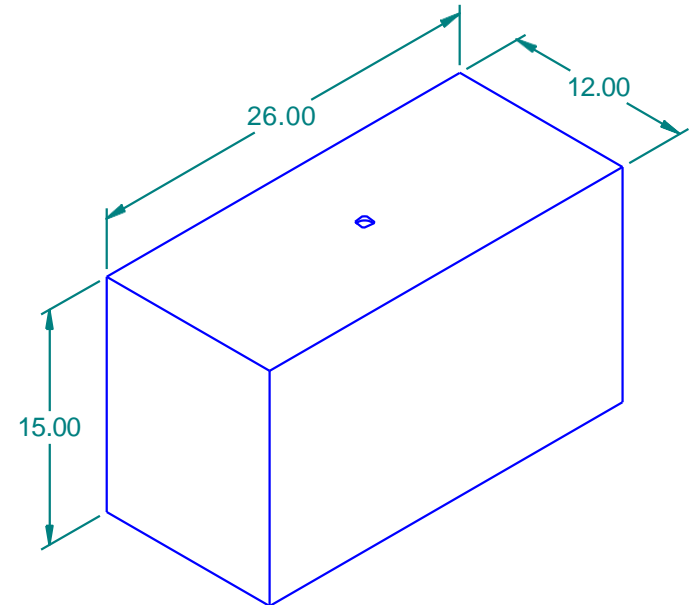
most size tanks are available in standard wall thickness shown or heavy duty

allow +/- 1% on tank dimensions for overall size variances

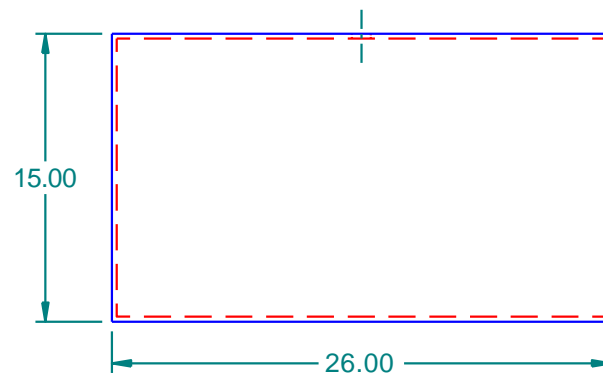
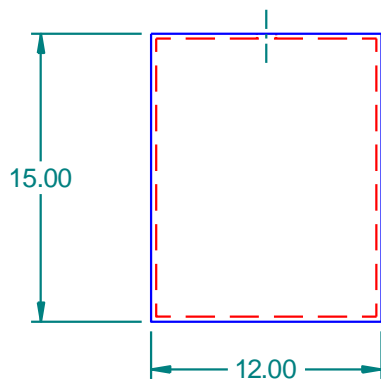
vent hole on tank will be welded shut if not used for fitting location

tank plastic resin is fda compliant based on manufacturer's specifications

tanks meet abyc and uscg requirements for marine water and holding tank applications



ISO View 102018



wall thickness: 0.265"

REVISION HISTORY			
REV	DESCRIPTION	DATE	APPROVED

Tank Capacity: 18 Gallons												
<table border="1"> <thead> <tr> <th>NAME</th> <th>DATE</th> </tr> </thead> <tbody> <tr> <td>DRAWN mputt</td> <td>1/25/2004</td> </tr> <tr> <td>CHECKED</td> <td></td> </tr> <tr> <td>ENGAPPR</td> <td></td> </tr> <tr> <td>MGRAPPR</td> <td></td> </tr> </tbody> </table>	NAME	DATE		DRAWN mputt	1/25/2004	CHECKED		ENGAPPR		MGRAPPR		16160 Hwy 27 Lake Wales, FL 33859
NAME	DATE											
DRAWN mputt	1/25/2004											
CHECKED												
ENGAPPR												
MGRAPPR												
TITLE 18Gallon Plastic Tank			REV									
SIZE A			MATERIAL 1MDPE Natural									
FILE NAME: 102018.dft												
PART#: 102018		WEIGHT: 5.385 lbm	SHEET 1 OF 1									

UNLESS OTHERWISE SPECIFIED  
 DIMENSIONS ARE IN INCHES  
 ANGLES ±0.5°  
 2 PL ±0.125" 3 PL ±0.060"