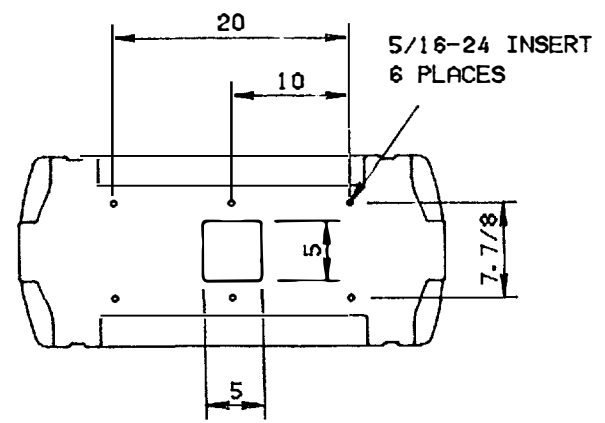
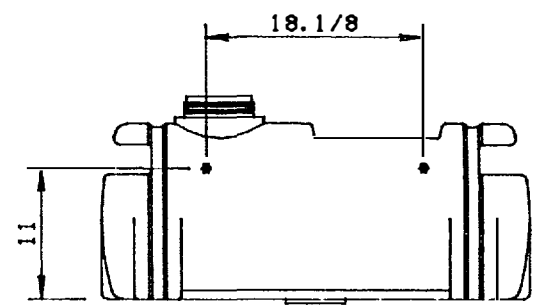
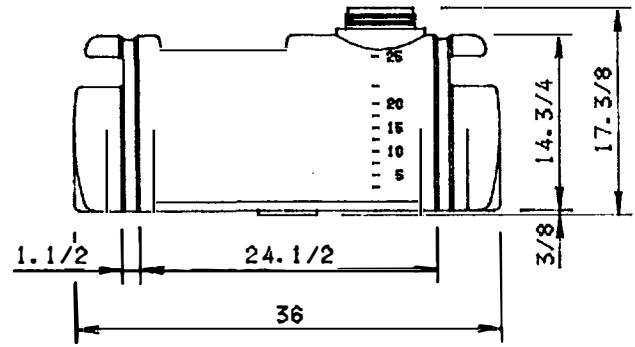
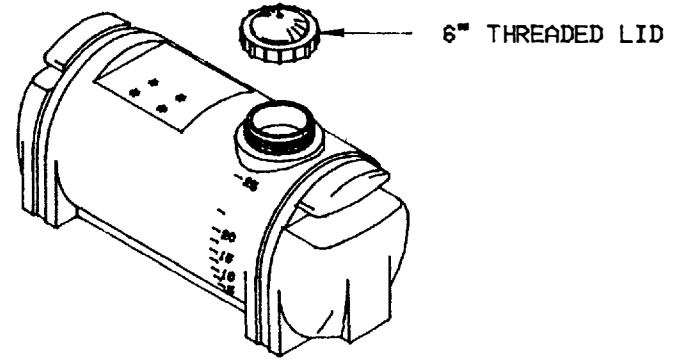
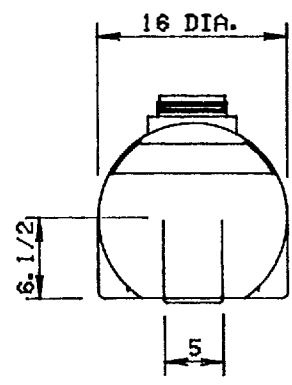
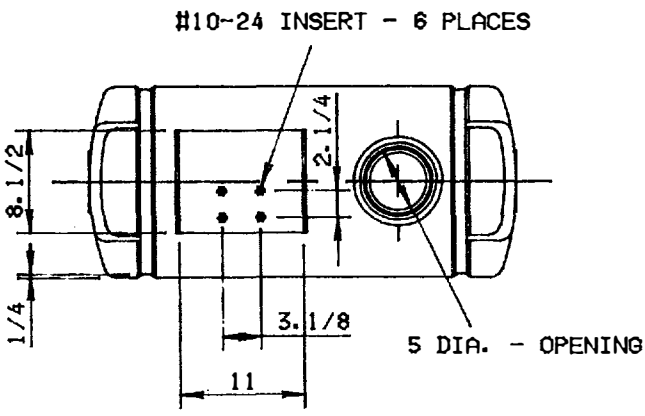


THIS DRAWING MAY NOT BE USED FOR ANY PURPOSE OTHER THAN BY THE OWNER. THE DRAWING & DESIGN ARE PROPERTY OF ROTONICS MANUFACTURING, INC. ALL DIMENSIONS SHOWN ARE OUTSIDE PART DIMENSIONS IN INCHES, AND MAY VARY DUE TO MATERIAL SHRINKAGE. SPECIFICATIONS ARE SUBJECT TO CHANGE WITHOUT NOTICE. GALLONS AND WEIGHTS ARE APPROXIMATE ONLY.



RMI-I  
716 No. 11th Avenue  
Caldwell, ID 83605  
Phone: 208-454-9271  
Fax: 208-454-3089

RMI-D  
6770 Brighton Blvd.  
Commerce City, CO 80022  
Phone: 303-227-9300  
Fax: 303-227-9308

RMI-G  
17038 S. Figueroa St.  
Gardena, CA 90248  
Phone: 310-327-5401  
Fax: 310-323-9567

		16160 Hwy 27 Lake Wales, FL 33859 DuraCast.com 863.638.3200	
#6026 <h2 style="margin: 0;">25 GALLON - SPRAYER TANK</h2>			
DRAWN BY: DPHAM/RMI-G	DESIGN BY:	DATE: 12-23-96	SCALE: 1 = 16'
			DWG. NO. <h3 style="margin: 0;">S-1304</h3>