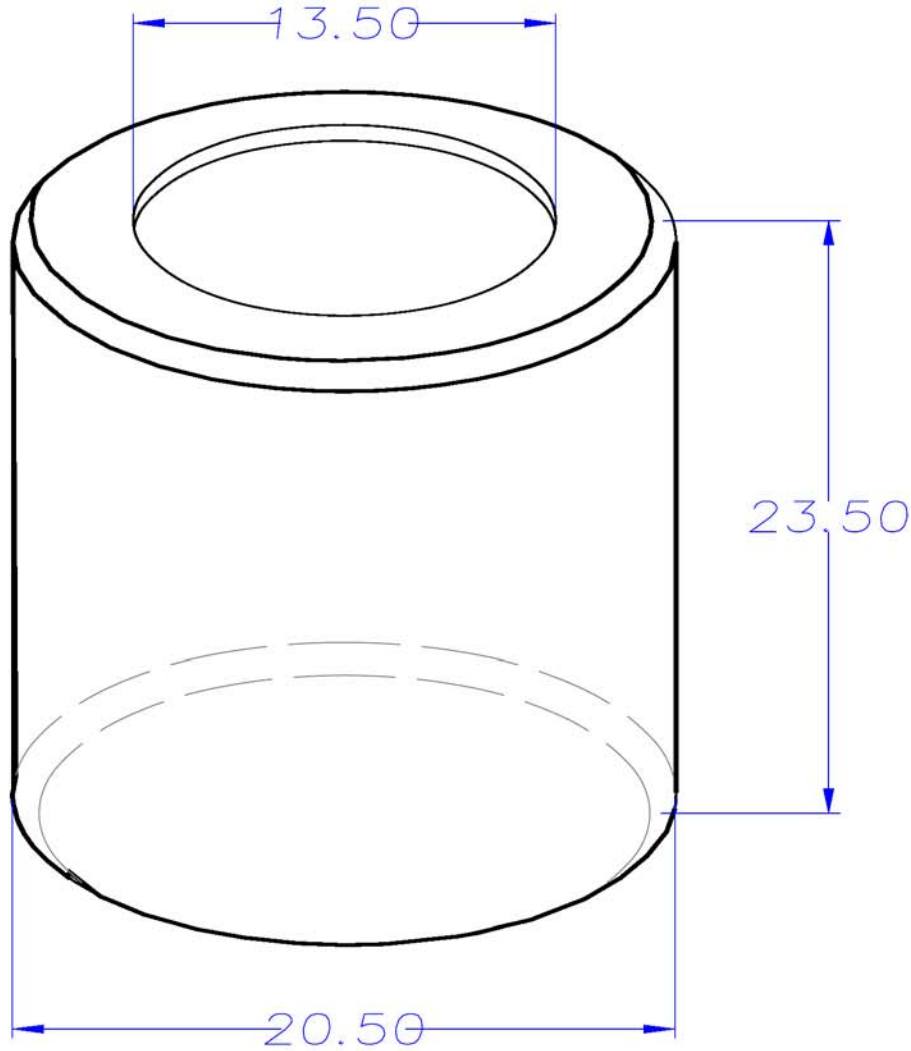


Plastic resin is fully FDA compliant based upon manufacturer's specifications

Resins are fully UV stabilized

Allow +/- 1% on dimensions for overall size variances



REVISION HISTORY

REV	DESCRIPTION	DATE	APPROVED

Capacity: 30 Gallons		
	NAME	DATE
DRAWN	MPUTT	9/01/2004
CHECKED		
ENG APPR		
MGR APPR		
UNLESS OTHERWISE SPECIFIED DIMENSIONS ARE IN INCHES ANGLES ±0.5° 2 PL ±0.125° 3 PL ±0.060°		

Wall Thickness: 0.200

Dura-Cast Products INC.
Rotomolding Plastic for the Future

16160 Hwy 27 Lake Wales, FL 33859
800.683.4116 863.638.3200 F 863.638.2443
www.duracast.com

TITLE Baitwell		
SIZE A	MATERIAL: LMDPE Natural	REV
Part #: 280025		
WEIGHT: 13#		SHEET 1 OF 1