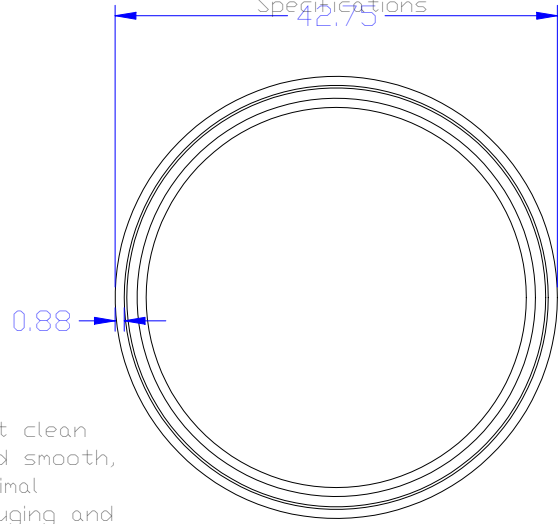


#501090 WT-90  
Upper Rim  
Cutting  
Specifications



Cut clean  
and smooth,  
minimal  
gouging and  
waves

