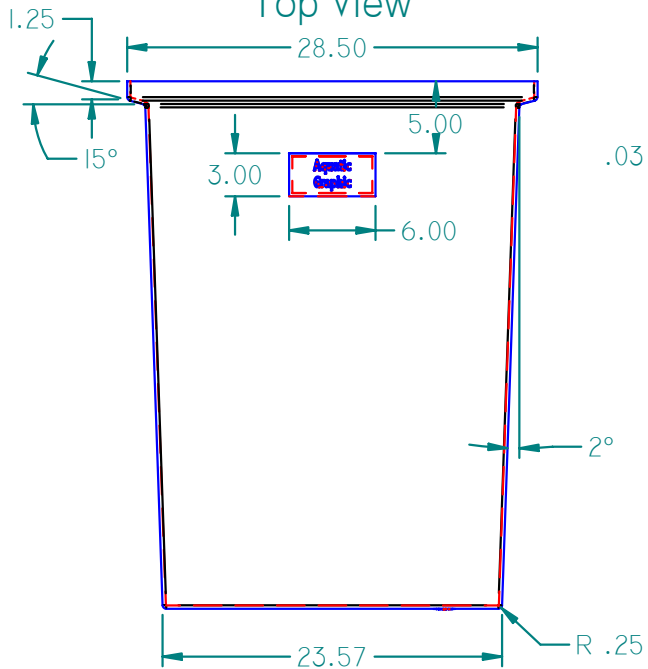
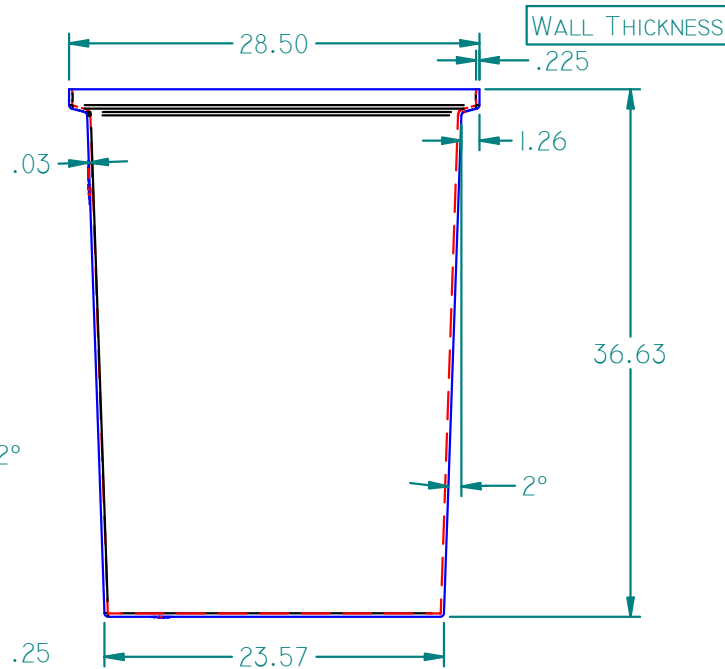


Top View



Front View

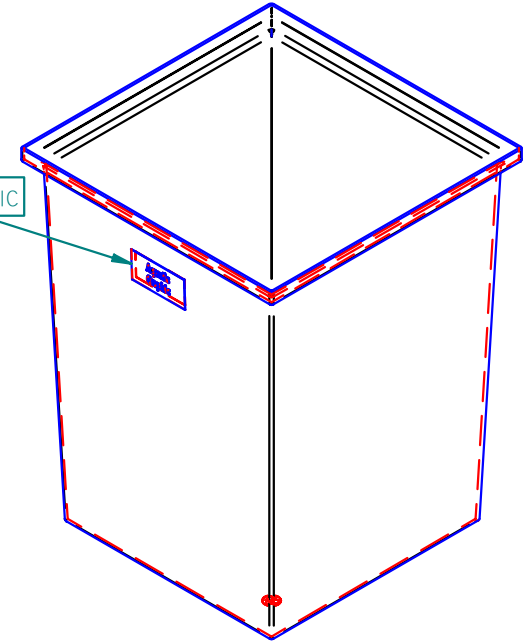


Side View

REVISION HISTORY

REV	DESCRIPTION	DATE	APPROVED
01	OVERALL DIMENSIONAL CHANGES TO MAKE WORKING CAPACITY BELOW LIP, GRAPHIC WINDOW SIZE CHANGE	2/11/04	

MOLD IN GRAPHIC



ISO View

Tank Capacity: 89 Gallons

	NAME	DATE
DRAWN	MPUTT	1/22/2004
CHECKED		
ENG APPR		
MGR APPR		

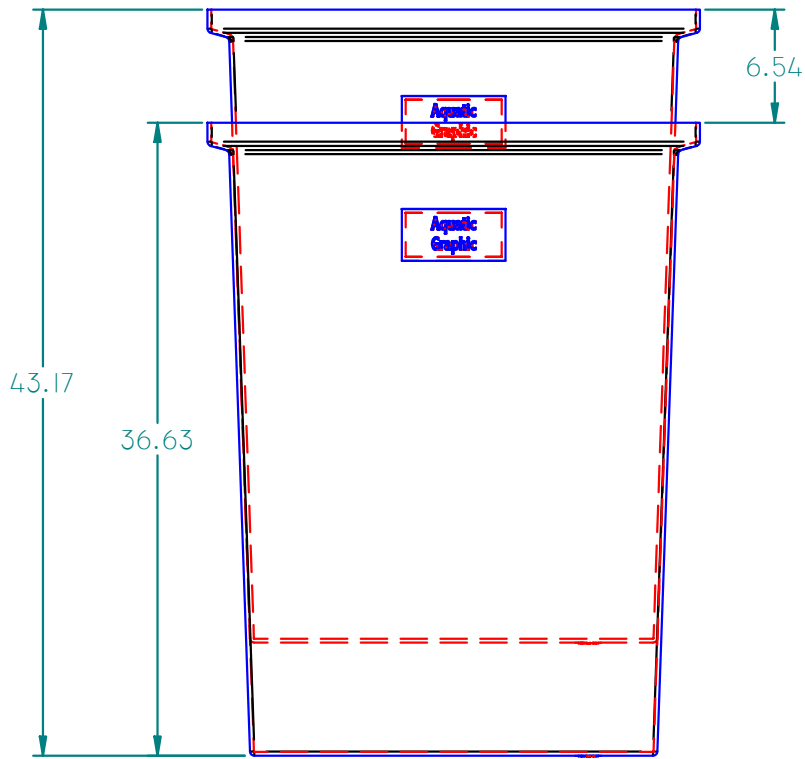


16160 Hwy 27 Lake Wales, FL 33859

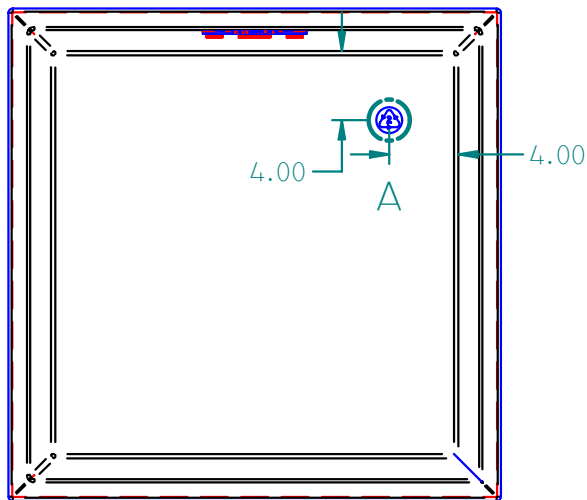
TITLE 89 GALLON OTR TANK		
SIZE A	MATERIAL: HDPE 218 AQUAMARINE	REV 01

UNLESS OTHERWISE SPECIFIED
DIMENSIONS ARE IN INCHES
ANGLES ±0.5°
2 PL ±0.125" 3 PL ±0.060"

FILE NAME: OTR89.DFT		
PART#: 502089	WEIGHT: 32.41 LBM	SHEET 1 OF 2



Side View Nested

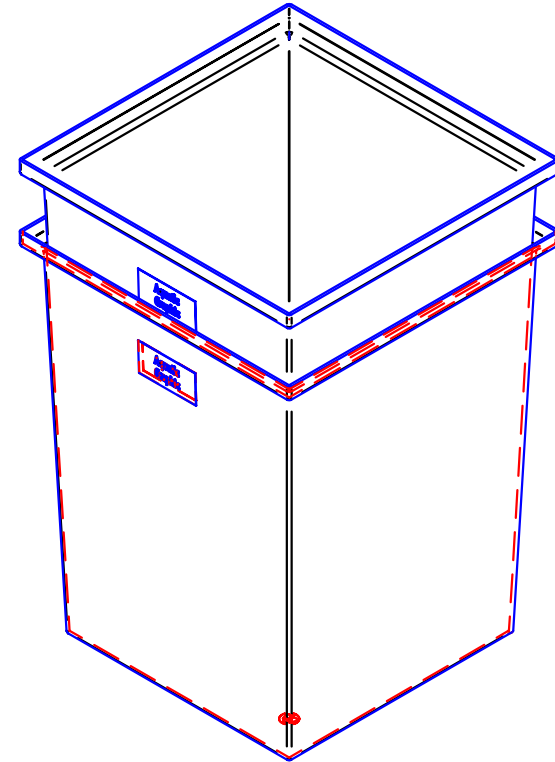


BOTTOM VIEW

HDPE
RECYCLE LOGO



DETAIL A



ISO VIEW NESTED

REVISION HISTORY

REV	DESCRIPTION	DATE	APPROVED
01	OVERALL DIMENSIONAL CHANGES TO MAKE WORKING CAPACITY BELOW LIP, GRAPHIC WINDOW SIZE CHANGE	2/11/04	

Tank Capacity: 89 Gallons

	NAME	DATE
DRAWN	MPUTT	1/22/2004
CHECKED		
ENG APPR		
MGR APPR		



16160 Hwy 27 Lake Wales, FL 33859

TITLE 89 GALLON OTR TANK

SIZE A	MATERIAL: HDPE 218 AQUAMARINE	REV 01
--------	-------------------------------	--------

UNLESS OTHERWISE SPECIFIED
DIMENSIONS ARE IN INCHES
ANGLES ±0.5°
2 PL ±0.125" 3 PL ±0.060"

FILE NAME: OTR89.DFT

PART#: 502089	WEIGHT: 32.41 LBM	SHEET 2 OF 2
---------------	-------------------	--------------