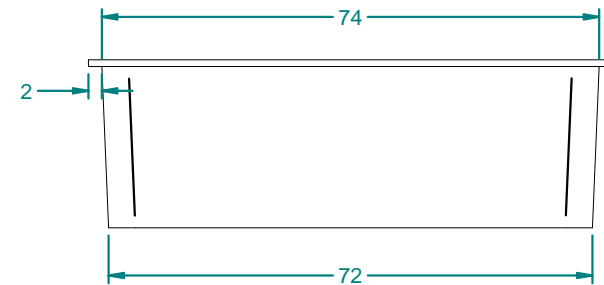
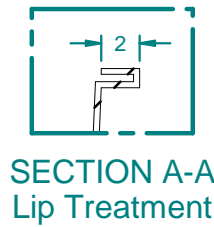
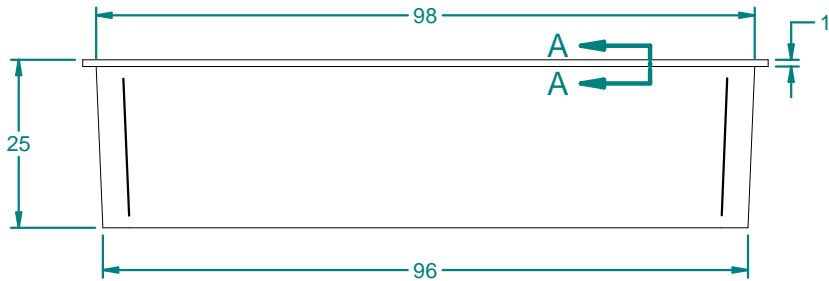
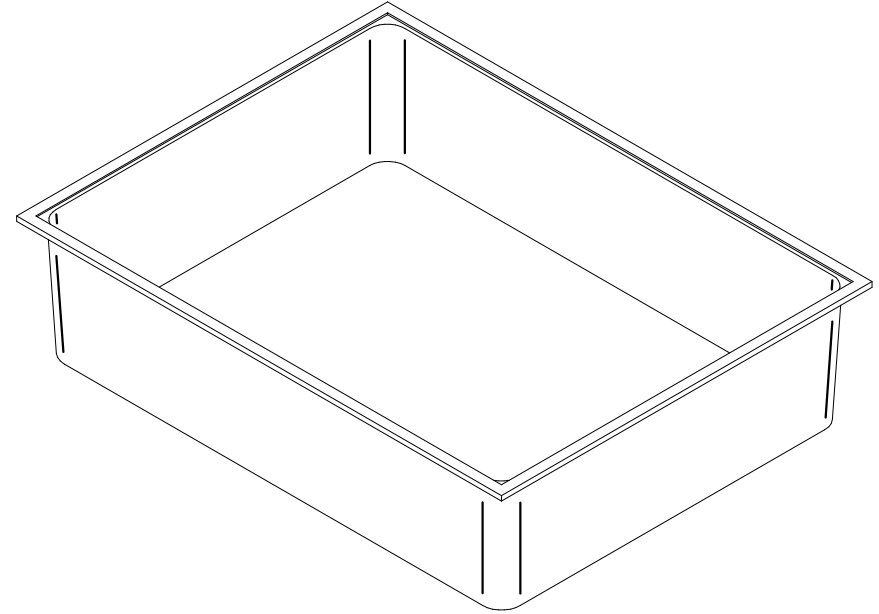
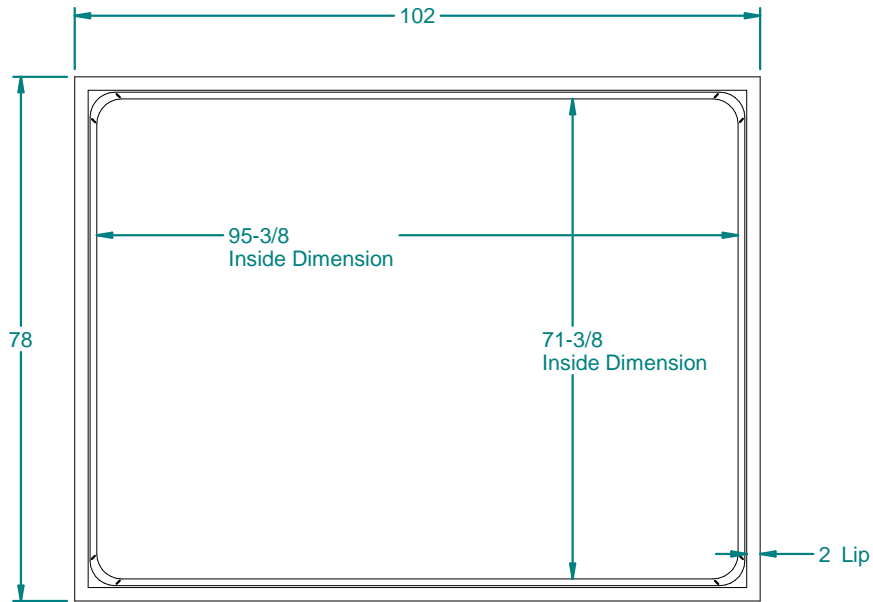



MAIN PRODUCT INFORMATION



REVISION HISTORY

REV	DESCRIPTION	DATE	APPROVED	Revised By
01	Existing Part Dimensional Drawing	12/7/2012		

Weight: N/A	NAME S. Arant	DATE 12/7/2012	 16160 Hwy 27 Lake Wales, FL. 33859 Customer: Dura-Cast Products, Inc.		
Wall Thickness: N/A	Drawn By:				
Customer Part No: N/A	Customer APPR		Part Title: 725 Gallon Open Top Tank		
Print Date: 12/7/2012	COPYRIGHT © 2012 DURA-CAST PRODUCTS, INC.		File Name: 501120 725 Gallon Open Top Tank.dft		
Comments: - UNLESS OTHERWISE SPECIFIED DIMENSIONS ARE IN INCHES - Std Radii 3/16"	UNLESS OTHERWISE SPECIFIED TOLERANCES ARE DIMS > 10" ±1% DIMS < 10" ±0.100 WALL THICKNESS ± 20% FLATNESS ± .030 in/in		Size: A	Material: HDPE 942	Rev: 01
			Part No: 501120	Do Not Scale	Sheet: 1 OF 1