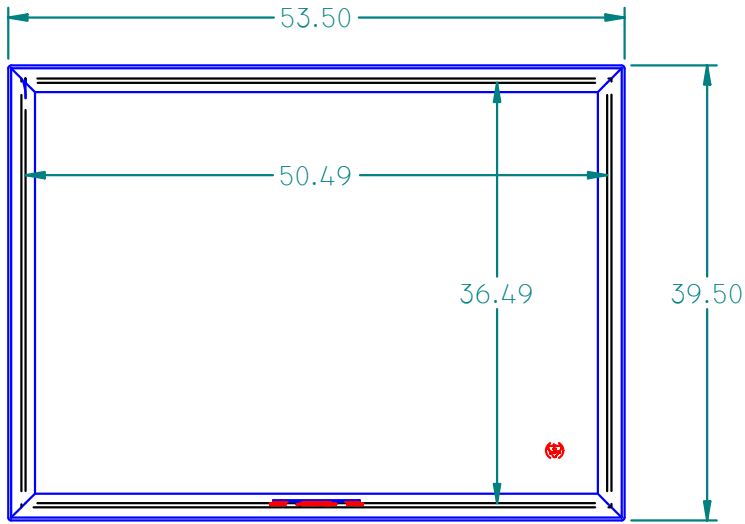
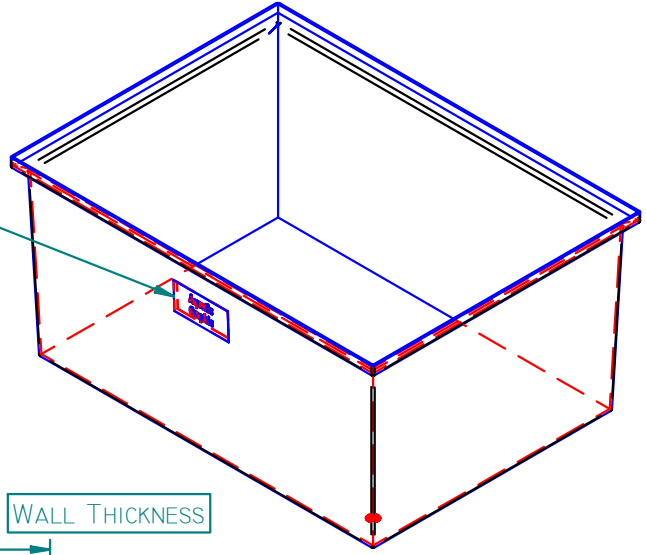


REVISION HISTORY			
REV	DESCRIPTION	DATE	APPROVED
01	OVERALL DIMENSIONAL CHANGES TO MAKE WORKING CAPACITY BELOW LIP	2/11/04	

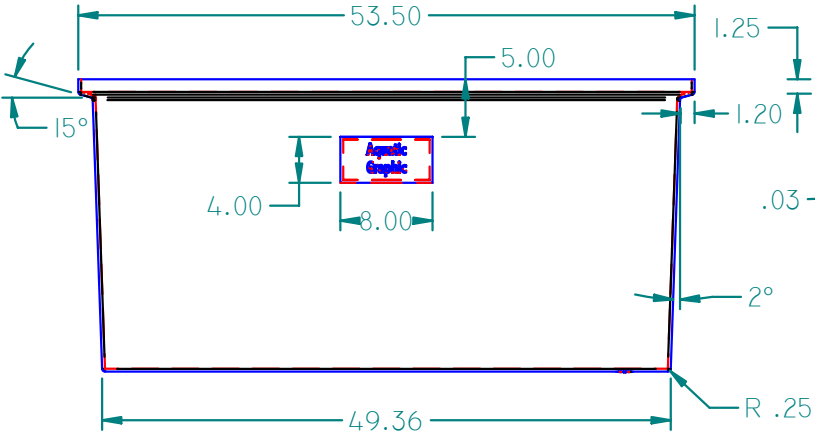


Top View

MOLD IN GRAPHIC

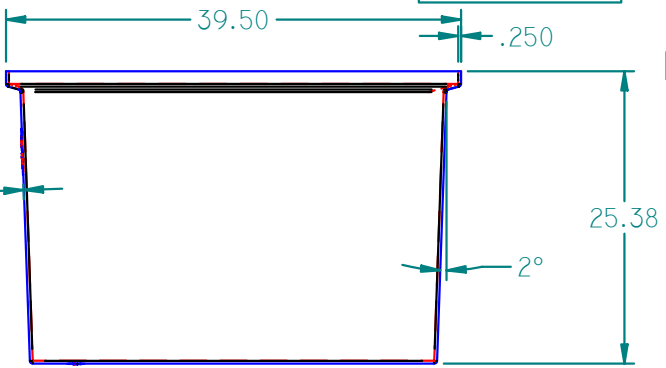


ISO View




Front View

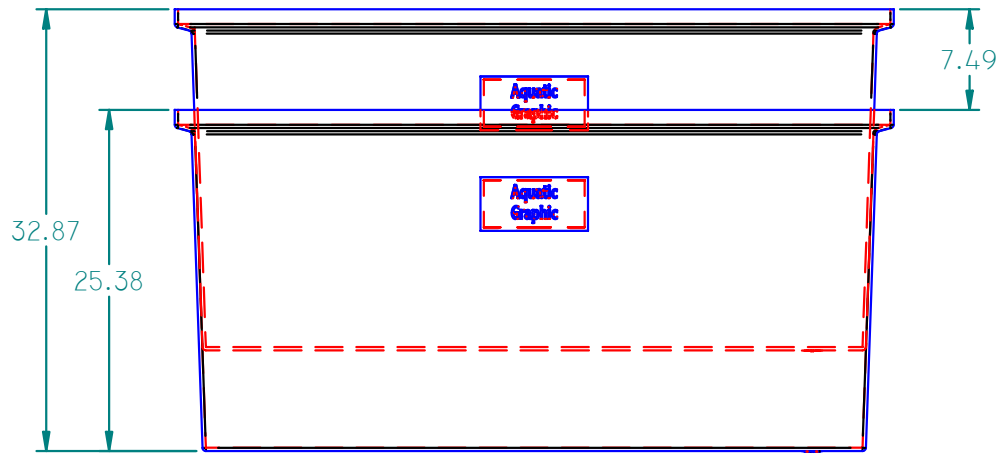
WALL THICKNESS



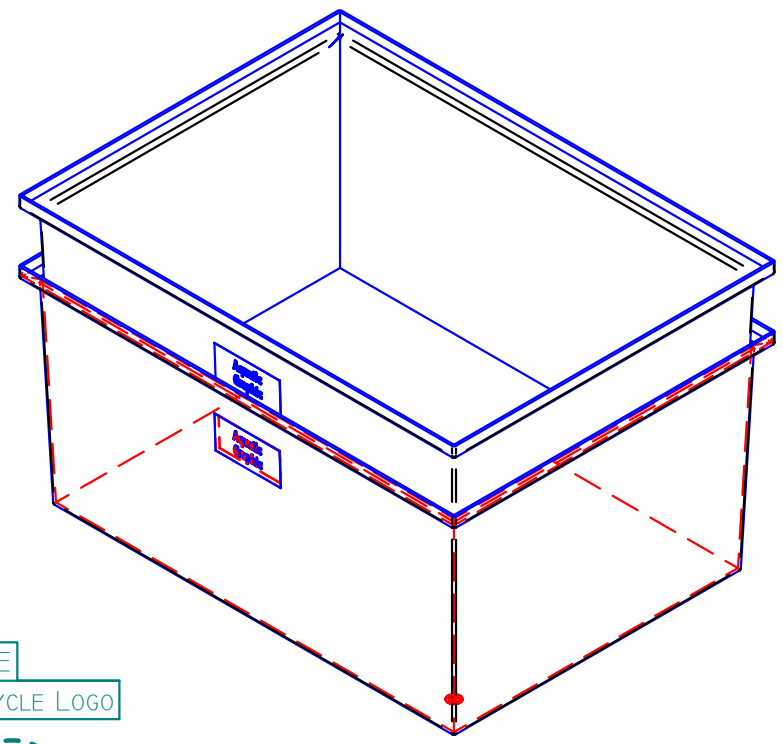
Side View

Tank Capacity: 180 Gallons			 16160 Hwy 27 Lake Wales, FL 33859														
<table border="1"> <thead> <tr> <th></th> <th>NAME</th> <th>DATE</th> </tr> </thead> <tbody> <tr> <td>DRAWN</td> <td>MPUTT</td> <td>1/22/2004</td> </tr> <tr> <td>CHECKED</td> <td></td> <td></td> </tr> <tr> <td>ENG APPR</td> <td></td> <td></td> </tr> <tr> <td>MGR APPR</td> <td></td> <td></td> </tr> </tbody> </table>		NAME			DATE	DRAWN	MPUTT	1/22/2004	CHECKED			ENG APPR			MGR APPR		
	NAME	DATE															
DRAWN	MPUTT	1/22/2004															
CHECKED																	
ENG APPR																	
MGR APPR																	
UNLESS OTHERWISE SPECIFIED DIMENSIONS ARE IN INCHES ANGLES ±0.5° 2 PL ±0.125" 3 PL ±0.060"			SIZE A MATERIAL: HDPE 218 AQUAMARINE	REV 01													
			FILE NAME: OTR180.DFT														
			PART#: 502180	WEIGHT: 52.885 LBM SHEET 1 OF 2													

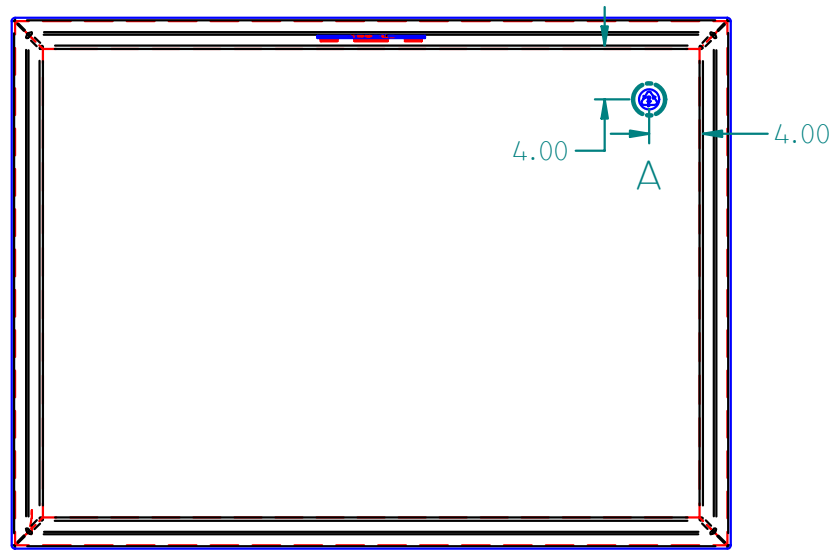
REVISION HISTORY			
REV	DESCRIPTION	DATE	APPROVED
01	OVERALL DIMENSIONAL CHANGES TO MAKE WORKING CAPACITY BELOW LIP	2/11/04	



Side View Nested



ISO VIEW NESTED




BOTTOM VIEW

HDPE  
RECYCLE LOGO



DETAIL A

Tank Capacity: 180 Gallons			 16160 Hwy 27 Lake Wales, FL 33859		
DRAWN	NAME	DATE			TITLE
CHECKED	MPUTT	/22/2004	180 GALLON OTR TANK		
ENG APPR			SIZE A	MATERIAL: HDPE 218 AQUAMARINE	REV 01
MGR APPR			FILE NAME: OTR180.DFT		
UNLESS OTHERWISE SPECIFIED DIMENSIONS ARE IN INCHES ANGLES ±0.5° 2 PL ±0.125" 3 PL ±0.060"			PART#: 502180	WEIGHT: 52.885 LBM	SHEET 2 OF 2