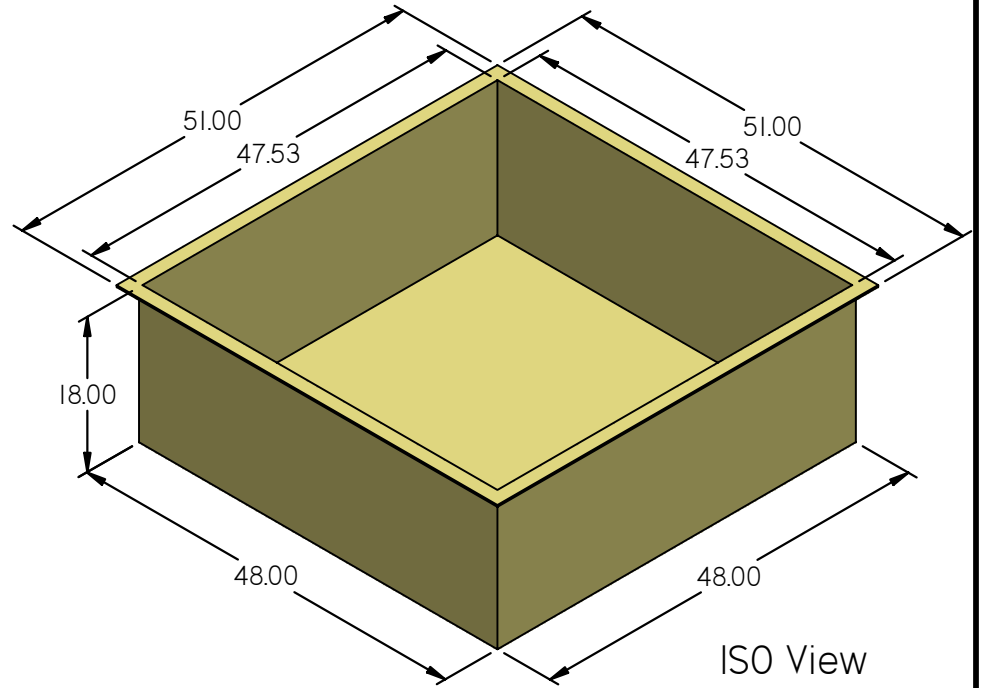
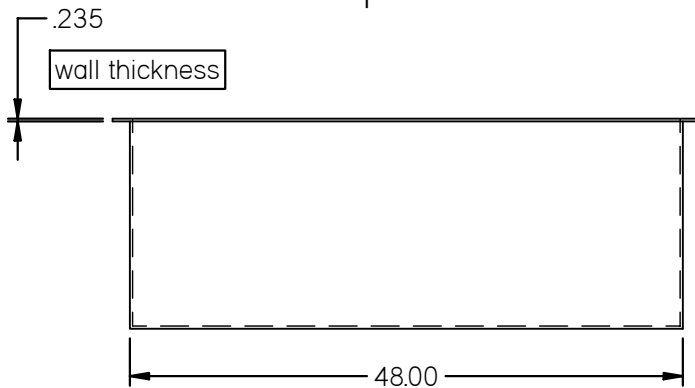


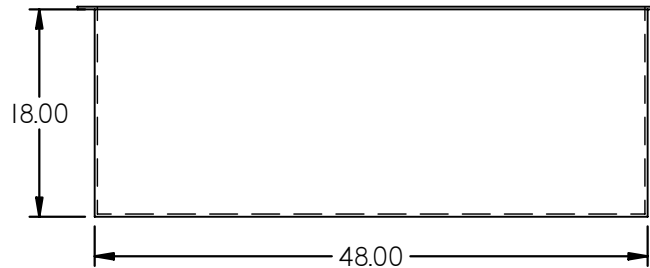
Top View



ISO View



Front View



Side View

REVISION HISTORY			
REV	DESCRIPTION	DATE	APPROVED
01	MATERIAL CHANGE FROM LLDPE TO HDPE RESIN (200) NATURAL	1/2/2004	

NOTE: OPEN TANK WILL NEED SUPPORT IF FILLING UP BEYOND HALF WAY

Tank Capacity: 175 Gallons

	NAME	DATE
DRAWN	MPutt	8/22/2003
CHECKED		
ENG APPR		
MGR APPR		

UNLESS OTHERWISE SPECIFIED
DIMENSIONS ARE IN INCHES
ANGLES ±0.5°
2 PL ±0.125" 3 PL ±0.060"

Dura-Cast Products INC.
Molded Plastic for the Future

16160 Hwy 27 Lake Wales, FL 33859

TITLE 48" x 48" x 18" Open Top

SIZE A	Material: HDPE Natural (200)	REV 01
--------	------------------------------	--------

FILE NAME: 501110 48x48.dft

Part#: 501110	WEIGHT: 48.260 lbm	SHEET 1 OF 1
---------------	--------------------	--------------