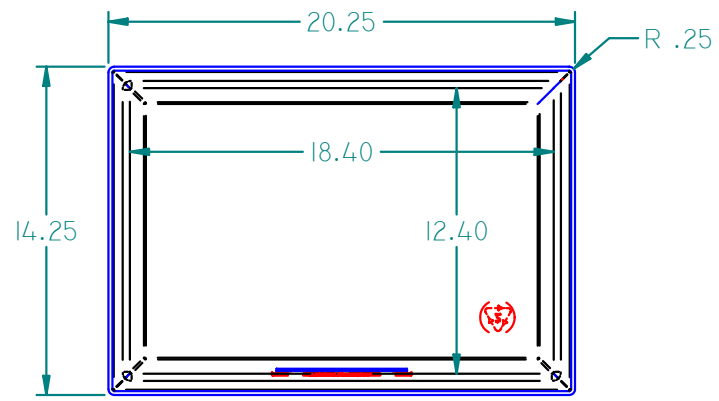
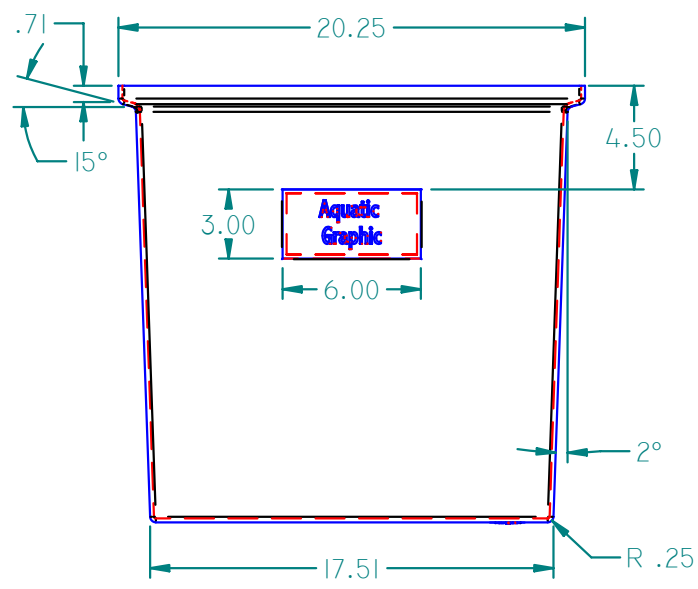


REVISION HISTORY

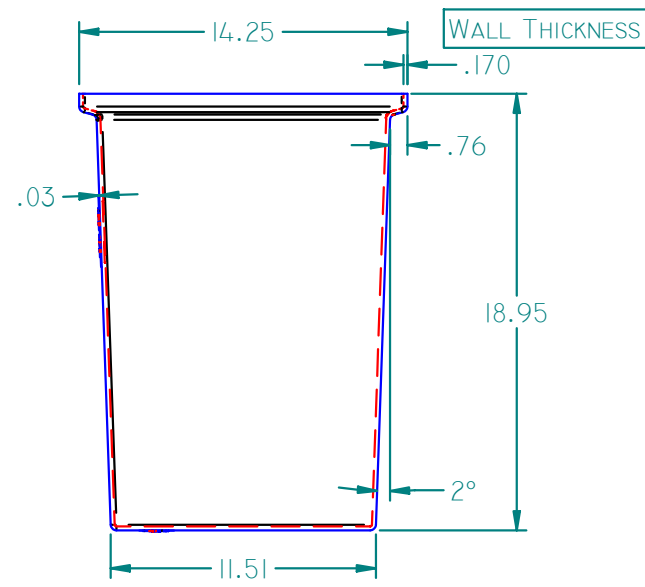
REV	DESCRIPTION	DATE	APPROVED
01	OVERALL DIMENSIONAL CHANGES TO MAKE WORKING CAPACITY BELOW LIP, GRAPHIC WINDOW SIZE CHANGE	2/11/04	



Top View

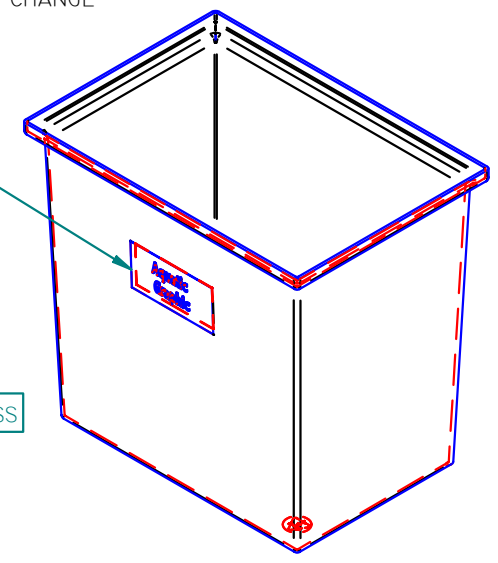


Front View



Side View

MOLD IN GRAPHIC



ISO View

WALL THICKNESS

Tank Capacity: 16 Gallons		
	NAME	DATE
DRAWN	MPUTT	1/22/2004
CHECKED		
ENG APPR		
MGR APPR		



16160 Hwy 27 Lake Wales, FL 33859

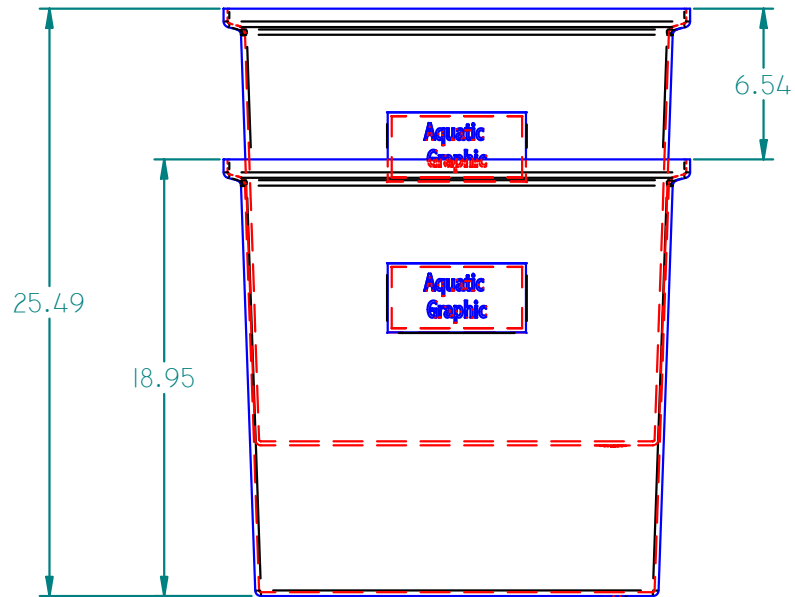
TITLE 16 GALLON OTR TANK		
SIZE A	MATERIAL: HDPE 218 AQUAMARINE	REV 01

UNLESS OTHERWISE SPECIFIED  
DIMENSIONS ARE IN INCHES  
ANGLES ±0.5°  
2 PL ±0.125" 3 PL ±0.060"

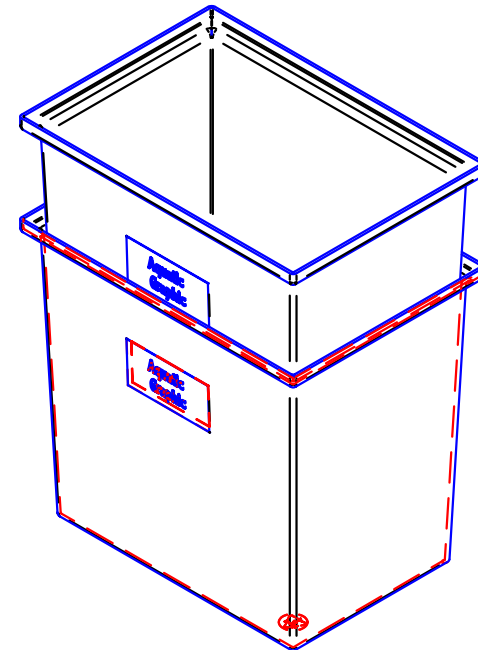
FILE NAME: OTRI6.DFT		
PART#: 502016	WEIGHT: 7.840 LBM	SHEET 1 OF 2

REVISION HISTORY

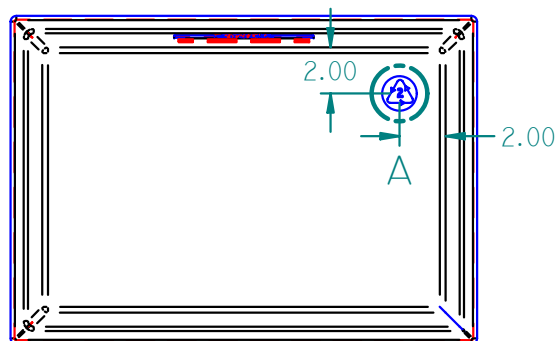
REV	DESCRIPTION	DATE	APPROVED
01	OVERALL DIMENSIONAL CHANGES TO MAKE WORKING CAPACITY BELOW LIP, GRAPHIC WINDOW SIZE CHANGE	2/11/04	



Side View Nested



ISO VIEW NESTED




BOTTOM VIEW

HDPE  
RECYCLE LOGO



DETAIL A

Tank Capacity: 16 Gallons			 16160 Hwy 27 Lake Wales, FL 33859		
DRAWN	NAME	DATE			TITLE
CHECKED	MPUTT	1/22/2004	16 GALLON OTR TANK		
ENG APPR			SIZE A	MATERIAL: HDPE 218 AQUAMARINE	REV 01
MGR APPR			FILE NAME: OTRI6.DFT		
UNLESS OTHERWISE SPECIFIED DIMENSIONS ARE IN INCHES ANGLES ±0.5° 2 PL ±0.125" 3 PL ±0.060"			PART#: 502016	WEIGHT: 7.840 LBM	SHEET 2 OF 2