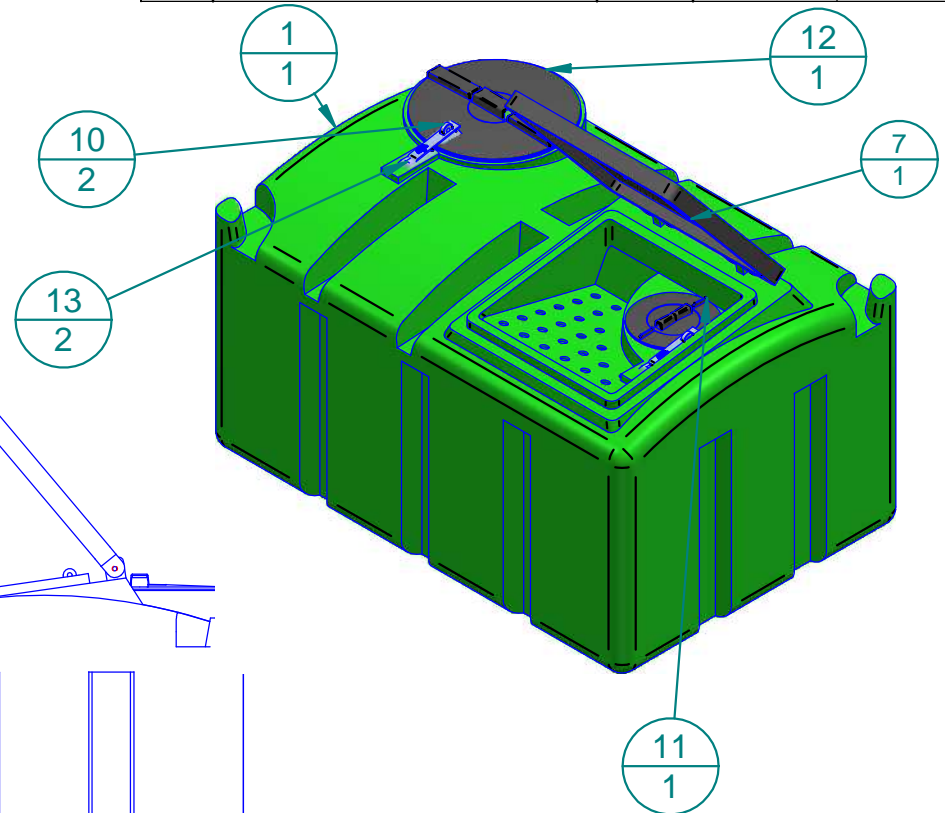



REVISION HISTORY				
REV	DESCRIPTION	DATE	APPROVED	Revised By
A	Initial Design Release	5/21/2008		

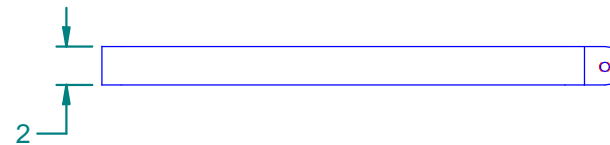
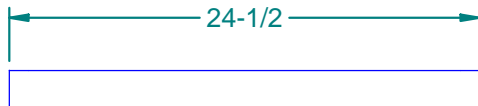
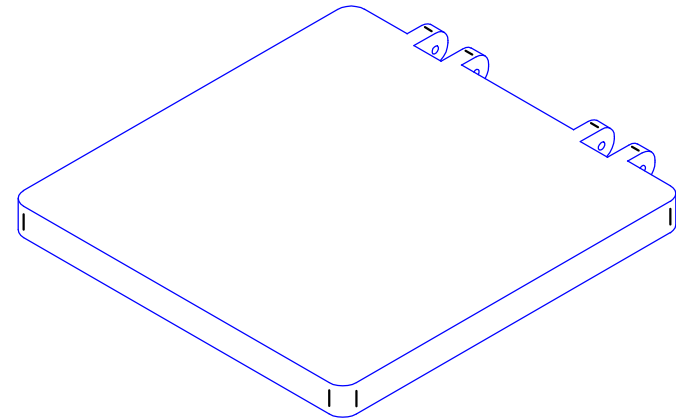
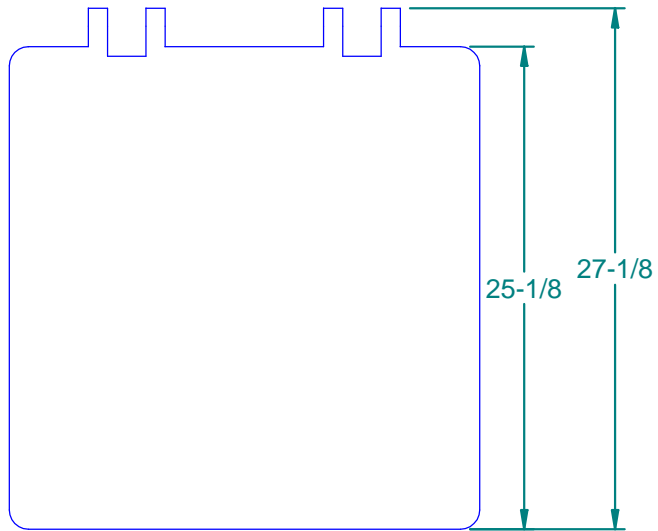



Item Number	Document Number	Title	Quantity
1	N/A	300 Gal Bio Diesel	1
7	N/A	Bio Diesel Lid	1
10		7-1/4" Hardened Steel Hasp - Tie Down	2
11	751008T	8" Vented Manway, Tethered	1
12	751016	16 in Vented Manway	1
13		7-1/4" Hardened Steel Hasp - Sub Assy	2

Weight: 124.900 lbm	NAME	DATE	 16160 Hwy 27 Lake Wales, FL. 33859	
Wall Thickness: See Part Details	DRAWN By: McConomy	5/21/2008		
Customer Part No: N/A	Customer APPR		Customer: Dura-Cast Products, Inc	
Print Date: 5/23/2008	MFG APPR		Part Title: 300 Gal Bio Diesel Tank Assy	
Comments: - UNLESS OTHERWISE SPECIFIED DIMENSIONS ARE IN INCHES - Std Radii 3/16"	Tolerance: UNLESS OTHERWISE SPECIFIED TOLERANCES ARE ±1%	File Name: 300 Gal Bio Diesel Tank Rev 2.dft		
		Size: A	Material:	Rev: A
		Part No: N/A	Do Not Scale	Sheet: 1 OF 3

REVISION HISTORY

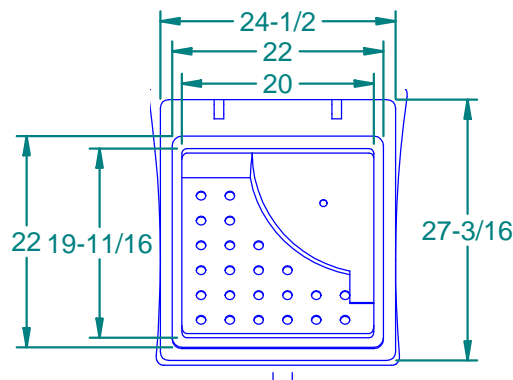
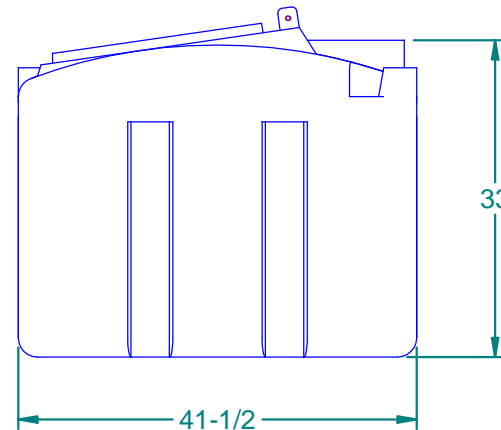
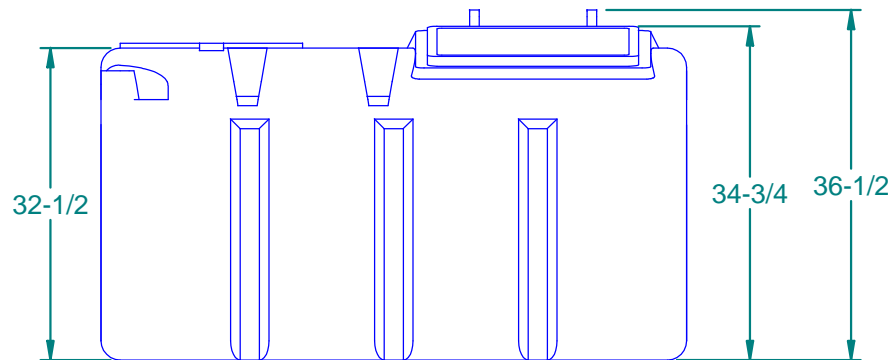
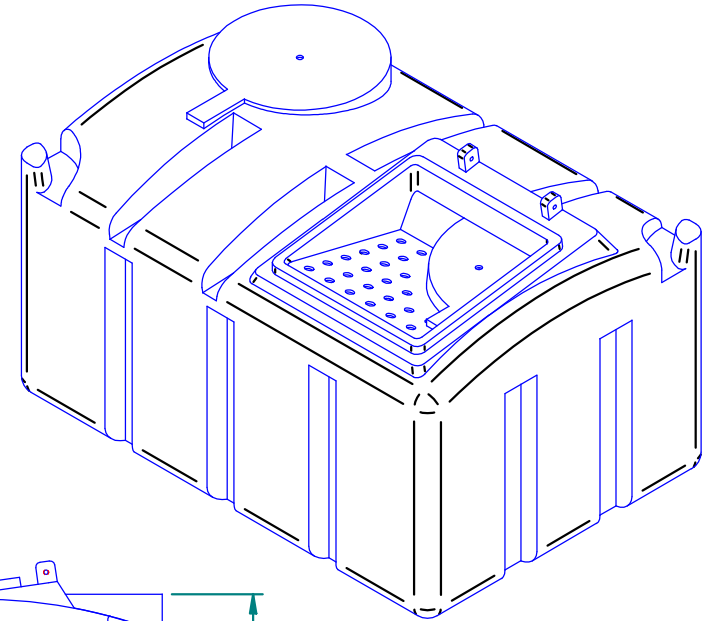
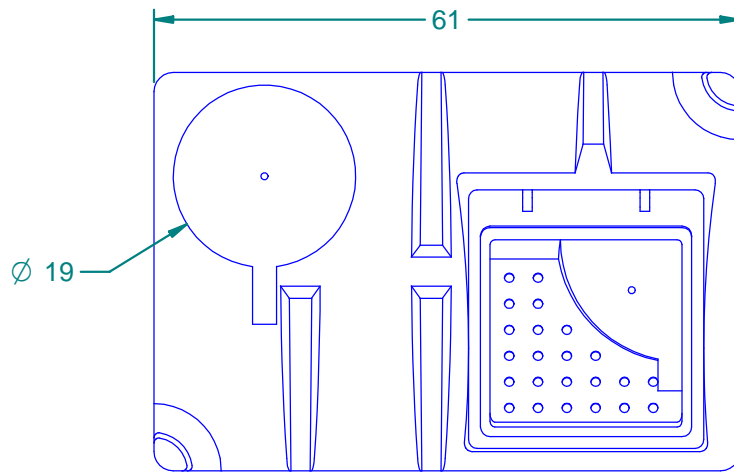
REV	DESCRIPTION	DATE	APPROVED	Revised By
A	Initial Design Release	5/21/2008		




Weight: 12.355 lbm		NAME	DATE	 16160 Hwy 27 Lake Wales, FL. 33859	
Wall Thickness: 0.250 in	DRAWN By:	McConomy	5/21/2008		
Customer Part No: N/A	Customer APPR			Customer: Dura-Cast Products, Inc	
Print Date: 5/23/2008	MFG APPR			Part Title: Bio Diesel Lid	
Comments: - UNLESS OTHERWISE SPECIFIED DIMENSIONS ARE IN INCHES - Std Radii 3/16"	Tolerance:		File Name: 300 Gal Bio Diesel Tank Rev 2.dft		
	UNLESS OTHERWISE SPECIFIED TOLERANCES ARE ±1%		Size: A	Material:	Rev: A
			Part No: N/A	Do Not Scale	Sheet: 2 OF 3

REVISION HISTORY

REV	DESCRIPTION	DATE	APPROVED	Revised By
A	Initial Design Release	5/21/2008		



Weight: 99.705 lbm		NAME	DATE	 16160 Hwy 27 Lake Wales, FL. 33859
Wall Thickness: 0.250 in	DRAWN By: McConomy		5/21/2008	
Customer Part No: N/A	Customer APPR			Customer: Dura-Cast Products, Inc
Print Date: 5/23/2008	MFG APPR			Part Title: 300 Gal Bio Diesel
Comments: - UNLESS OTHERWISE SPECIFIED DIMENSIONS ARE IN INCHES - Std Radii 3/16"	Tolerance: UNLESS OTHERWISE SPECIFIED TOLERANCES ARE ±1%	File Name: 300 Gal Bio Diesel Tank Rev 2.dwg		
		Size: A	Material:	Rev: A
		Part No: N/A	Do Not Scale	Sheet: 3 OF 3