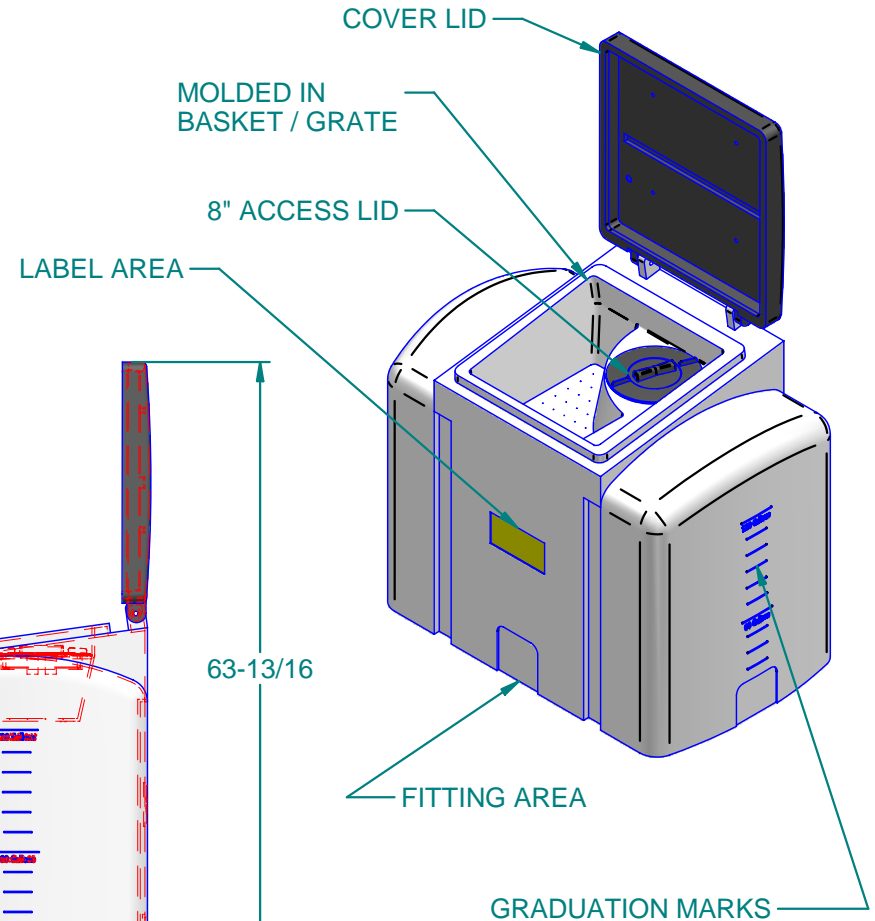
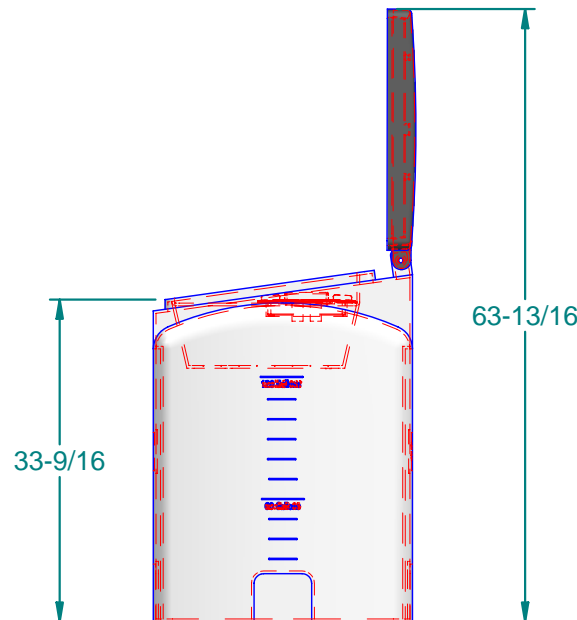
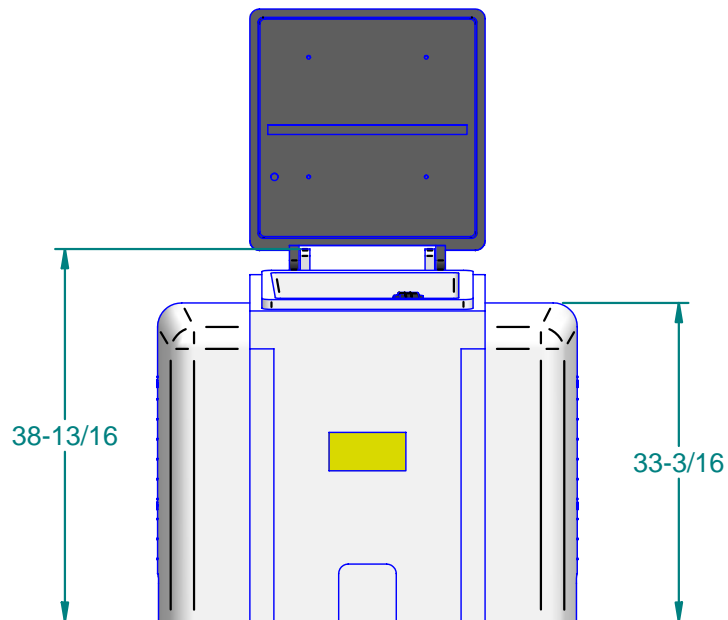
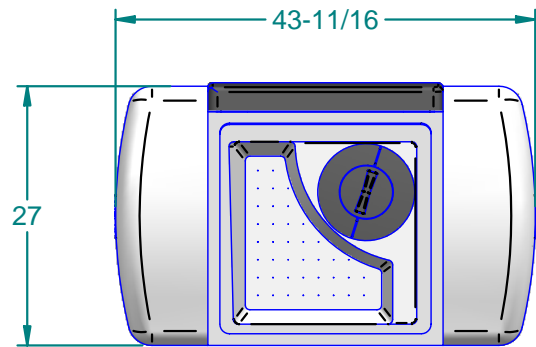



MAIN PRODUCT INFORMATION



REVISION HISTORY

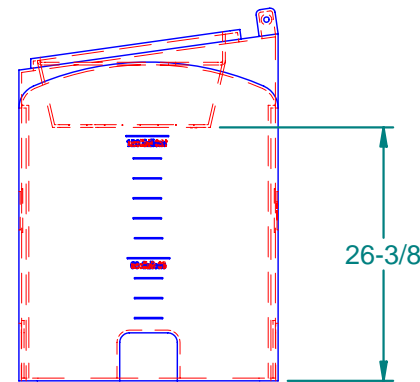
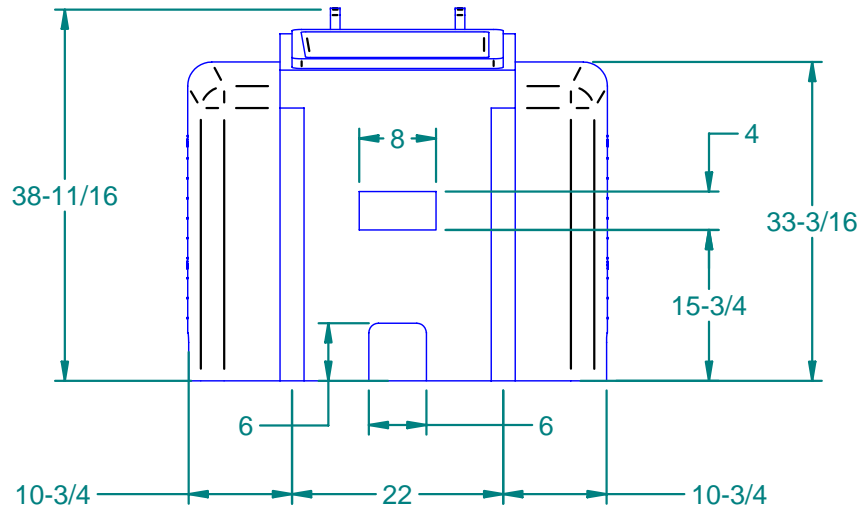
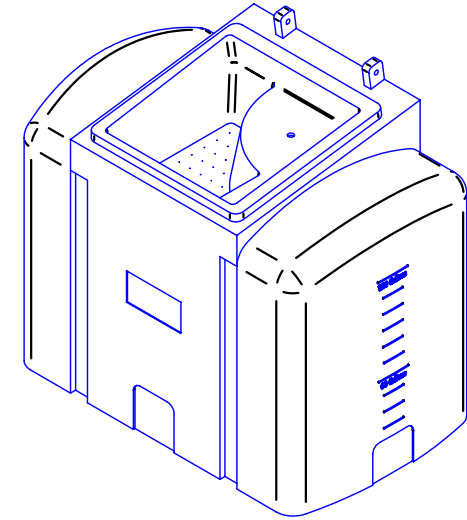
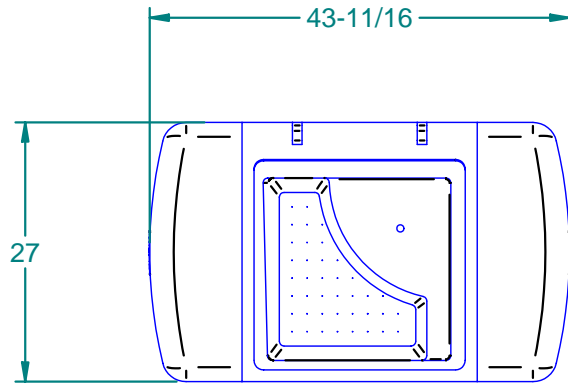
REV	DESCRIPTION	DATE	APPROVED	Revised By
A	Initial Design Release	6/16/2008		


Weight: 0.000 lbm	NAME	DATE	 16160 Hwy 27 Lake Wales, FL. 33859	
Wall Thickness: Name?Thinwall_L_Thickness	Drawn By: mnegron	6/16/2008		
Customer Part No: Name?Customer Part No	Customer APPR		Customer:	Dura-Cast Products, Inc.
Print Date: 11/7/2007	Copyright ©2007 Dura-Cast Products, Inc.		Part Title:	125 Gal Bio Diesel Tank
Comments: - UNLESS OTHERWISE SPECIFIED DIMENSIONS ARE IN INCHES - Std Radii 3/16"	Tolerance: UNLESS OTHERWISE SPECIFIED TOLERANCES ARE ±1%		File Name:	125 Gal Loaf Tank - BIO-DIESEL.dft
	Size: A	Material:		Rev: A
	Part No: 920125-2B10	Do Not Scale	Sheet:	1 OF 3

MOLDED TANK

REVISION HISTORY

REV	DESCRIPTION	DATE	APPROVED	Revised By
A	Initial Design Release	6/16/2008		

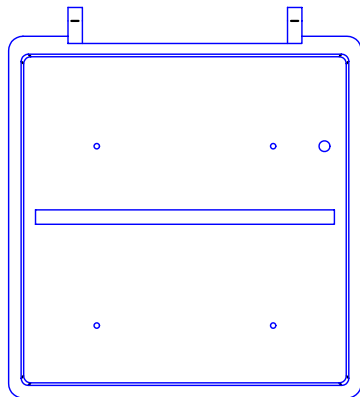
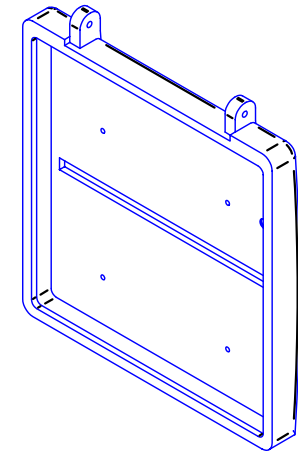
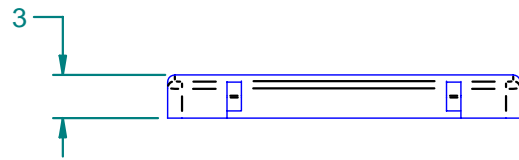
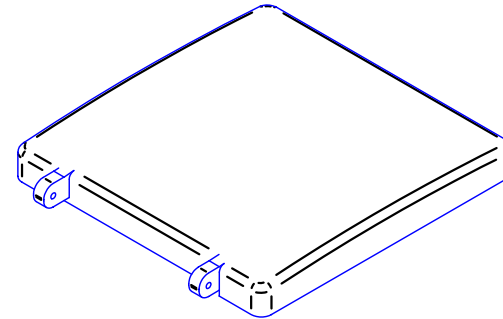
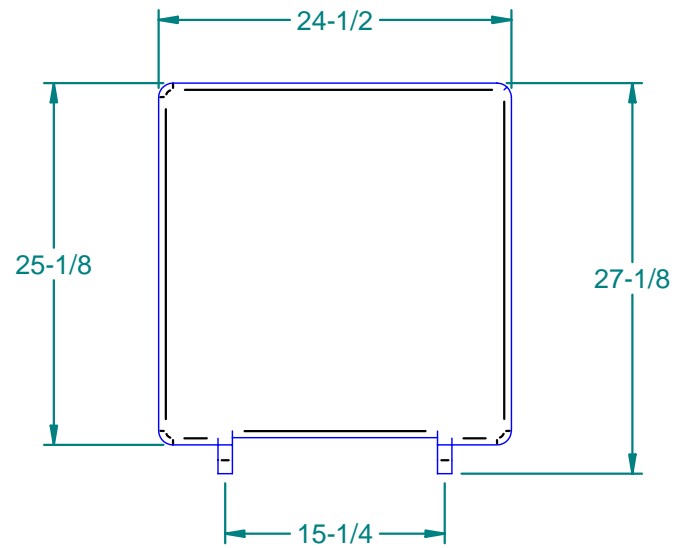



Weight: 0.000 lbm	NAME	DATE	 16160 Hwy 27 Lake Wales, FL. 33859	
Wall Thickness: Name?Thinwall_L_Thickness	Drawn By: mnegron	6/16/2008		
Customer Part No: Name?Customer Part No	Customer APPR		Customer: Dura-Cast Products, Inc.	
Print Date: 11/7/2007	Copyright ©2007 Dura-Cast Products, Inc.		Part Title: 125 Gal Bio Diesel Tank	
Comments: - UNLESS OTHERWISE SPECIFIED DIMENSIONS ARE IN INCHES - Std Radii 3/16"	Tolerance: UNLESS OTHERWISE SPECIFIED TOLERANCES ARE ±1%		File Name: 125 Gal Loaf Tank - BIO-DIESEL.dft	
	Size: A	Material:	Rev: A	
	Part No: 920125-2BIO	Do Not Scale	Sheet: 2 OF 3	

MOLDED LID

REVISION HISTORY

REV	DESCRIPTION	DATE	APPROVED	Revised By
A	Initial Design Release	6/16/2008		



Weight: 0.000 lbm	NAME	DATE	 16160 Hwy 27 Lake Wales, FL. 33859			
Wall Thickness: <small>Name?Thinwall_L_Thickness</small>	Drawn By: mnegron	6/16/2008				
Customer Part No: <small>Name?Customer Part No</small>	Customer APPR		Customer: Dura-Cast Products, Inc.			
Print Date: 11/7/2007	Copyright ©2007 Dura-Cast Products, Inc.		Part Title: 125 Gal Bio Diesel Tank			
Comments: - UNLESS OTHERWISE SPECIFIED DIMENSIONS ARE IN INCHES - Std Radii 3/16"	Tolerance: UNLESS OTHERWISE SPECIFIED TOLERANCES ARE ±1%		File Name: 125 Gal Loaf Tank - BIO-DIESEL.dft			
			Size: A	Material:	Rev: A	
			Part No: 920125-2BIO	Do Not Scale	Sheet:	3 OF 3