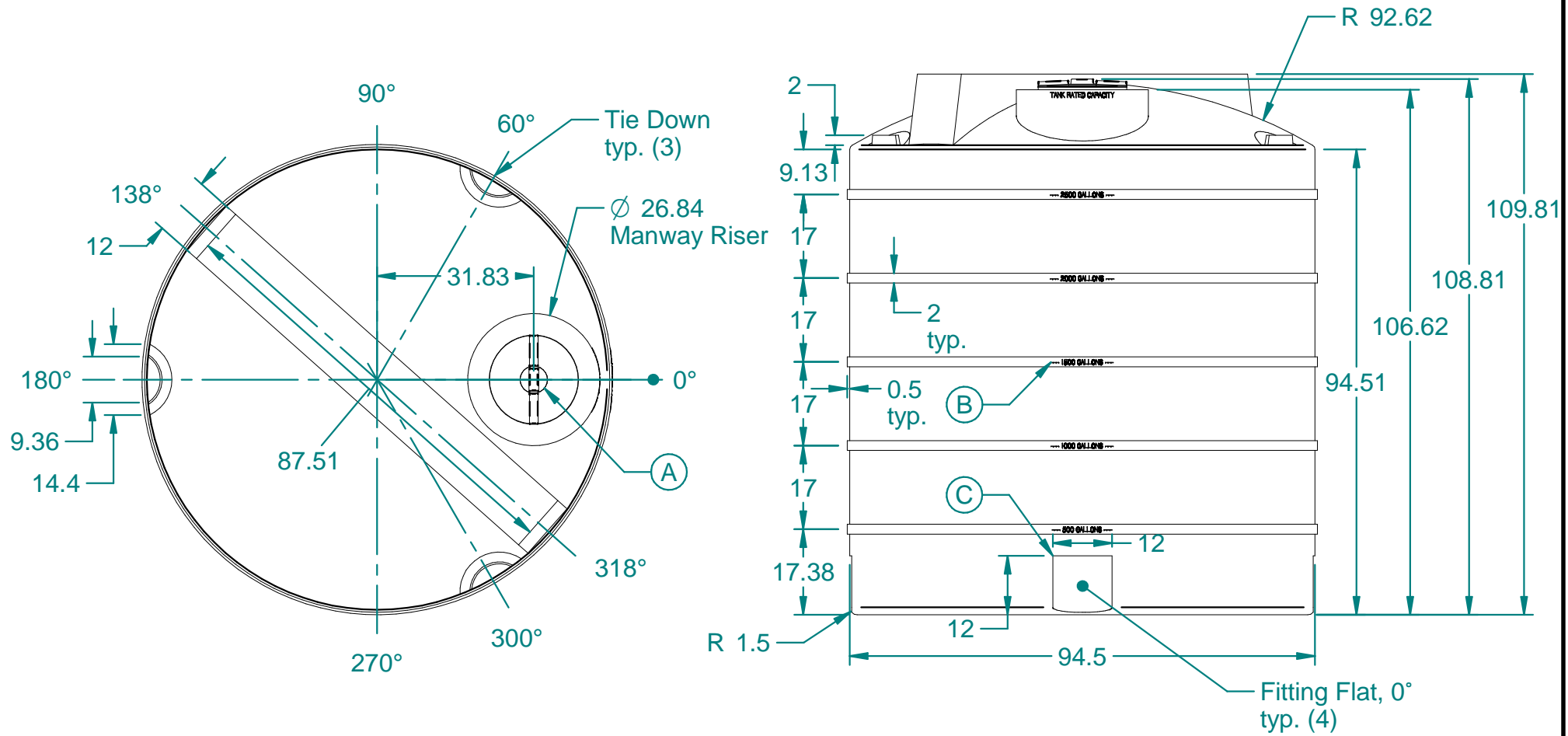



903000 3000 Gallon Vertical Tank



- A. 18" HDPE THREADED - VENTED MANWAY W/ 16" ACCESS, BLACK, W/ SS SCREWS (P/N 751016)
- B. TANK CALIBRATION AT 0° IN 500 GALLON INCREMENTS
- C. TANK FITTINGS TO BE INSTALLED AT TIME OF SHIPMENT AS PER DURA-CAST PROCEDURES

Weight: <small>Dependent on specific gravity rating</small>		NAME	DATE	 <p>16160 Hwy 27 Lake Wales, FL. 33859</p>
Wall Thickness: <small>Dependent on specific gravity rating</small>	Drawn By:	S. Arant	3/6/2012	
Customer Part No: N/A	Customer APPR			
Print Date: 8/28/2012	COPYRIGHT©2012 DURA-CAST PRODUCTS, INC.		Customer: Dura-Cast Products, Inc.	
Comments: - UNLESS OTHERWISE SPECIFIED DIMENSIONS ARE IN INCHES - Std Radii 3/16"	UNLESS OTHERWISE SPECIFIED TOLERANCES ARE DIMS > 10" ±1% DIMS < 10" ±0.100 WALL THICKNESS ± 20% FLATNESS ± .030 in/in		PartTitle: 903000 3000 Gallon Vertical Tank	File Name: 903000 3000 Gallon Vertical Tank.dft
	Size: A	Material: HDPE 942	Rev:	
	Part No: 903000	Do Not Scale	Sheet:	1 OF 1