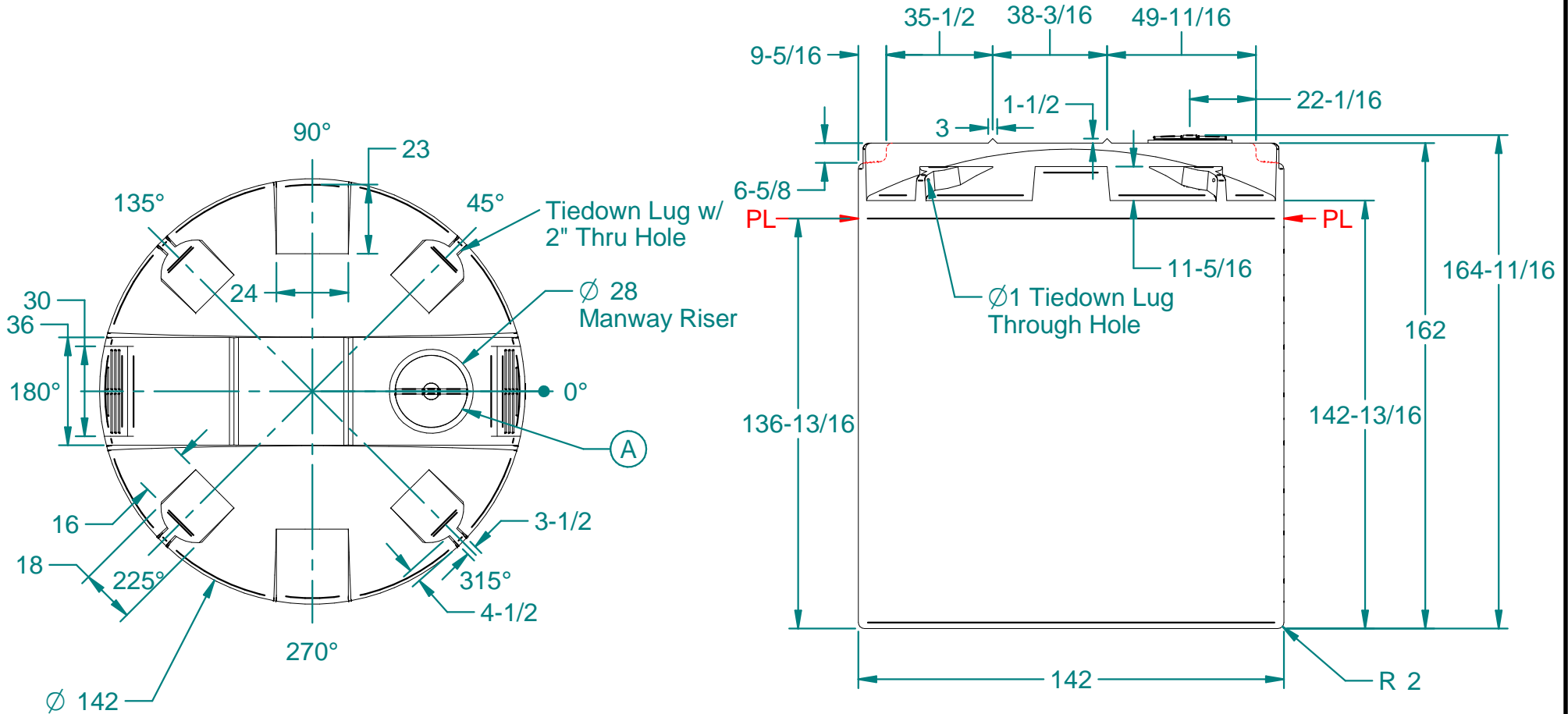



10000 Gallon Tank

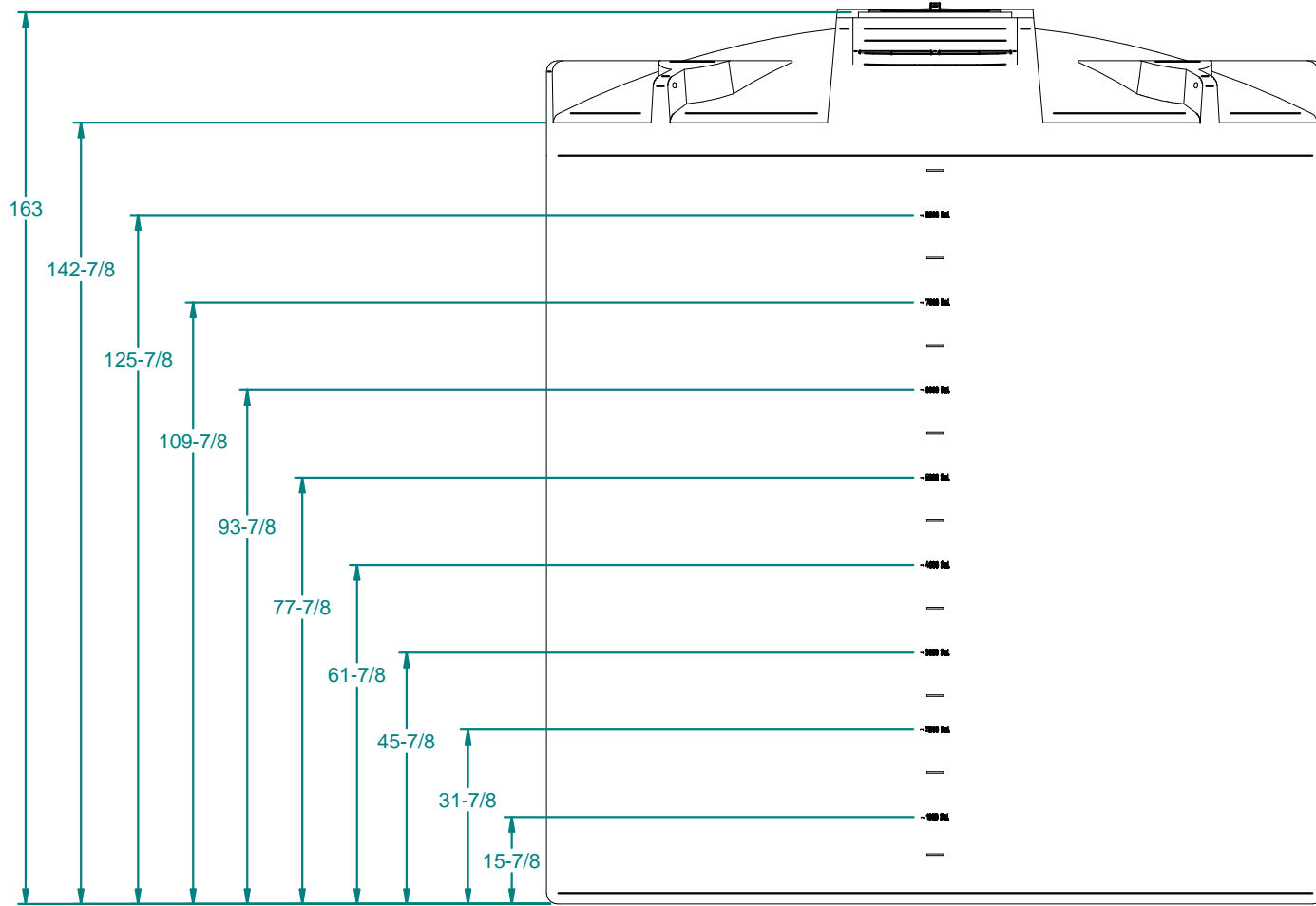


A. 24" HDPE THREADED - VENTED MANWAY W/ 22" ACCESS, BLACK, W/ SS SCREWS (P/N 751022)

TANK FITTINGS TO BE INSTALLED AT TIME OF SHIPMENT AS PER DURA-CAST PROCEDURES


Weight: Dependent on specific gravity rating		NAME	DATE	 16160 Hwy 27 Lake Wales, FL. 33859	
Wall Thickness: Dependent on specific gravity rating	Drawn By: SARant		2/20/2013		
Customer Part No: N/A	Customer APPR			Customer: Dura-Cast Products, Inc.	
Print Date: 5/3/2013	COPYRIGHT©2012 DURA-CAST PRODUCTS, INC.			Part Title: 10000 Gallon Tank	
Comments: - UNLESS OTHERWISE SPECIFIED DIMENSIONS ARE IN INCHES - Std Radii 3/16"	UNLESS OTHERWISE SPECIFIED TOLERANCES ARE DIMS > 10" ±1% DIMS < 10" ±0.100 WALL THICKNESS ± 20% FLATNESS ± .030 in/in		File Name: 910000 10000 Gallon Vertical Tank.dft		
			Size: A	Material: HDPE 942	Rev:
			Part No: 910000-A0200XXI	Do Not Scale	Sheet: 1 OF 2

10000 Gallon Tank



10000 GALLON VERTICAL TANK
WALL THICKNESS (IN.)
BASED ON ASTM D1998-06

GALLON	HEIGHT (IN.)	1.2 S.G.	1.5 S.G.	1.9 S.G.
	BOTTOM KNUCKLE	0.86	1.07	1.36
1000	15.875	0.77	0.97	1.23
2000	31.875	0.69	0.86	1.09
3000	45.875	0.63	0.77	0.98
4000	61.875	0.63	0.67	0.84
5000	77.875	0.63	0.63	0.71
6000	93.875	0.63	0.63	0.63
7000	109.875	0.63	0.63	0.63
8000	125.875	0.63	0.63	0.63
	TOP KNUCKLE	0.63	0.63	0.63

Weight: <i>Dependent on specific gravity rating</i>		NAME	DATE	 16160 Hwy 27 Lake Wales, FL. 33859
Wall Thickness: <i>Dependent on specific gravity rating</i>	Drawn By: SARant		2/20/2013	
Customer Part No: N/A	Customer APPR			Customer: Dura-Cast Products, Inc.
Print Date: 5/3/2013	COPYRIGHT©2012 DURA-CAST PRODUCTS, INC.			Part Title: 10000 Gallon Tank
Comments: - UNLESS OTHERWISE SPECIFIED DIMENSIONS ARE IN INCHES - Std Radii 3/16"	UNLESS OTHERWISE SPECIFIED TOLERANCES ARE DIMS > 10" ±1% DIMS < 10" ±0.100 WALL THICKNESS ± 20% FLATNESS ± .030 in/in			File Name: 910000 10000 Gallon Vertical Tank.dft
	Size: A	Material: HDPE 942		Rev:
	Part No: 910000-A0200XXI	Do Not Scale	Sheet: 2 OF 2	