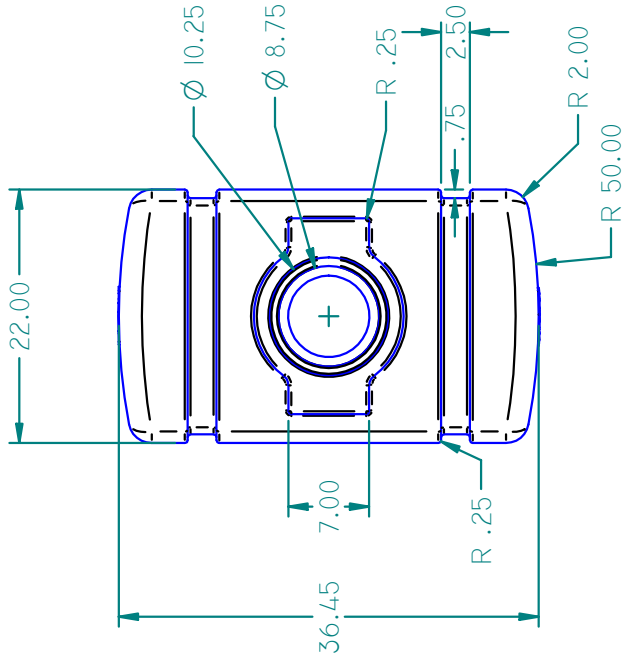
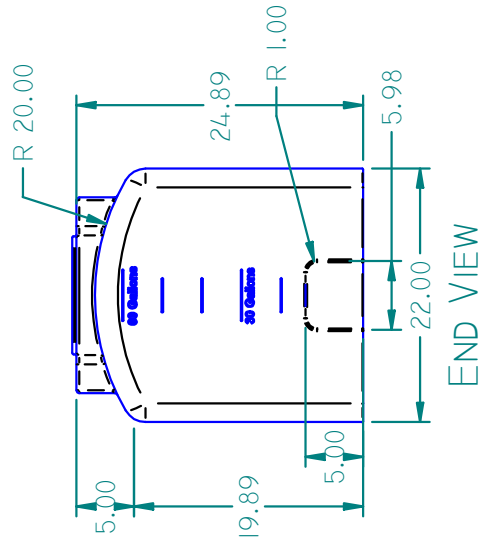


REVISION HISTORY

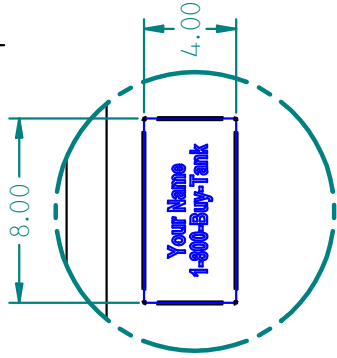
| REV | DESCRIPTION | DATE | APPROVED |
|-----|-------------|------|----------|
| | | | |



TOP VIEW

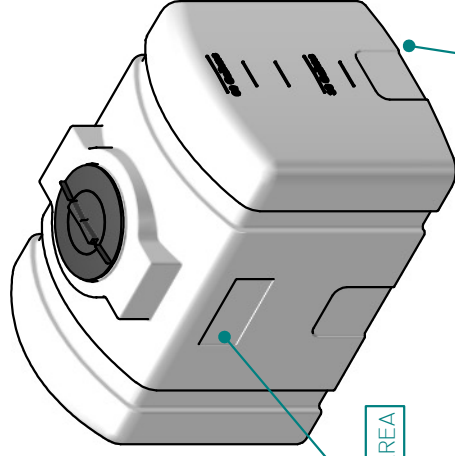


END VIEW



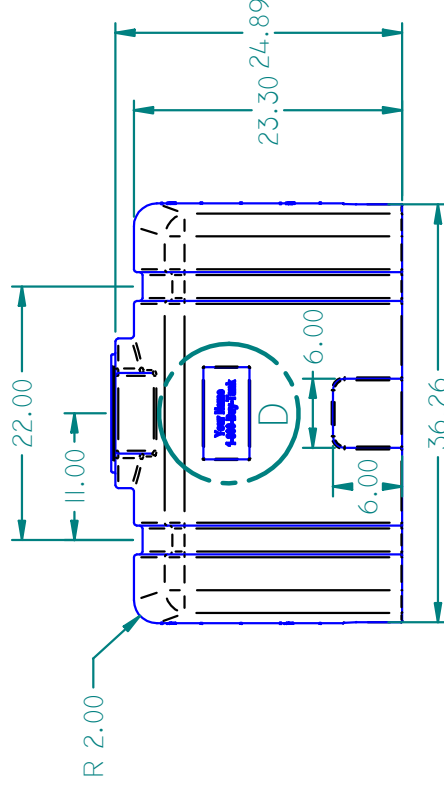
DETAIL D

LABEL OR GRAPHIC AREA
2 PLCS



ISO VIEW

FLATS FOR BULKHEAD
4 PLCS



SIDE VIEW

| TANK CAPACITY: 65 GALLONS | |
|---------------------------|-----------|
| NAME | DATE |
| DRAWN MICHAELL N. | 11/7/2005 |
| CHECKED | |
| ENG APPR | |
| MGR APPR | |



16160 Hwy 27 Lake Wales, FL 33859

TITLE 65 GALLON HORZ TANK

SIZE A MATERIAL: HDPE (200) NATURAL REV

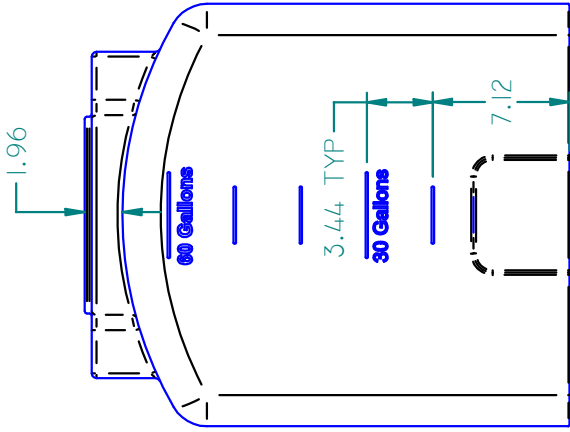
FILE NAME: 65 GALLON HOAF TANK.DFT

PART#: 100000 WEIGHT: 31.484 LBM SHEET 1 OF 3

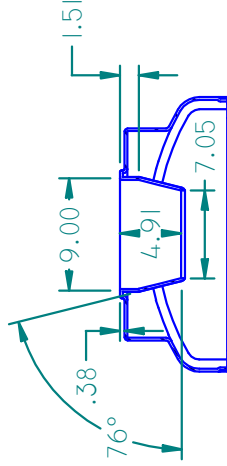
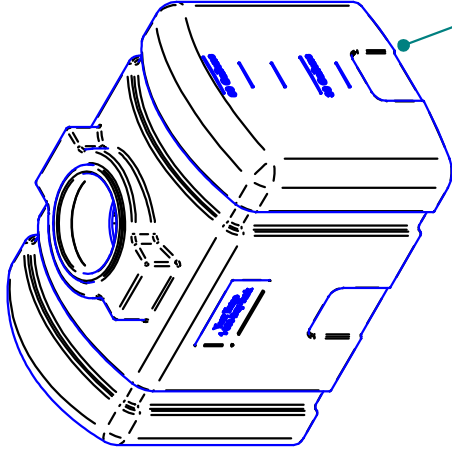
UNLESS OTHERWISE SPECIFIED
DIMENSIONS ARE IN INCHES
ANGLES ±0.5°
2 PL ±0.125" 3 PL ±0.060"

REVISION HISTORY

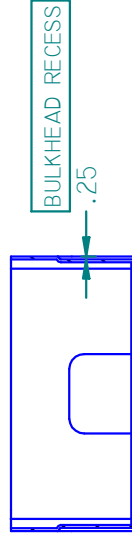
| REV | DESCRIPTION | DATE | APPROVED |
|-----|-------------|------|----------|
| | | | |



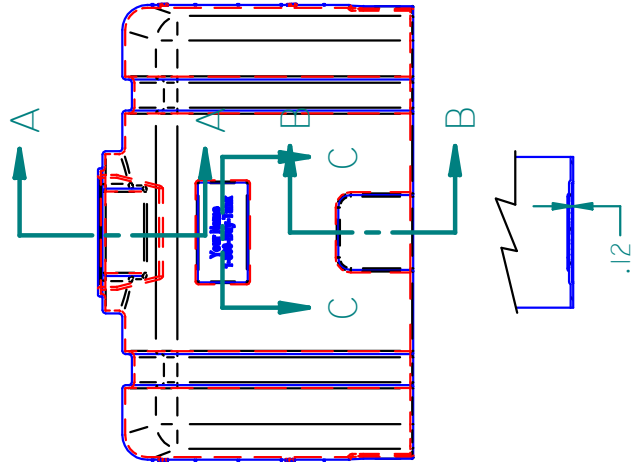
END VIEW



SECTION A-A



SECTION B-B



SECTION C-C



16160 Hwy 27 Lake Wales, FL 33859

TITLE: 65 GALLON HORZ TANK

| | | |
|------|------------------------------|-----|
| SIZE | MATERIAL: HDPE (200) NATURAL | REV |
| A | | |

FILE NAME: 65 GALLON HOAF TANK.DFT

PART#: 100000

WEIGHT: 31.484 LBM

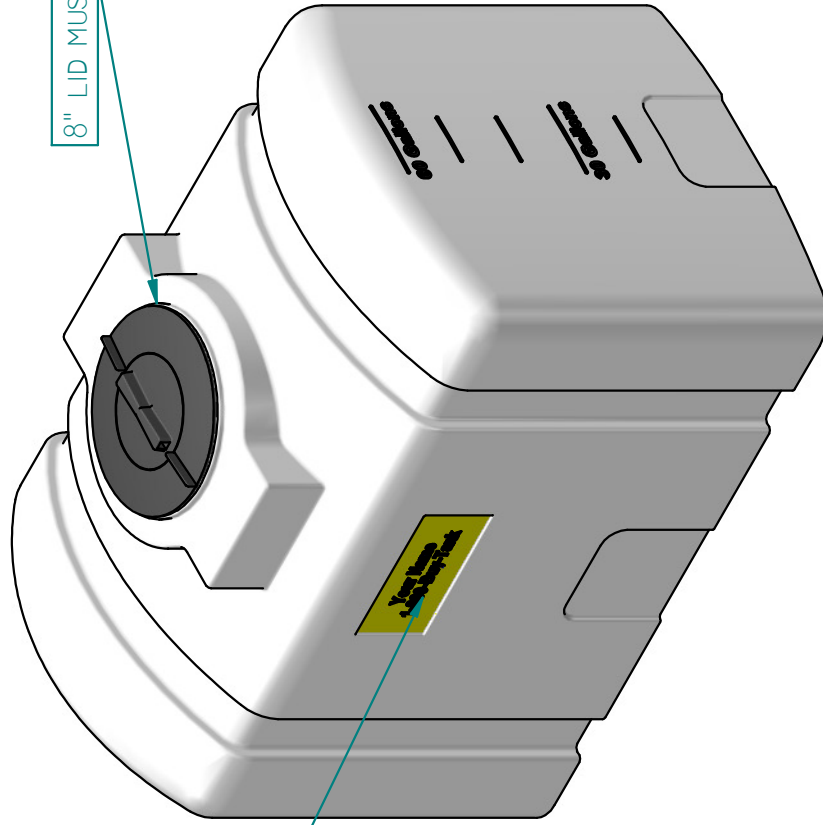
SHEET 2 OF 3

| NAME | DATE |
|--------------------|-----------|
| DRAWN: MICHAELL N. | 11/7/2005 |
| CHECKED: | |
| ENG APPR: | |
| MGR APPR: | |

UNLESS OTHERWISE SPECIFIED
DIMENSIONS ARE IN INCHES
ANGLES ±0.5°
2 PL ±0.125" 3 PL ±0.060"

REVISION HISTORY

| REV | DESCRIPTION | DATE | APPROVED |
|-----|-------------|------|----------|
| | | | |



8" LID MUST BE TETHERED TO INSIDE CONE

CUSTOMER LABEL OR GRAPHIC
2 PLCS

TANK SHOWN ASSEMBLED
WITH 8" MANWAY



16160 Hwy 27 Lake Wales, FL 33859

TITLE: 65 GALLON HORZ TANK

SIZE: A MATERIAL: HDPE (200) NATURAL REV

FILE NAME: 65 GALLON HOAF TANK.DFT

PART #: 100000 WEIGHT: 31.484 LBM SHEET 3 OF 3

| NAME | DATE |
|------------|-----------|
| MICHAEL N. | 11/7/2005 |
| CHECKED | |
| ENG APPR | |
| MGR APPR | |

UNLESS OTHERWISE SPECIFIED
DIMENSIONS ARE IN INCHES
ANGLES ±0.5°
2 PL ±0.125" 3 PL ±0.060"