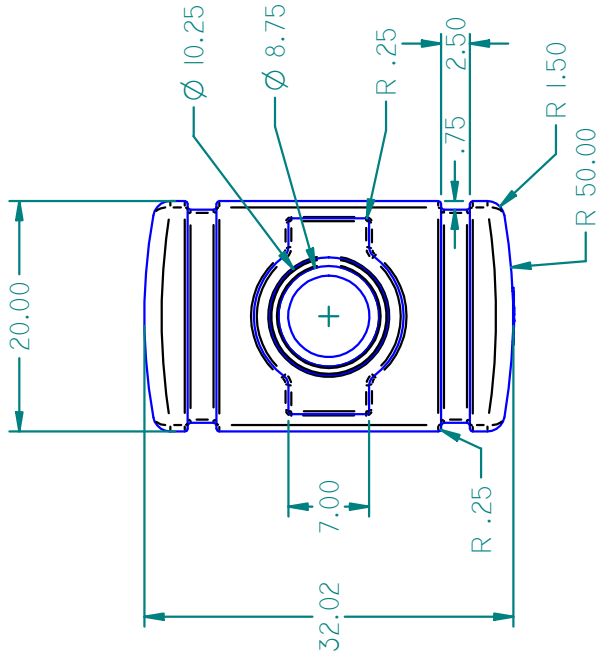
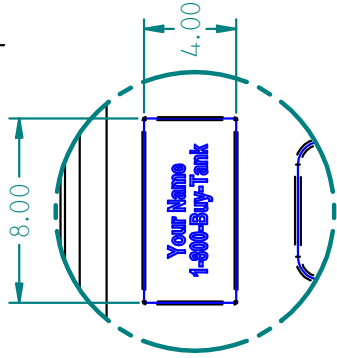


REVISION HISTORY

REV	DESCRIPTION	DATE	APPROVED

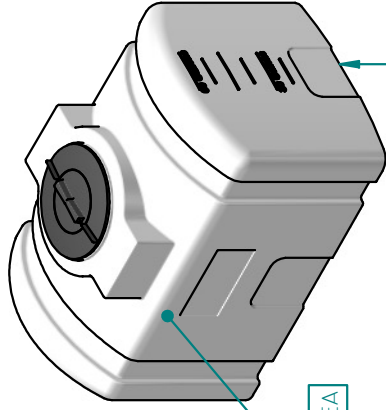


TOP VIEW

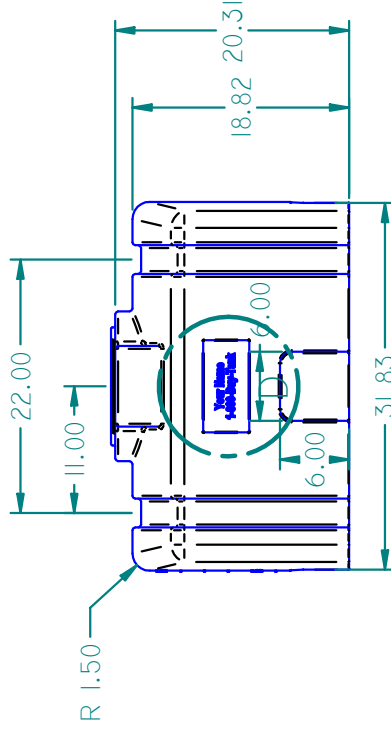


DETAIL D

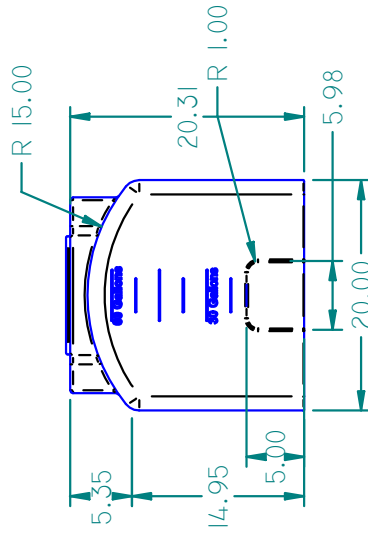
LABEL OR GRAPHIC AREA
2 PLCS



ISO VIEW



SIDE VIEW



END VIEW

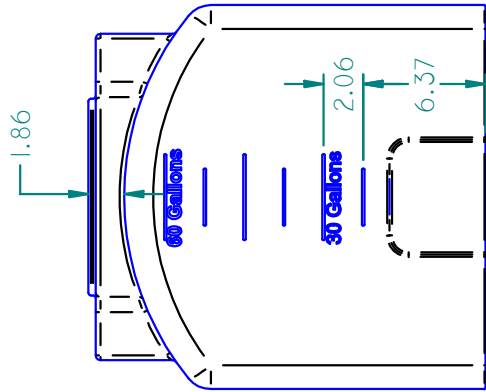
TANK CAPACITY: 40 GALLONS	
NAME	DATE
DRAWN MICHAEL N.	11/7/2005
CHECKED	
ENG APPR	
MGR APPR	

UNLESS OTHERWISE SPECIFIED
DIMENSIONS ARE IN INCHES
ANGLES ±0.5°
2 PL ±0.125" 3 PL ±0.060"

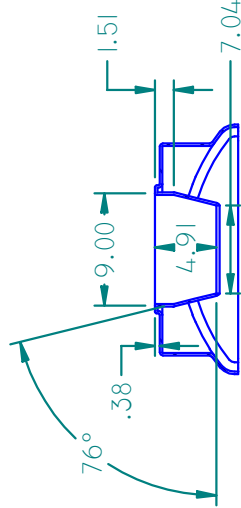
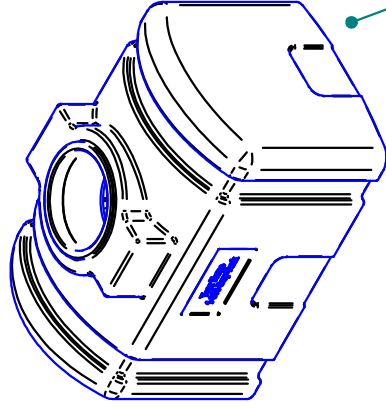
	
16160 Hwy 27 Lake Wales, FL 33859	
TITLE 40 GALLON HORZ TANK	
SIZE A	REV
MATERIAL: HDPE (200) NATURAL	
FILE NAME: 40 GALLON HOAF TANK.DFT	
PART#: 100000	WEIGHT: 21.176 LBM
SHEET OF 3	

REVISION HISTORY

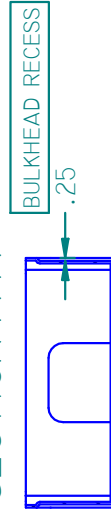
REV	DESCRIPTION	DATE	APPROVED



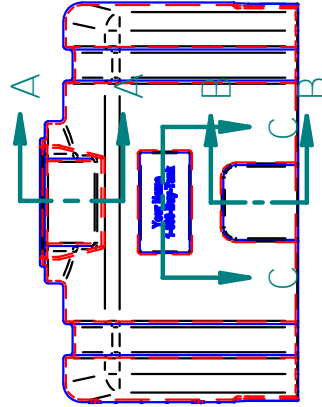
END VIEW



SECTION A-A



SECTION B-B



SECTION C-C



16160 Hwy 27 Lake Wales, FL 33859

TITLE: 40 GALLON HORZ TANK

SIZE: A
MATERIAL: HDPE (200) NATURAL

FILE NAME: 40 GALLON HOAF TANK.DFT

PART #: 100000

WEIGHT: 21.176 LBM

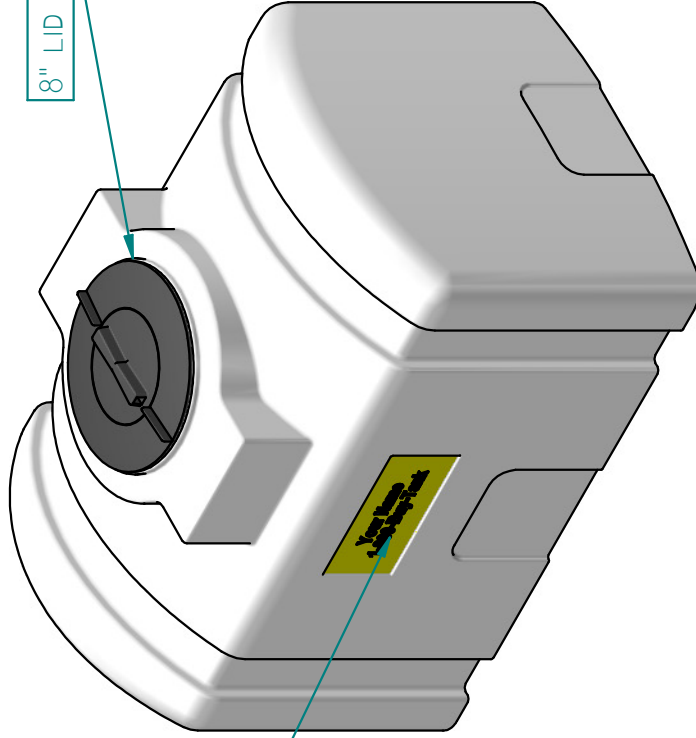
SHEET 2 OF 3

NAME	DATE
DRAWN: MICHAEL N.	11/7/2005
CHECKED:	
ENG APPR:	
MGR APPR:	

UNLESS OTHERWISE SPECIFIED
DIMENSIONS ARE IN INCHES
ANGLES ±0.5°
2 PL ±0.125" 3 PL ±0.060"

REVISION HISTORY

REV	DESCRIPTION	DATE	APPROVED



8" LID MUST BE TETHERED TO INSIDE CONE

CUSTOMER LABEL OR GRAPHIC
2 PLCS

TANK SHOWN ASSEMBLED
WITH 8" MANWAY



16160 Hwy 27 Lake Wales, FL 33859

TITLE 40 GALLON HORZ TANK

SIZE A MATERIAL: HDPE (200) NATURAL REV

FILE NAME: 40 GALLON HOAF TANK.DFT

PART#: 100000 WEIGHT: 21.176 LBM SHEET 3 OF 3

NAME	DATE
MICHAELL N.	11/7/2005
CHECKED	
ENG APPR	
MGR APPR	

UNLESS OTHERWISE SPECIFIED
DIMENSIONS ARE IN INCHES
ANGLES ±0.5°
2 PL ±0.125" 3 PL ±0.060"