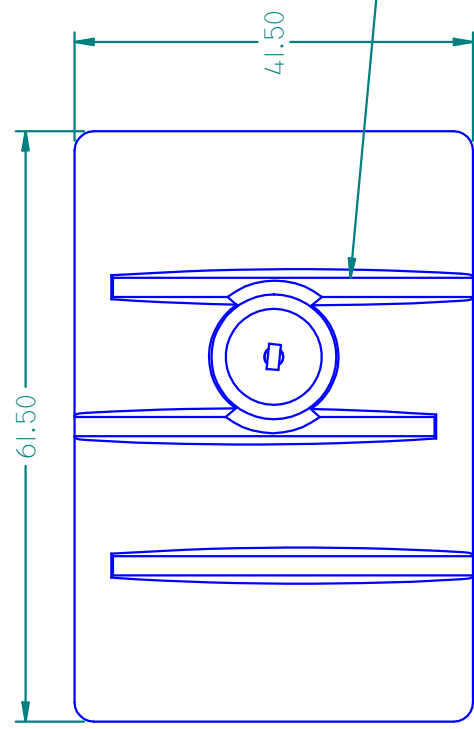
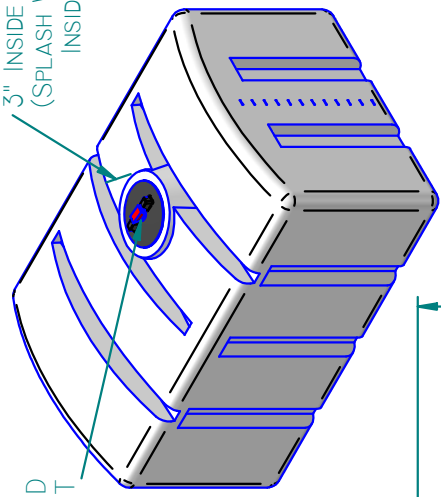


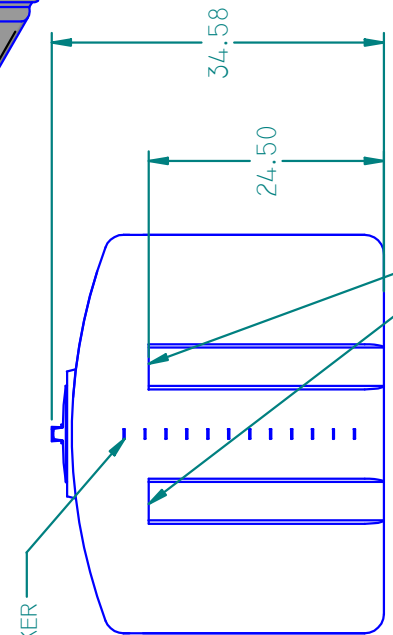
REVISION HISTORY

REV	DESCRIPTION	DATE	APPROVED
5	CHG OVERALL SIZE	02-14-05	

8 IN THREADED LID W/ VENT
 3" INSIDE RECESS (SPLASH WALL) INSIDE



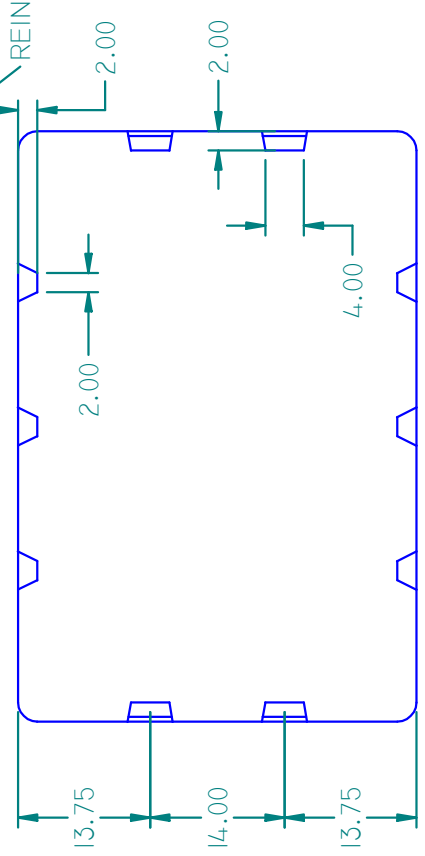
REINFORCING RIBS (SLOPED FOR DRAINAGE)



GALLON MARKER

TANK HANDLES TYP (4) PLCS

REINFORCING RIBS TYP (9) PLCS



16160 Hwy 27 Lake Wales, FL 33859

TITLE		300 GAL LOAF TANK	
SIZE	A	MATERIAL	POLYETHYLENE
REV	5		
FILE NAME: 300 GAL LOAF TANK (SALES).DFT			
PART#: 920300		WEIGHT: 100 LBM	SHEET 1 OF 1

NAME	DATE
DRAWN MNEGRON	09/08/04
CHECKED	
ENG APPR	
MGR APPR	

UNLESS OTHERWISE SPECIFIED
 DIMENSIONS ARE IN INCHES
 ANGLES ±0.5°
 2 PL ±0.125" 3 PL ±0.060"

WALL THICKNESS: 0.250 IN