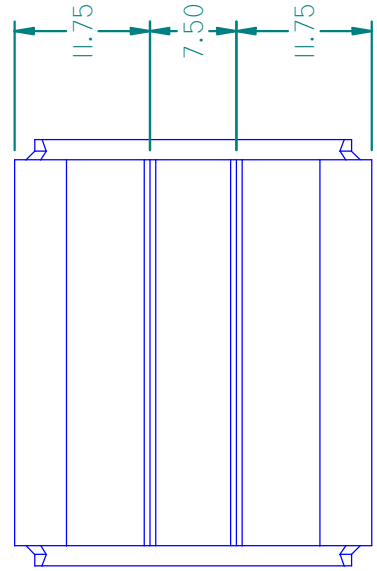
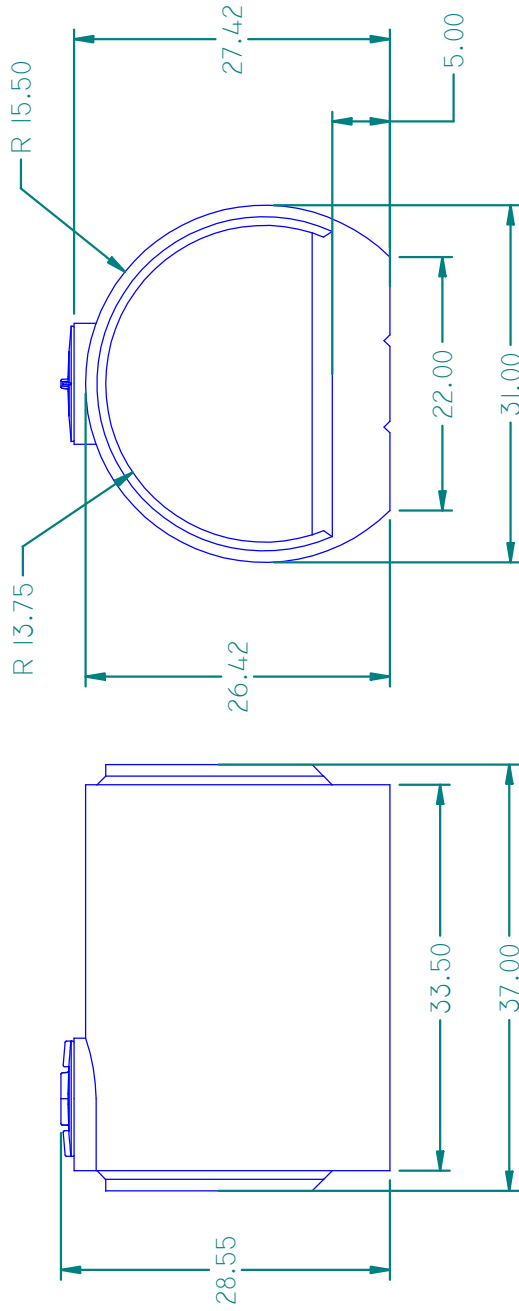
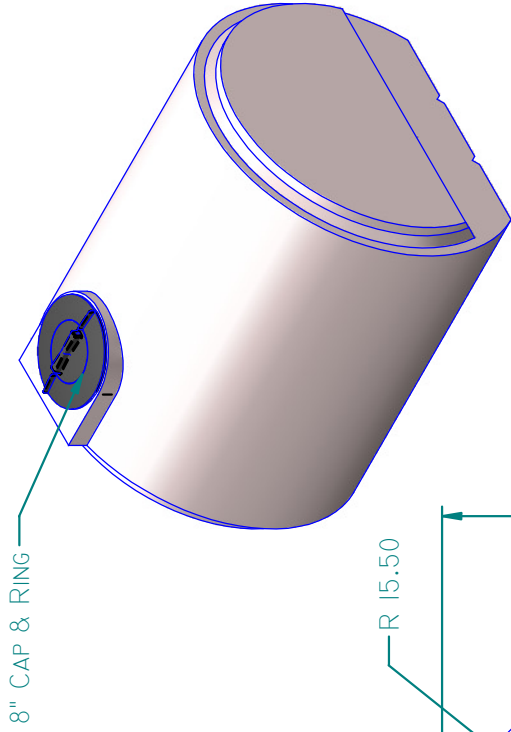
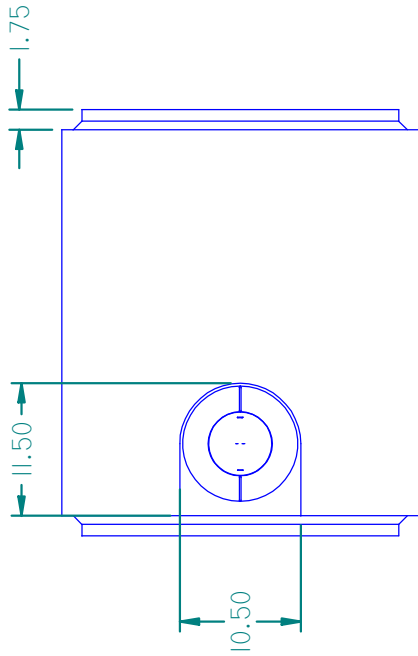


REVISION HISTORY

REV	DESCRIPTION	DATE	APPROVED



16160 Hwy 27 Lake Wales, FL 33859

TITLE H-100 GALLON HORIZONTAL TANK

SIZE A MATERIAL: POLYETHYLENE, LOW DENSITY REV

FILE NAME: 100 GAL LOAF TANK.DFT

PART#: 920100

WEIGHT: 46.265 LBM

SHEET 1 OF 1

NAME	DATE
MNEGRON	1/10/2006
CHECKED	
ENG APPR	
MGR APPR	

UNLESS OTHERWISE SPECIFIED
DIMENSIONS ARE IN INCHES
ANGLES ±0.5°

2 PL ±0.125" 3 PL ±0.060"

WALL THICKNESS: 0.250"