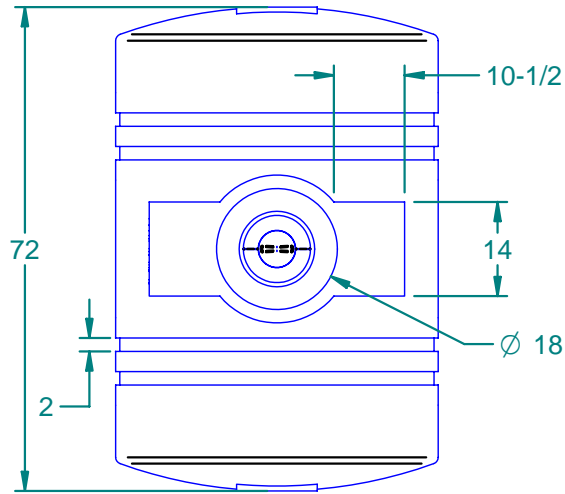
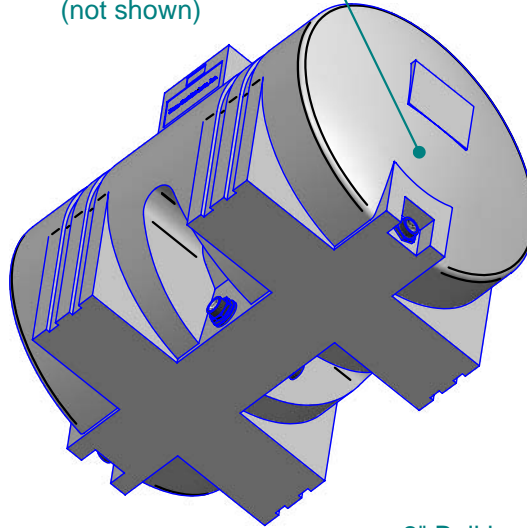


REVISION HISTORY

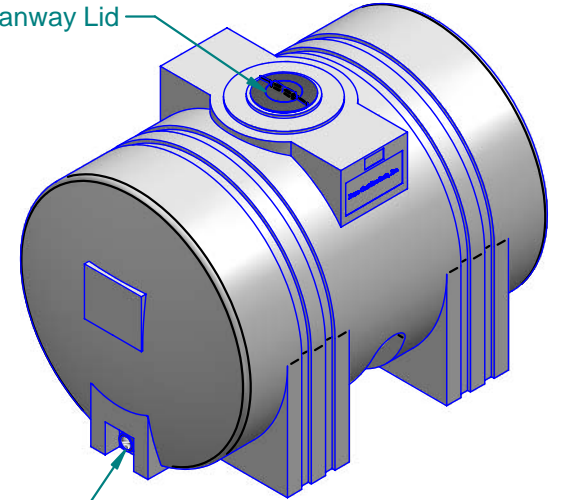
REV	DESCRIPTION	DATE	APPROVED	Revised By
A	Initial Design Release	3/8/2007		



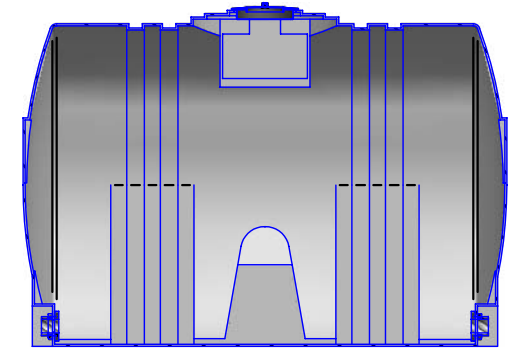
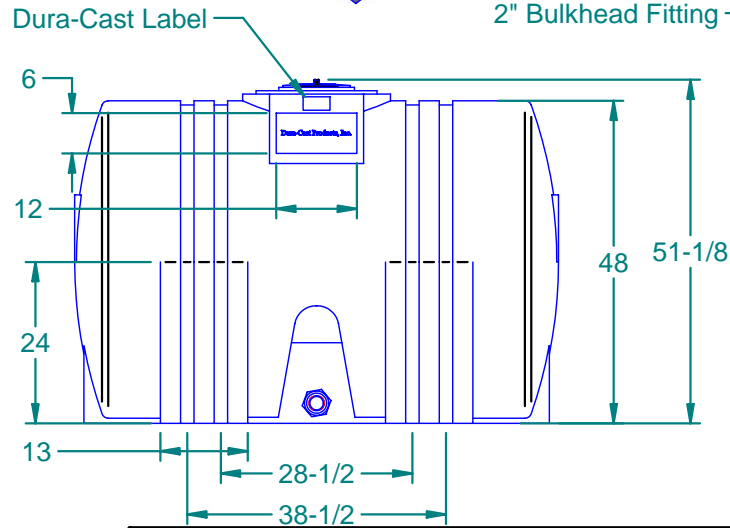
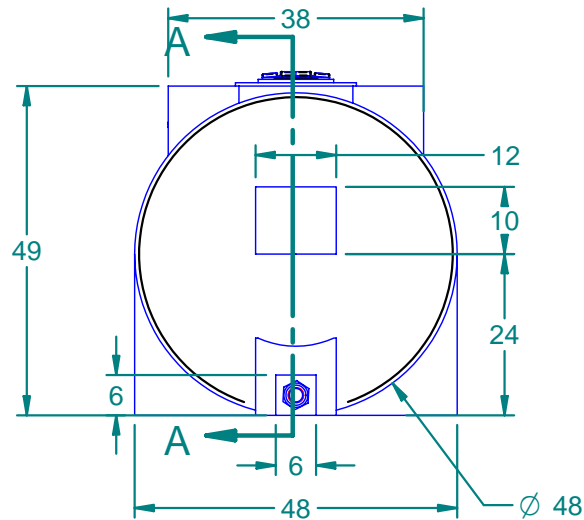
Gallons Calibration
25 Gal Intervals
Typical Both Ends
(not shown)




8" Manway Lid



2" Bulkhead Fitting



SECTION A-A

Weight: 130.218 lbm	NAME	DATE	 16160 Hwy 27 Lake Wales, FL. 33859	
Wall Thickness: Name?Wall Thickness	DRAWN By: mnegron	3/8/2007		
Customer Part No: Name?Customer Part No	Customer APPR		Customer: Dura-Cast Products, Inc.	
Print Date: 3/8/2007	MFG APPR		Part Title: 525 Gal Leg Tank	
Comments:	Tolerance: UNLESS OTHERWISE SPECIFIED DIMENSIONS ARE IN INCHES ±1% Std Radii 3/16"	File Name: 525 Gal Leg Tank.dft		
		Size: A	Material:	Rev: A
		Part No:	Do Not Scale	Sheet: 1 OF 1