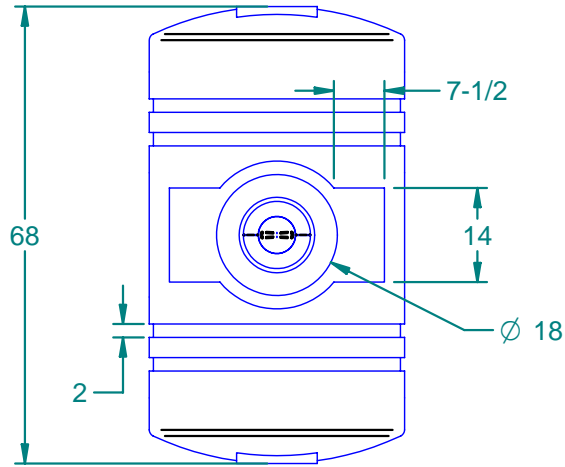
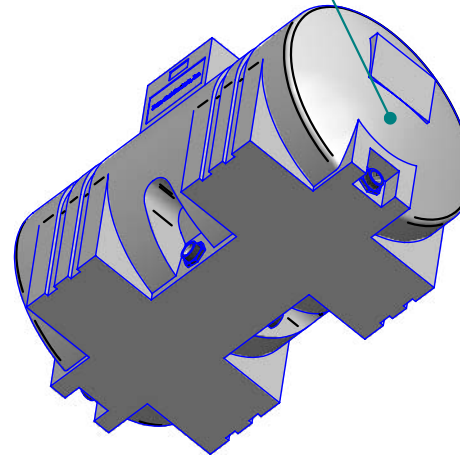


REVISION HISTORY

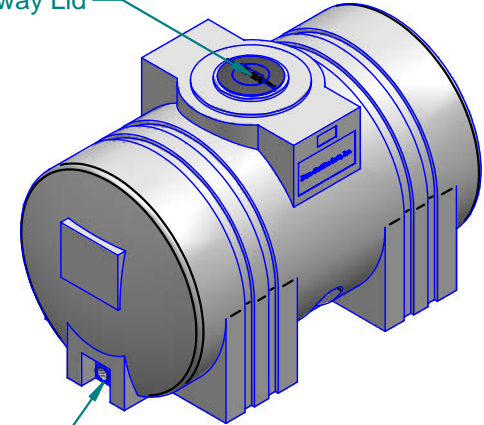
REV	DESCRIPTION	DATE	APPROVED	Revised By
A	Initial Design Release	3/2/2007		



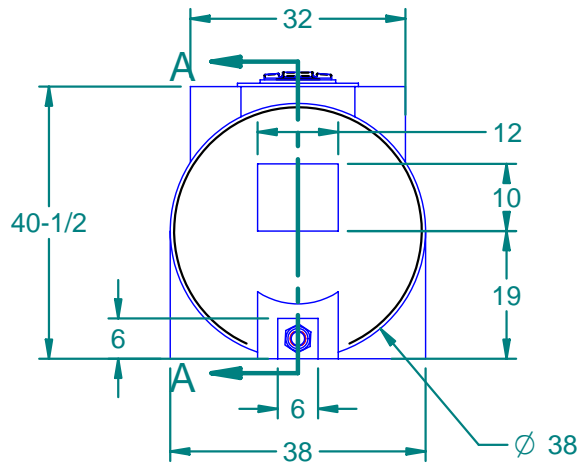
Gallons Calibration  
25 Gal Intervals  
Typical Both Ends  
(not shown)



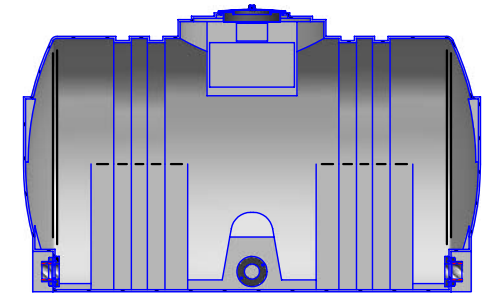
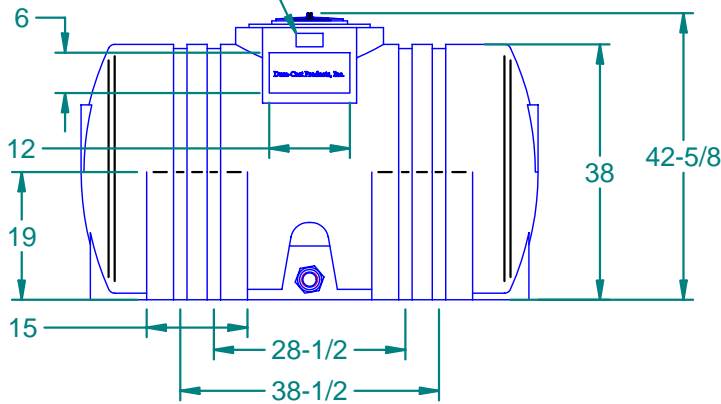
8" Manway Lid




2" Bulkhead Fitting



Dura-Cast Label



SECTION A-A

Weight: 130.218 lbm		NAME	DATE	 16160 Hwy 27 Lake Wales, FL. 33859 Customer: Dura-Cast Products, Inc. Part Title: 325 Gal Leg Tank File Name: 325 Gal Leg Tank.dft
Wall Thickness: Name?Wall Thickness	DRAWN By: mnegron		3/2/2007	
Customer Part No: Name?Customer Part No	Customer APPR			
Print Date: 3/2/2007	MFG APPR			
Comments:	Tolerance: UNLESS OTHERWISE SPECIFIED DIMENSIONS ARE IN INCHES ±1% Std Radii 3/16"			Size: A Material: Part No: Do Not Scale Sheet: 1 OF 1 Rev: A