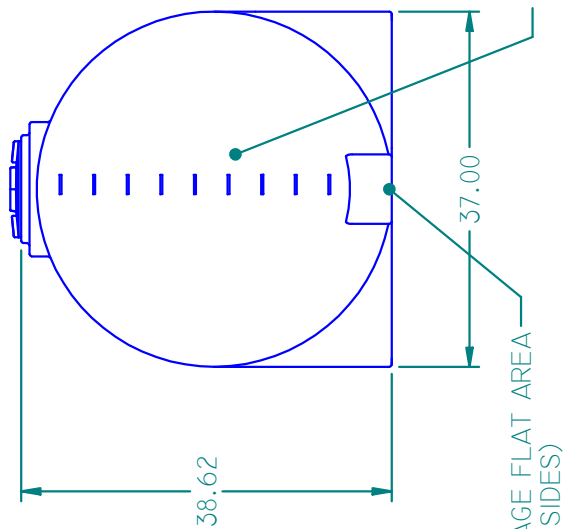
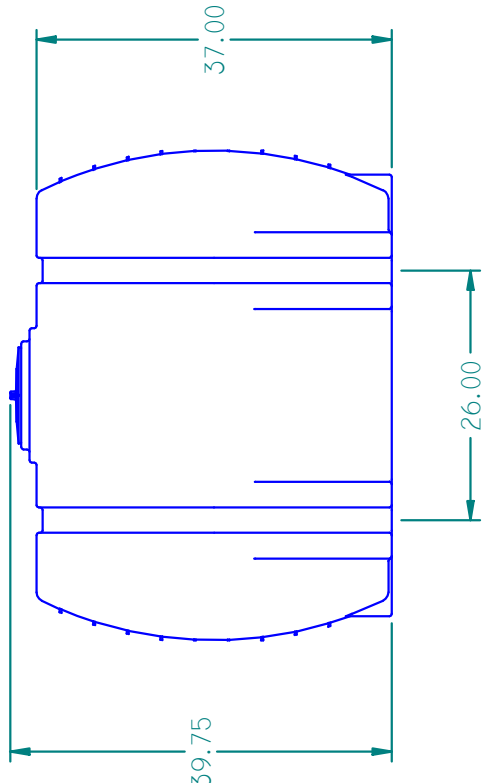
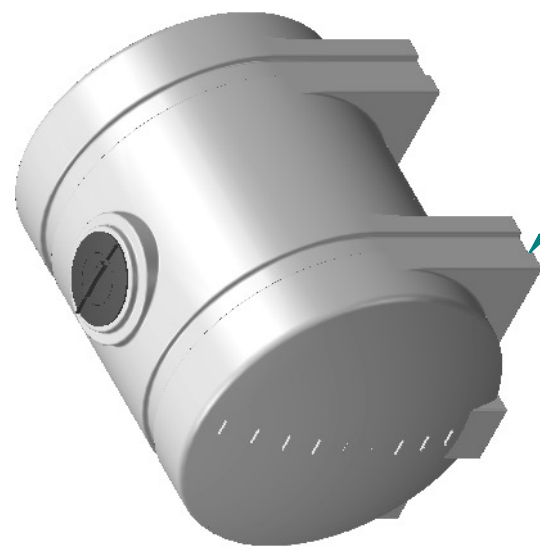
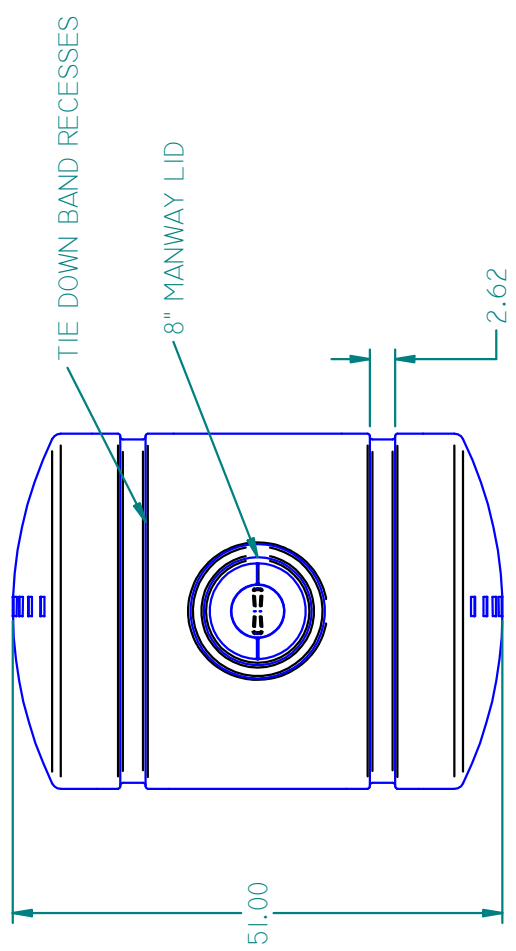


REVISION HISTORY

REV	DESCRIPTION	DATE	APPROVED



**Dura-Cast Products** INC.  
*Advancing Plastic for the Future*

16160 Hwy 27 Lake Wales, FL 33859

TITLE: 225 GAL HORIZONTAL LEG TANK

SIZE	A	MATERIAL:	LMDPE	REV
------	---	-----------	-------	-----

FILE NAME: 225 GAL HORIZONTAL LEG TANK.DFT

PART#: 920225 WEIGHT: 85.415 LBM SHEET 1 OF 1

NAME	DATE
DRAWN: MNEGRON	12/28/2004
CHECKED:	
ENG APPR:	
MGR APPR:	

THICKNESS: 0.312 IN

UNLESS OTHERWISE SPECIFIED  
 DIMENSIONS ARE IN INCHES  
 ANGLES ±0.5°  
 2 PL ±0.125" 3 PL ±0.060"