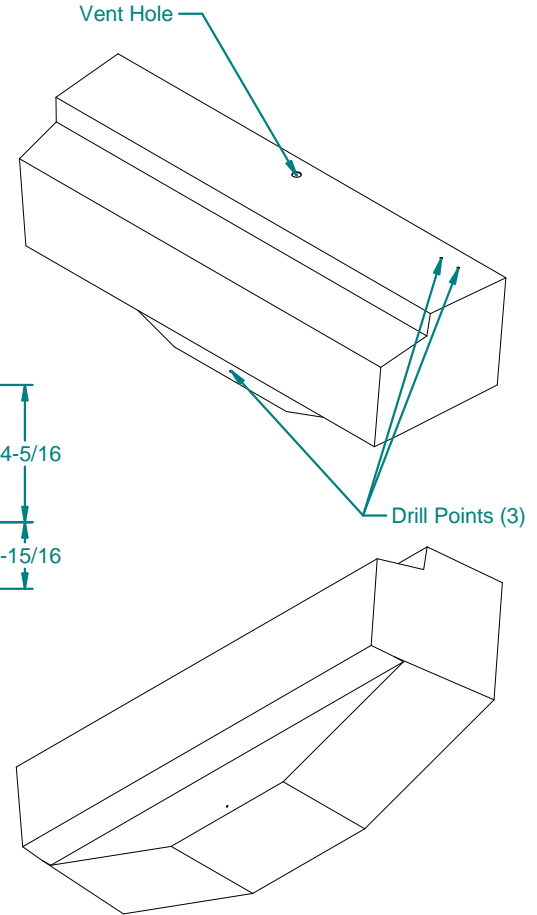
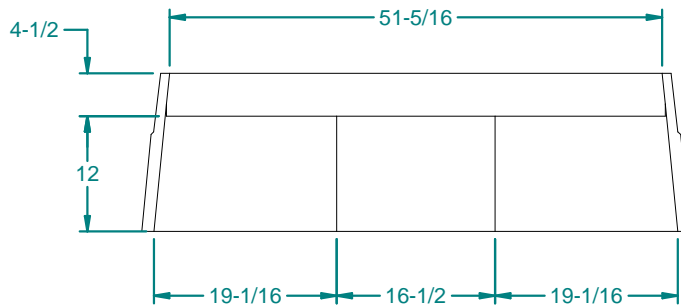
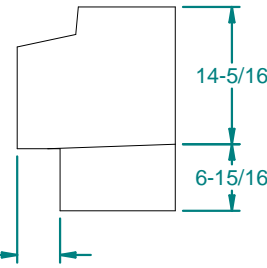
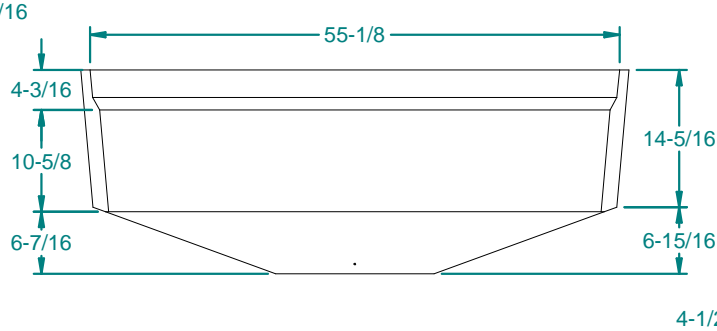
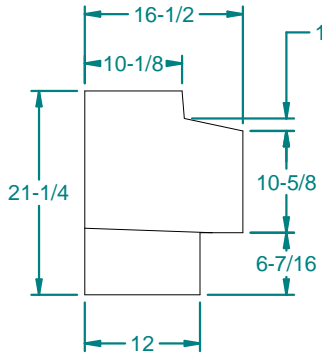
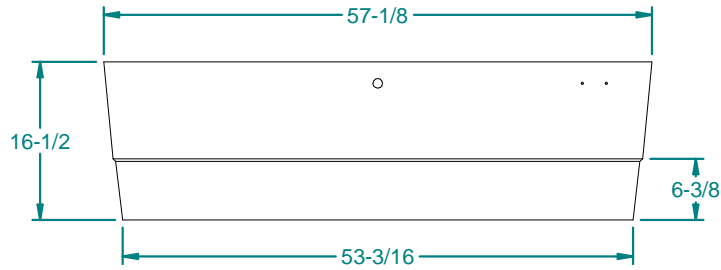



MAIN PRODUCT INFORMATION

REVISION HISTORY

| REV | DESCRIPTION | DATE | APPROVED | Revised By |
|-----|-----------------------------------|-----------|----------|------------|
| 01 | Existing Part Dimensional Drawing | 11/2/2012 | | |



| | | | | | |
|--|---|-------------------|---|---------------------|---------------|
| Weight: N/A | NAME S. Arant | DATE 11/2/2012 |  16160 Hwy 27 Lake Wales, FL. 33859 | | |
| Wall Thickness: 0.250 in | Drawn By: | | | | |
| Customer Part No: N/A | Customer APPR | | Customer: Dura-Cast Products, Inc. | | |
| Print Date: 11/2/2012 | COPYRIGHT © 2012 DURA-CAST PRODUCTS, INC. | | Part Title: 60 Gallon Holding Tank | | |
| Comments: - UNLESS OTHERWISE SPECIFIED DIMENSIONS ARE IN INCHES - Std Radii 3/16" | UNLESS OTHERWISE SPECIFIED TOLERANCES ARE DIMS > 10" ±1% DIMS < 10" ±0.100 WALL THICKNESS ± 20% FLATNESS ± .030 in/in | | File Name: 208060 60 Gallon Holding Tank.dft | | |
| | | | Size: A | Material: LLDPE 939 | Rev: 01 |
| | | | Part No: 208060 | Do Not Scale | Sheet: 1 OF 1 |