

TANKS ARE DESIGNED TO BE USED IN A HORIZONTAL POSITION. RECTANGULAR TANKS USED IN VERTICAL POSITION MAY REQUIRE ADDITIONAL WALL THICKNESS OR EXTERNAL SUPPORT

TANKS ARE NOT RATED FOR GASOLINE OR AROMATIC SOLVENTS

TANK RESINS ARE FULLY UV STABILIZED

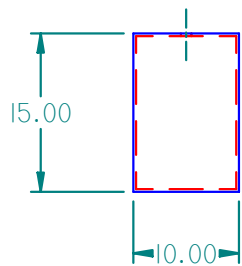
MOST SIZE TANKS ARE AVAILABLE IN STANDARD WALL THICKNESS SHOWN OR HEAVY DUTY

ALLOW +/- 1% ON TANK DIMENSIONS FOR OVERALL SIZE VARIANCES

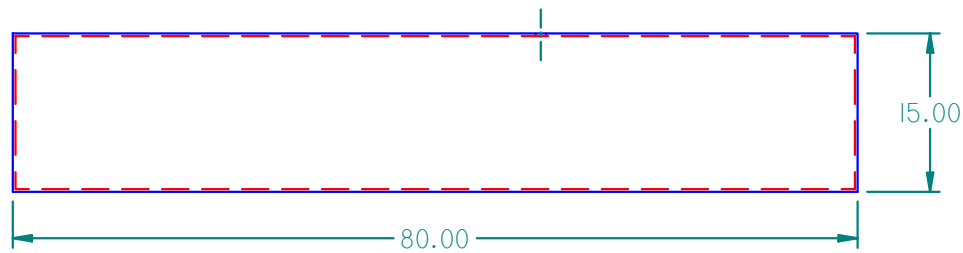
VENT HOLE ON TANK WILL BE WELDED SHUT IF NOT USED FOR FITTING LOCATION

TANK PLASTIC RESIN IS FDA COMPLIANT BASED ON MANUFACTURER'S SPECIFICATIONS

TANKS MEET ABYC AND USCG REQUIREMENTS FOR MARINE WATER AND HOLDING TANK APPLICATIONS



(A)

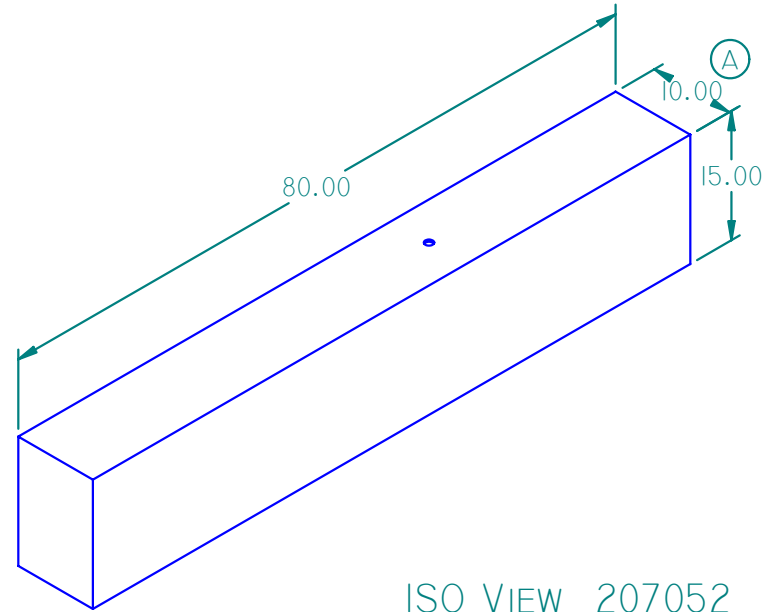


REVISION HISTORY			
REV	DESCRIPTION	DATE	APPROVED

(A)

TANK WIDTH CHANGED FROM 11" TO 10"

09/16/2004



ISO VIEW 207052

TANK CAPACITY: 52 GALLONS

	NAME	DATE
DRAWN	MPUTT	4/30/2004
CHECKED		
ENG APPR		
MGR APPR		



16160 Hwy 27 Lake Wales, FL 33859

TITLE 52 GALLON PLASTIC TANK

SIZE A	MATERIAL: LMDPE NATURAL	REV
--------	-------------------------	-----

FILE NAME: 207052.DFT

PART#: 207052	WEIGHT: 37.045 LBM	SHEET 1 OF 1
---------------	--------------------	--------------

WALL THICKNESS: .260"

UNLESS OTHERWISE SPECIFIED  
DIMENSIONS ARE IN INCHES  
ANGLES ±0.5°  
2 PL ±0.125" 3 PL ±0.060"