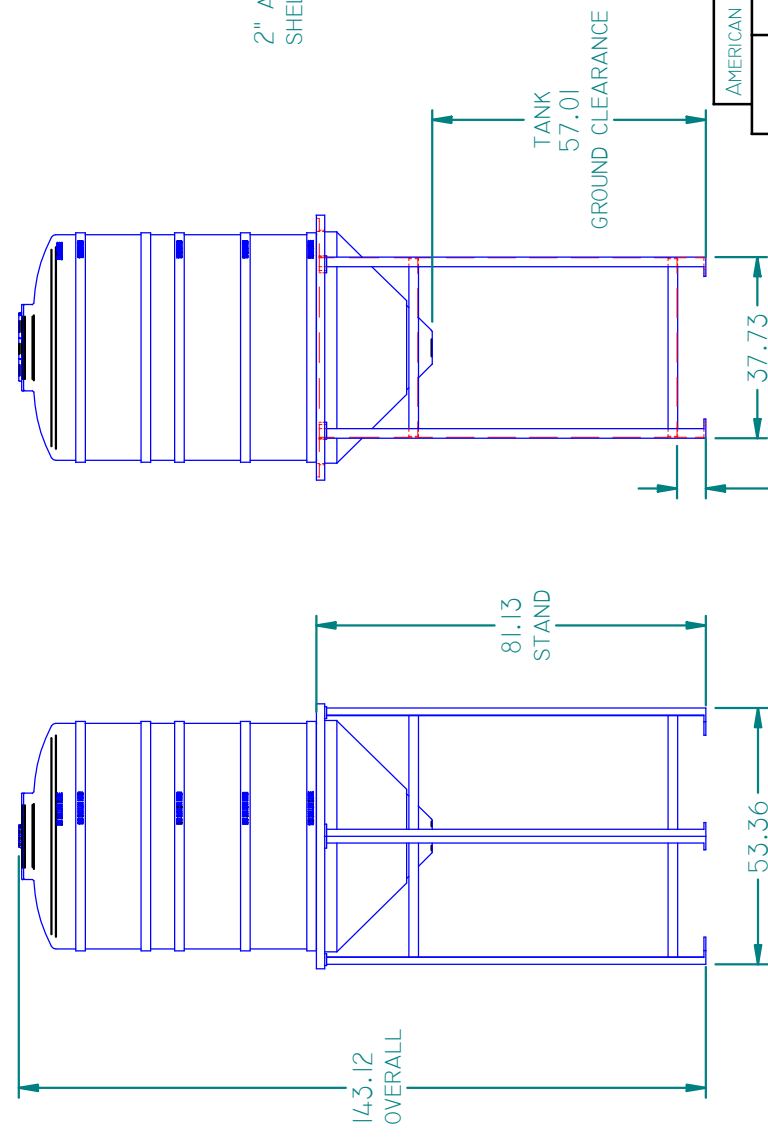
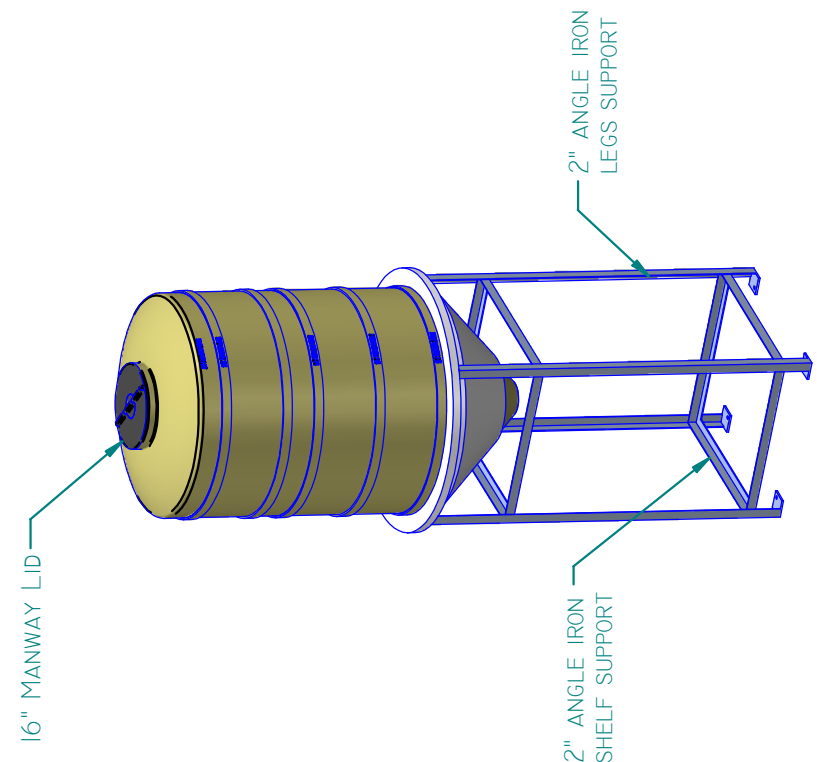
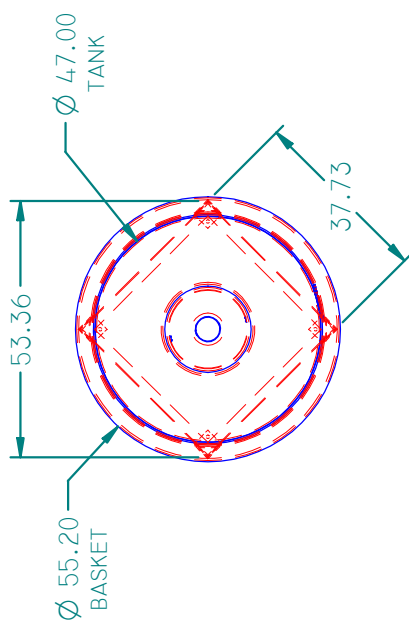


REVISION HISTORY

REV	DESCRIPTION	DATE	APPROVED



Dura-Cast Products INC.
Advancing Plastic for the Future

16160 Hwy 27 Lake Wales, FL 33859

TITLE: 500 GAL CONE BOTTOM TANK

AMERICAN HYDRO	NAME	DATE
DRAWN	MNEGRON	10/19/2008
CHECKED		
ENG APPR		
MGR APPR		

UNLESS OTHERWISE SPECIFIED
 DIMENSIONS ARE IN INCHES
 ANGLES ±0.5°
 2 PL ±0.125" 3 PL ±0.060"

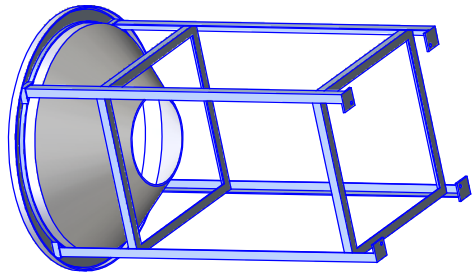
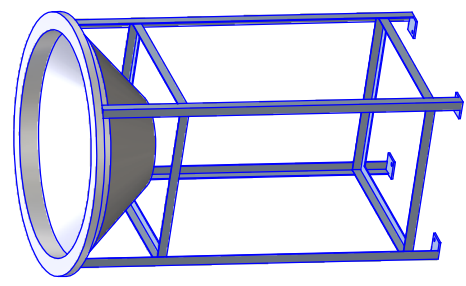
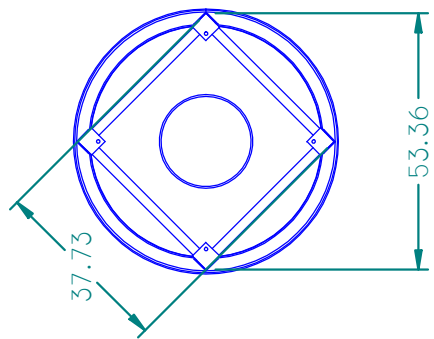
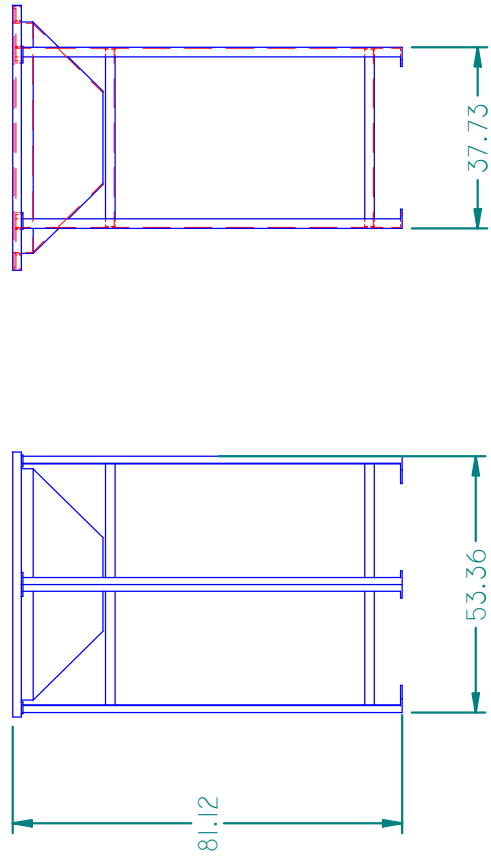
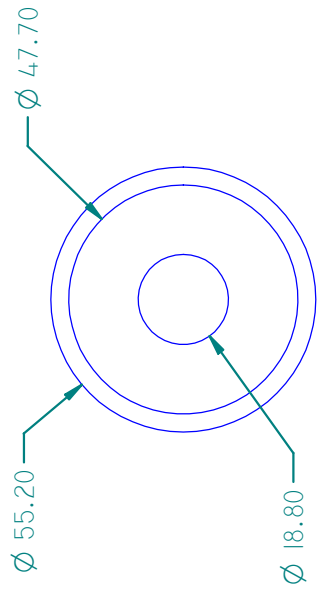
SIZE	A	PLASTIC BASKET STAND ASSY	REV
PART #:		WEIGHT: 349.897 LBM	SHEET 1 OF 3

FILE NAME: 47 STAND PLASTIC BASKET (500 GAL) - SHELF OPTION.DF

500 GAL CONE TANK
 PLASTIC BASKET STAND ASSY - SHELF OPTION

REVISION HISTORY

REV	DESCRIPTION	DATE	APPROVED



AMERICAN HYDRO		NAME	DATE
DRAWN	MNEGRON		10/19/2009
CHECKED			
ENG APPR			
MGR APPR			

UNLESS OTHERWISE SPECIFIED
 DIMENSIONS ARE IN INCHES
 ANGLES $\pm 0.5^\circ$
 2 PL $\pm 0.125"$ 3 PL $\pm 0.060"$


Dura-Cast Products INC.
Advancing Plastic for the Future

16160 Hwy 27 Lake Wales, FL 33859

TITLE: 500 GAL CONE BOTTOM TANK

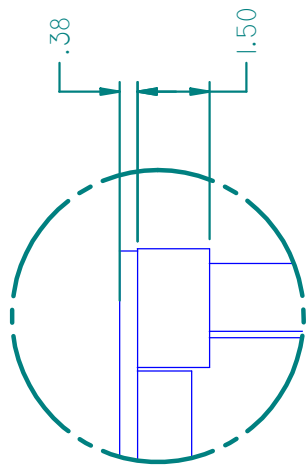
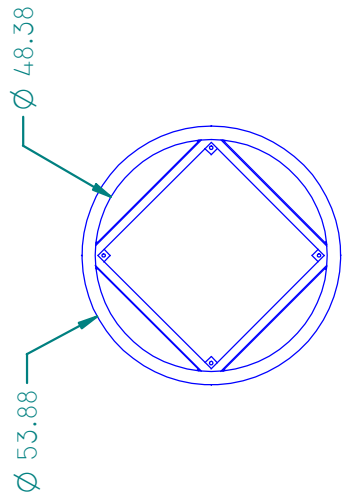
SIZE	A	REV
PLASTIC BASKET STAND ASSY		REV

FILE NAME: 4.7 STAND PLASTIC BASKET (500 GAL) - SHELF_OPTION.DF

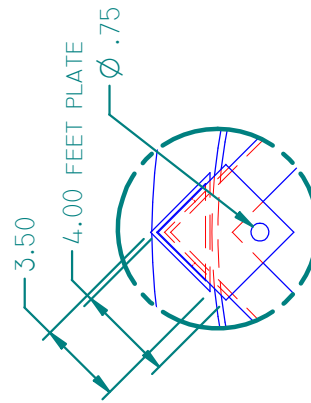
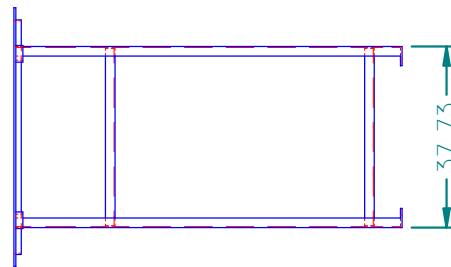
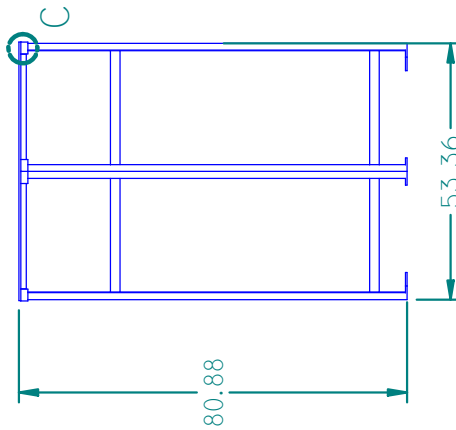
PART #: WEIGHT: 34.9,897 LBM SHEET 2 OF 3

REVISION HISTORY

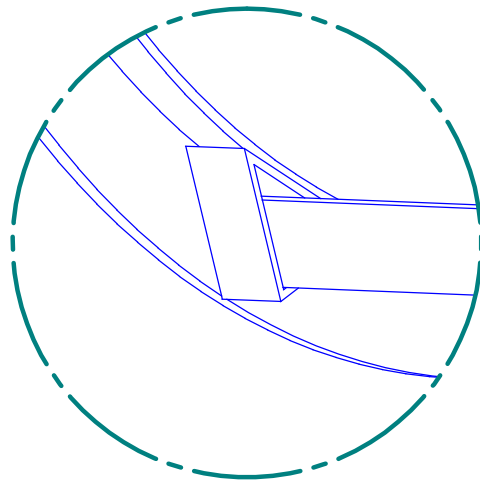
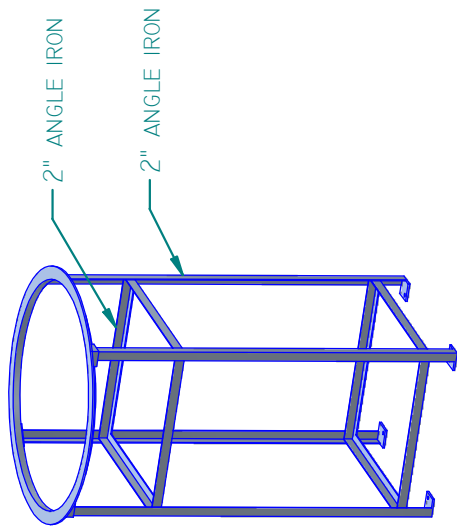
REV	DESCRIPTION	DATE	APPROVED



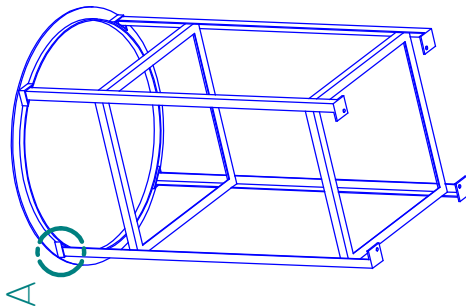
DETAIL C



DETAIL B



DETAIL A



AMERICAN HYDRO		NAME	DATE
DRAWN	MNEGRON		10/19/2009
CHECKED			
ENG APPR			
MGR APPR			

UNLESS OTHERWISE SPECIFIED
DIMENSIONS ARE IN INCHES
ANGLES $\pm 0.5^\circ$
2 PL $\pm 0.125"$ 3 PL $\pm 0.060"$



16160 Hwy 27 Lake Wales, FL 33859

TITLE 500 GAL CONE BOTTOM TANK

SIZE	PLASTIC BASKET STAND ASSY	REV
A		

FILE NAME: 4.7 STAND PLASTIC BASKET (500 GAL) - SHELF_OPTION.DF

PART #:	WEIGHT:	SHEET 3 OF 3
	34.9,897 LBM	