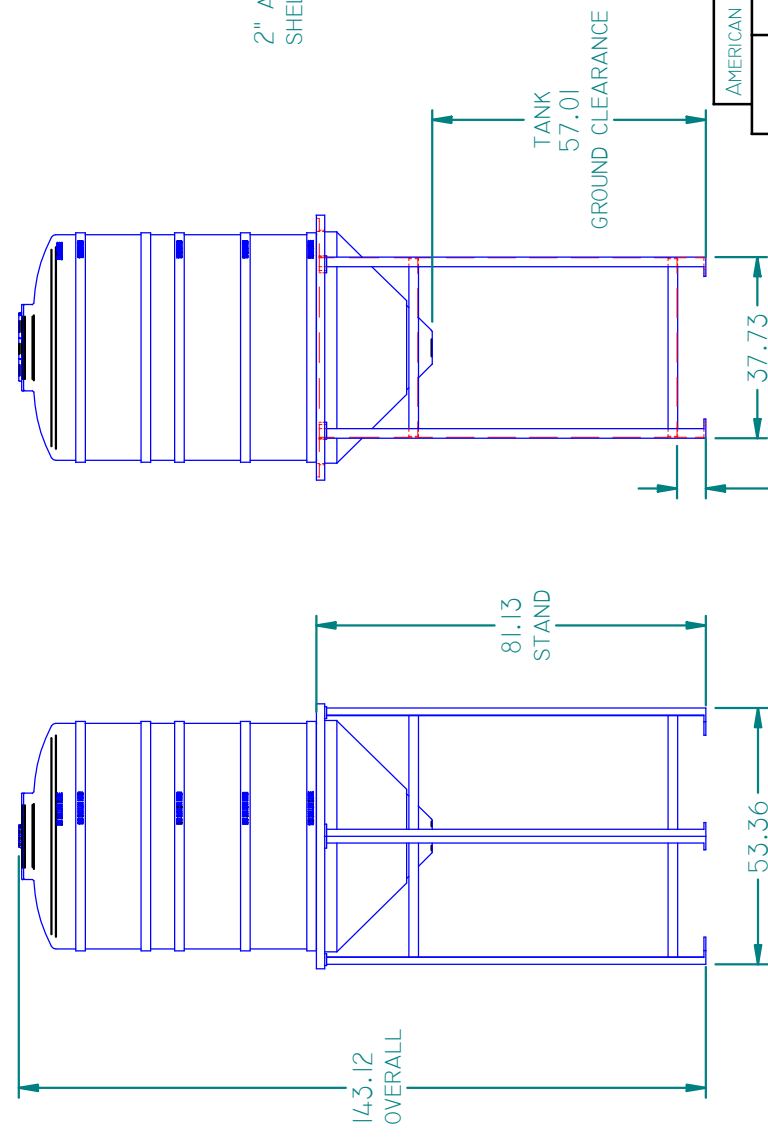
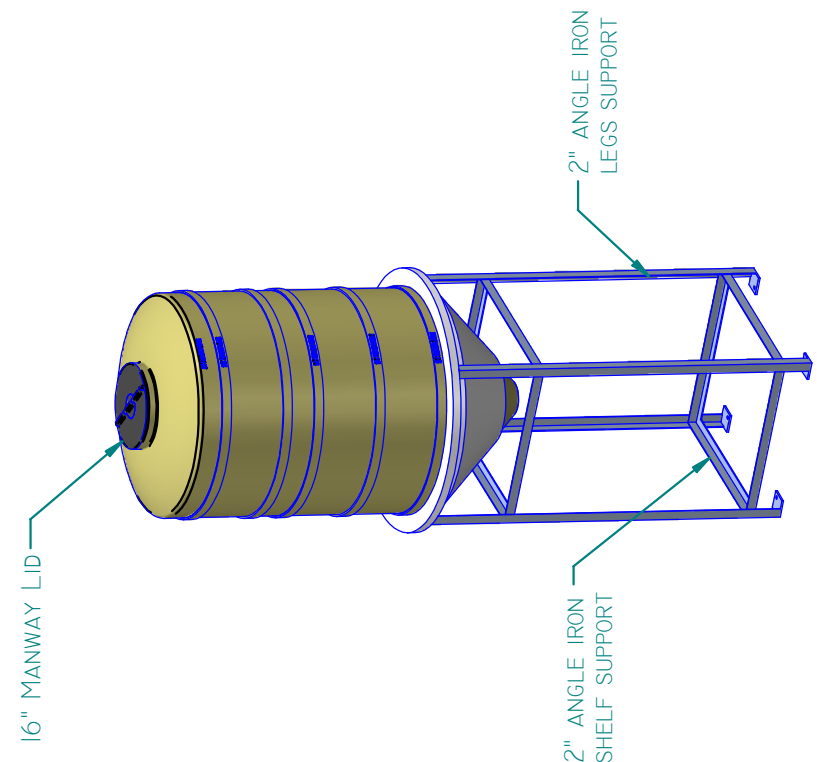
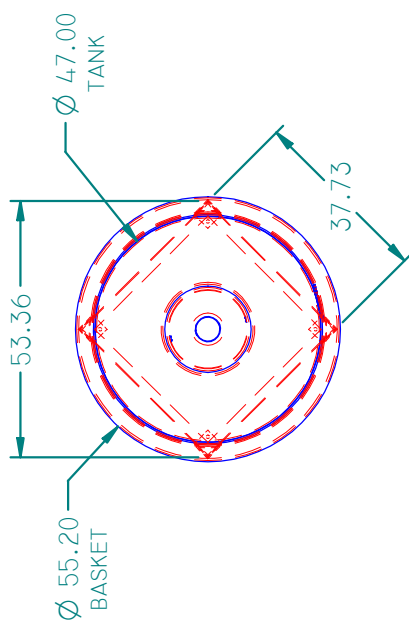


REVISION HISTORY

REV	DESCRIPTION	DATE	APPROVED



16160 Hwy 27 Lake Wales, FL 33859

TITLE 500 GAL CONE BOTTOM TANK

SIZE	A	PLASTIC BASKET STAND ASSY	REV
------	---	---------------------------	-----

FILE NAME: 47 STAND PLASTIC BASKET (500 GAL) - SHELF OPTION.DF

PART#: WEIGHT: 349.897 LBM SHEET 1 OF 3

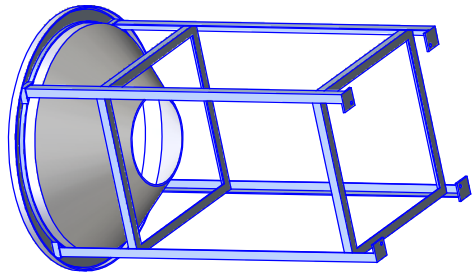
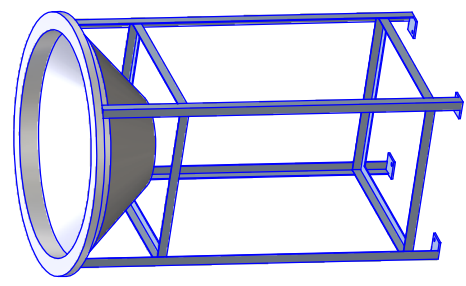
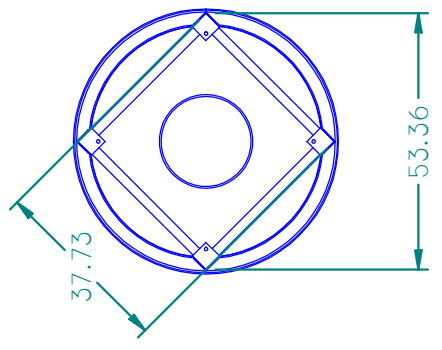
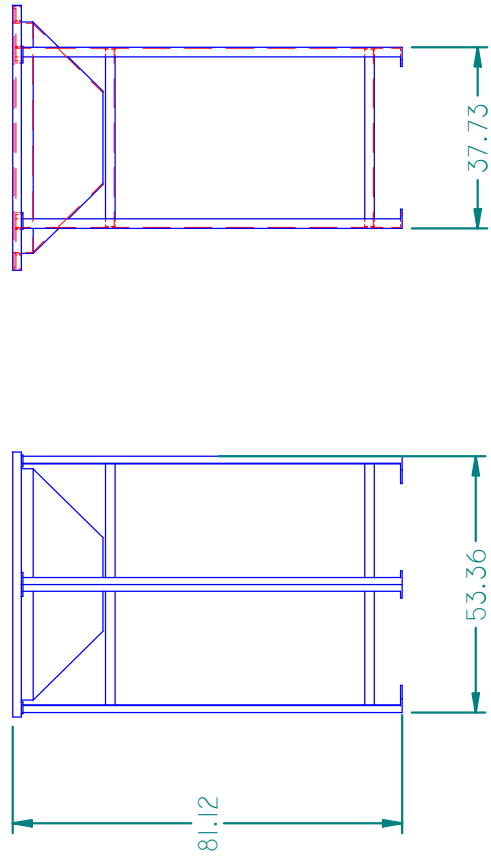
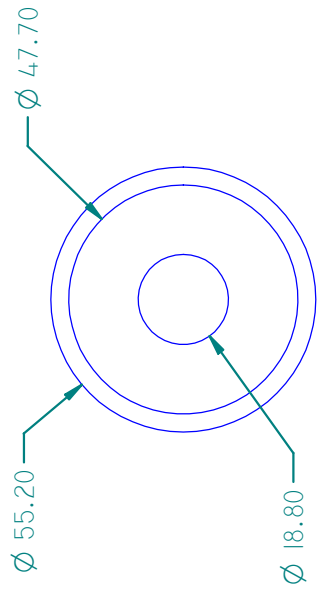
AMERICAN HYDRO		NAME	DATE
DRAWN	MNEGRON		10/19/2008
CHECKED			
ENG APPR			
MGR APPR			

UNLESS OTHERWISE SPECIFIED  
DIMENSIONS ARE IN INCHES  
ANGLES ±0.5°  
2 PL ±0.125" 3 PL ±0.060"

500 GAL CONE TANK  
PLASTIC BASKET STAND ASSY - SHELF OPTION

REVISION HISTORY

REV	DESCRIPTION	DATE	APPROVED



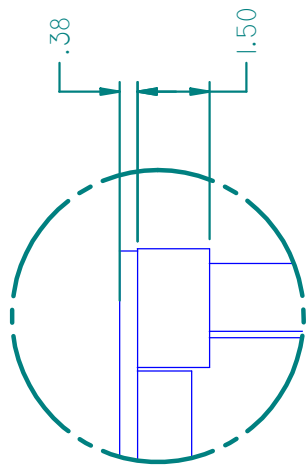
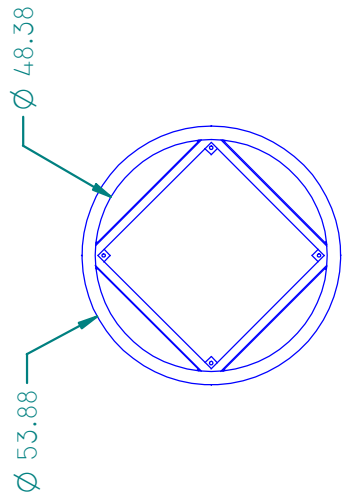
AMERICAN HYDRO		NAME	DATE
DRAWN	MNEGRON		10/19/2009
CHECKED			
ENG APPR			
MGR APPR			

UNLESS OTHERWISE SPECIFIED  
 DIMENSIONS ARE IN INCHES  
 ANGLES  $\pm 0.5^\circ$   
 2 PL  $\pm 0.125"$  3 PL  $\pm 0.060"$

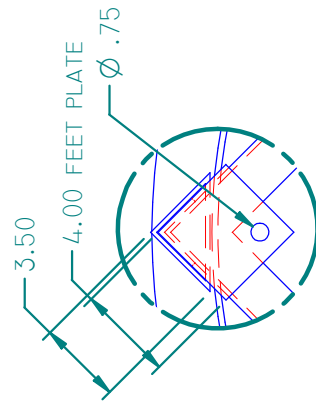
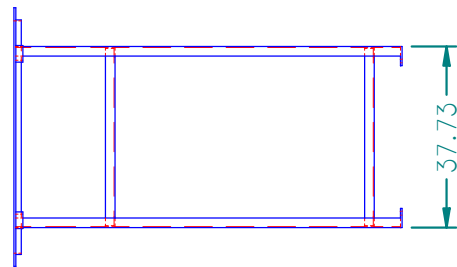
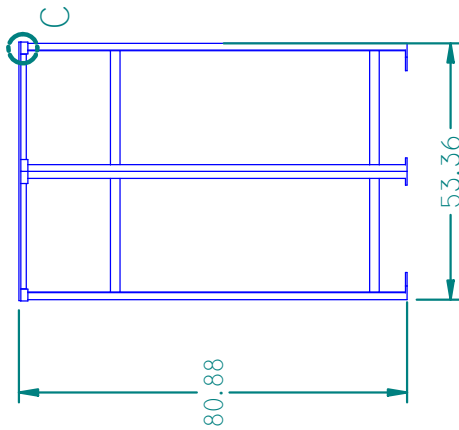

 16160 Hwy 27 Lake Wales, FL 33859  
**TITLE** 500 GAL CONE BOTTOM TANK  
**SIZE** A  
**REV** A  
**PLASTIC BASKET STAND ASSY**  
**FILE NAME:** 4.7 STAND PLASTIC BASKET (500 GAL) - SHELF\_OPTION.DF  
**PART #:** **WEIGHT:** 34.9,897 LBM  
**SHEET 2 OF 3**

REVISION HISTORY

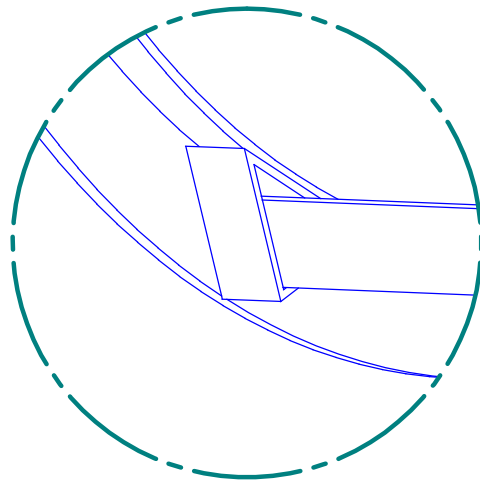
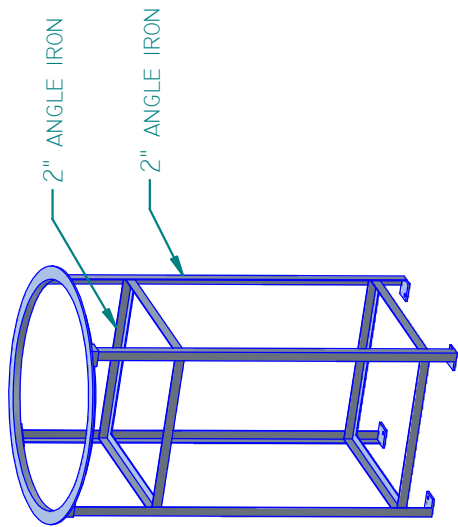
REV	DESCRIPTION	DATE	APPROVED



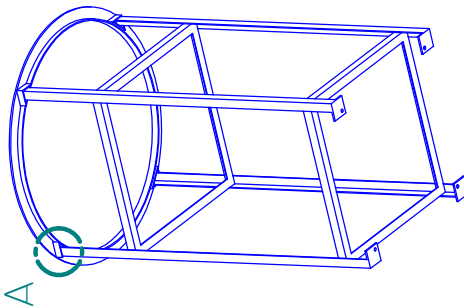
DETAIL C



DETAIL B



DETAIL A



AMERICAN HYDRO		NAME	DATE
DRAWN	MNEGRON		10/19/2009
CHECKED			
ENG APPR			
MGR APPR			



16160 Hwy 27 Lake Wales, FL 33859

TITLE 500 GAL CONE BOTTOM TANK

SIZE	PLASTIC BASKET STAND ASSY	REV
A		

FILE NAME: 4.7 STAND PLASTIC BASKET (500 GAL) - SHELF\_OPTION.DF

PART#: WEIGHT: 34.9,897 LBM SHEET 3 OF 3

UNLESS OTHERWISE SPECIFIED  
DIMENSIONS ARE IN INCHES  
ANGLES  $\pm 0.5^\circ$   
2 PL  $\pm 0.125"$  3 PL  $\pm 0.060"$