

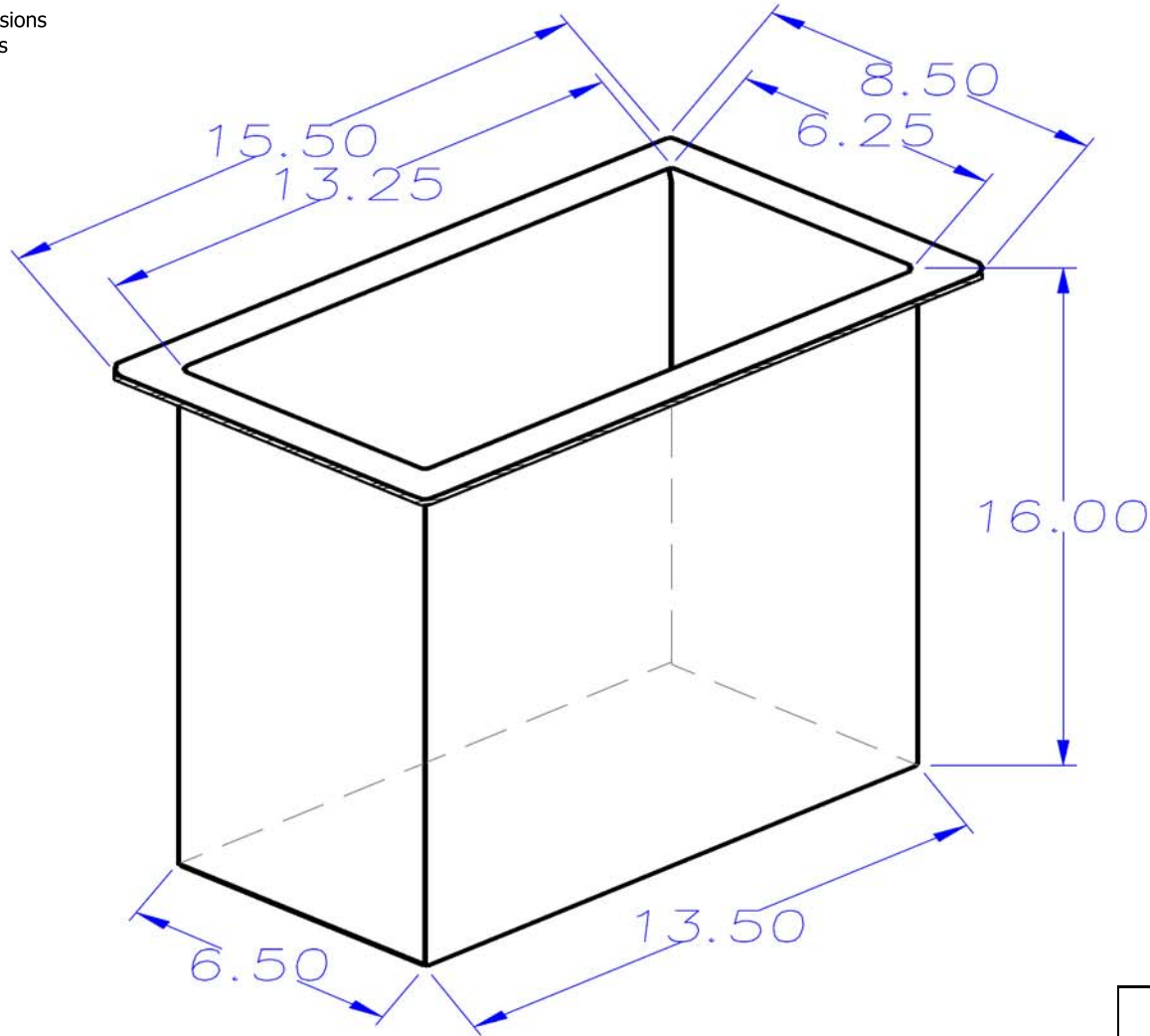
Plastic resin is fully FDA compliant based upon manufacturer's specifications

Resins are fully UV stabilized

Allow +/- 1% on dimensions for overall size variances

REVISION HISTORY

| REV | DESCRIPTION | DATE | APPROVED |
|-----|-------------|------|----------|
| | | | |



| | | |
|-------------------------|-------|-----------|
| Capacity: 5-1/2 Gallons | | |
| | NAME | DATE |
| DRAWN | MPUTT | 9/01/2004 |
| CHECKED | | |
| ENG APPR | | |
| MGR APPR | | |

Dura-Cast Products INC.
Rotomolding Plastic for the Future
 16160 Hwy 27 Lake Wales, FL 33859
 800.683.4116 863.638.3200 F 863.638.2443
 www.duracast.com

| | | |
|-----------|-------------------------|-----|
| TITLE Bin | | |
| SIZE A | MATERIAL: LMDPE Natural | REV |

| | | |
|----------------|--------------|--|
| Part #: 208000 | | |
| WEIGHT: 6# | SHEET 1 OF 1 | |

Wall Thickness: 0.150

UNLESS OTHERWISE SPECIFIED
 DIMENSIONS ARE IN INCHES
 ANGLES ±0.5°
 2 PL ±0.125° 3 PL ±0.060°