

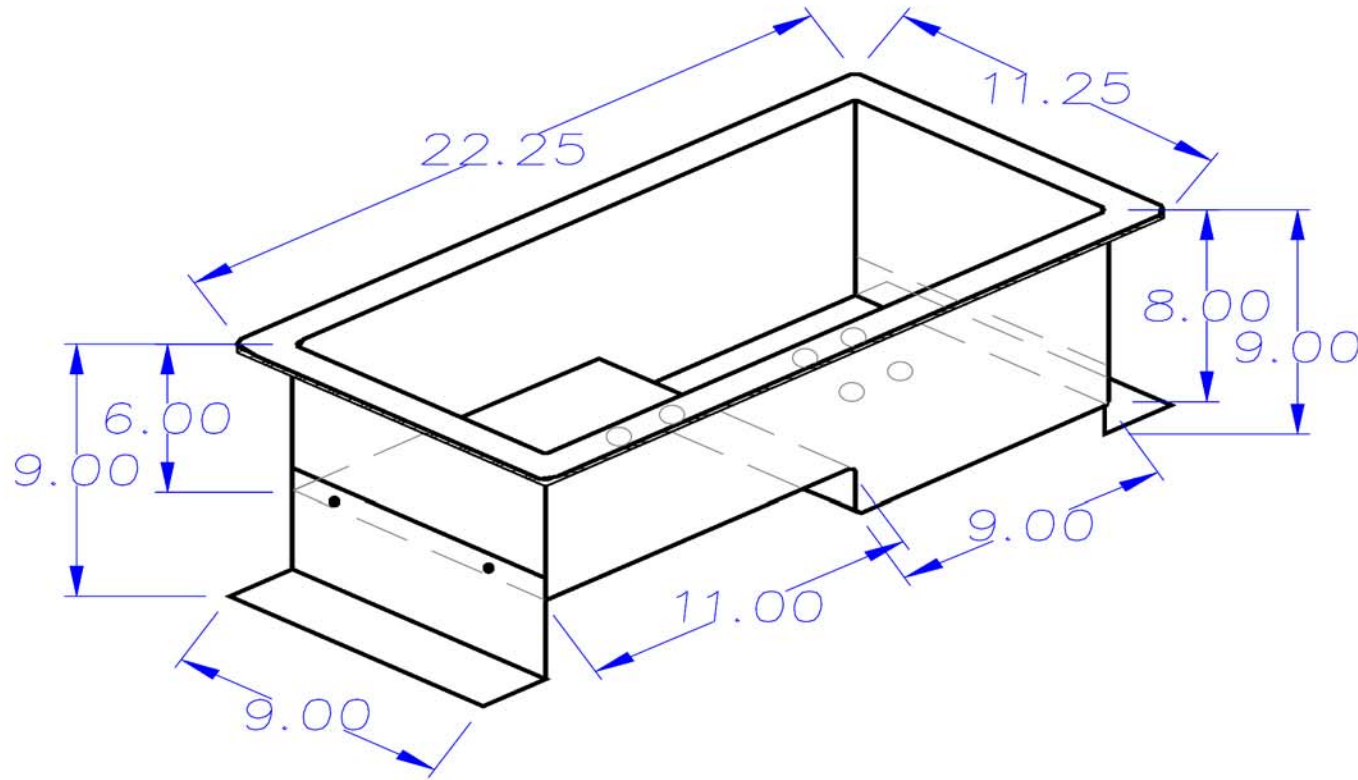
Plastic resin is fully FDA compliant based upon manufacturer's specifications

Resins are fully UV stabilized

Allow +/- 1% on dimensions for overall size variances

REVISION HISTORY

REV	DESCRIPTION	DATE	APPROVED



Wall Thickness: 0.200

Capacity: 5 Gallons		
	NAME	DATE
DRAWN	MPUTT	9/01/2004
CHECKED		
ENG APPR		
MGR APPR		

Dura-Cast Products INC.
Rotomolding Plastic for the Future
 16160 Hwy 27 Lake Wales, FL 33859
 800.683.4116 863.638.3200 F 863.638.2443
 www.duracast.com

TITLE Sump with Pump & Switch Mounts		
SIZE A	MATERIAL: LMDPE Natural	REV

Part #: 100006	
WEIGHT: 5#	SHEET 1 OF 1

UNLESS OTHERWISE SPECIFIED
 DIMENSIONS ARE IN INCHES
 ANGLES ±0.5°
 2 PL ±0.125° 3 PL ±0.060°