

TANKS ARE DESIGNED TO BE USED IN A HORIZONTAL POSITION. RECTANGULAR TANKS USED IN VERTICAL POSITION MAY REQUIRE ADDITIONAL WALL THICKNESS OR EXTERNAL SUPPORT

TANKS ARE NOT RATED FOR GASOLINE OR AROMATIC SOLVENTS

TANK RESINS ARE FULLY UV STABILIZED

MOST SIZE TANKS ARE AVAILABLE IN STANDARD WALL THICKNESS SHOWN OR HEAVY DUTY

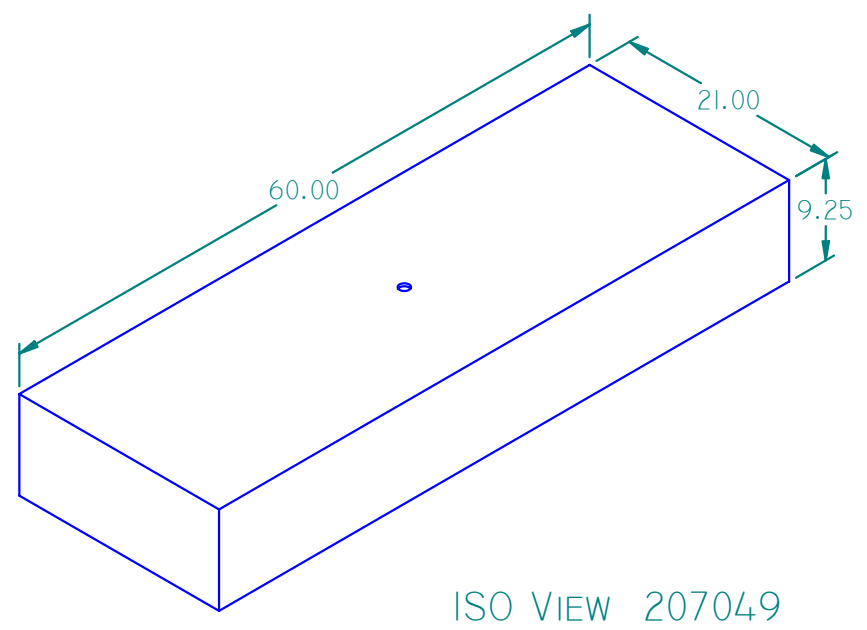
ALLOW +/- 1% ON TANK DIMENSIONS FOR OVERALL SIZE VARIANCES


VENT HOLE ON TANK WILL BE WELDED SHUT IF NOT USED FOR FITTING LOCATION

TANK PLASTIC RESIN IS FDA COMPLIANT BASED ON MANUFACTURER'S SPECIFICATIONS

TANKS MEET ABYC AND USCG REQUIREMENTS FOR MARINE WATER AND HOLDING TANK APPLICATIONS

REVISION HISTORY			
REV	DESCRIPTION	DATE	APPROVED



TANK CAPACITY: 45 GALLONS			 16160 Hwy 27 Lake Wales, FL 33859	
DRAWN	MPUTT	1/25/2004	TITLE 45 GALLON PLASTIC TANK	
CHECKED			SIZE A	MATERIAL: LMDPE NATURAL
ENG APPR				REV
MGR APPR			FILE NAME: 207049.DFT	
UNLESS OTHERWISE SPECIFIED DIMENSIONS ARE IN INCHES ANGLES ±0.5° 2 PL ±0.125" 3 PL ±0.060"			PART#: 207049	WEIGHT: 35.343 LBM
WALL THICKNESS: .265"			SHEET 1 OF 1	