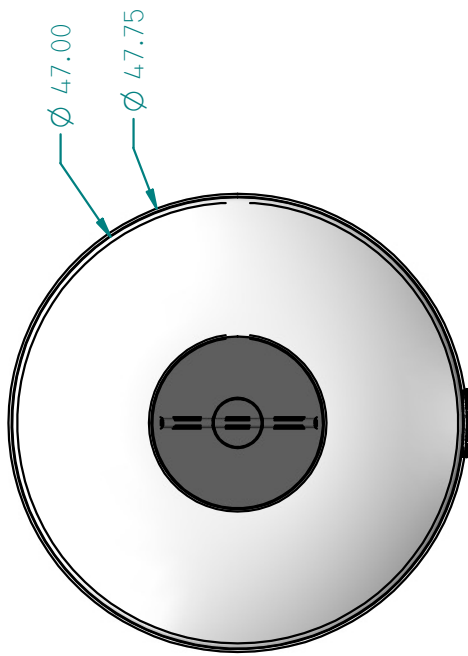


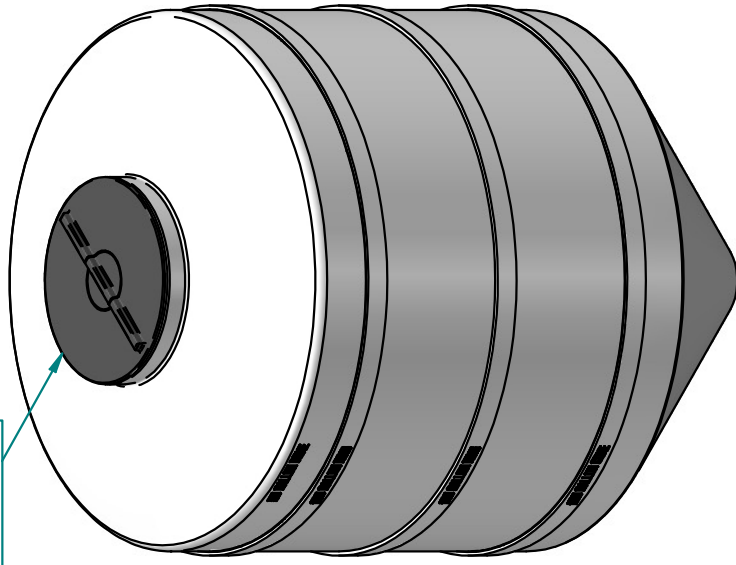
REVISION HISTORY

REV	DESCRIPTION	DATE	APPROVED

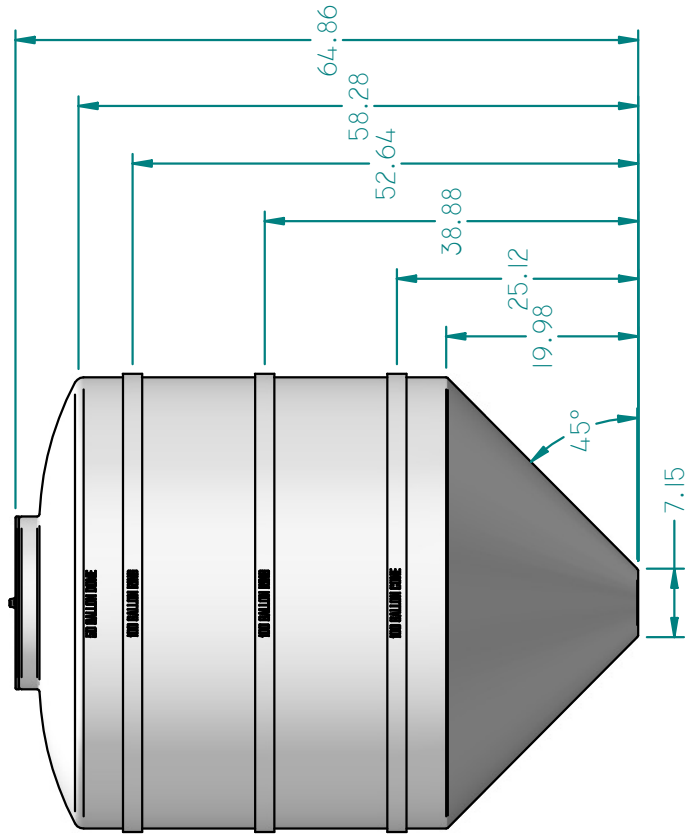


TOP VIEW

16" MANWAY



ISO VIEW



SIDE VIEW

WALL THICKNESS: .320"



16160 Hwy 27 Lake Wales, FL 33859

TITLE: 350 GALLON 4.7" CONE TANK

SIZE	MATERIAL	REV
A	HDPE NATURAL 1.9 SPG	

FILE NAME: 350GALCONE TANK.DFT

PART #: 930351 WEIGHT: 107.328 LBS SHEET 1 OF 1

TANK CAPACITY: 350 GALLONS

NAME	DATE
DRAWN: MPUTT	9/22/2003
CHECKED	
ENG APPR	
MGR APPR	

UNLESS OTHERWISE SPECIFIED
DIMENSIONS ARE IN INCHES
ANGLES ±0.5°
2 PL ±0.125" 3 PL ±0.060"