

tanks are designed to be used in a horizontal position. rectangular tanks used in vertical position may require additional wall thickness or external support

tanks are not rated for gasoline or aromatic solvents

tank resins are fully uv stabilized

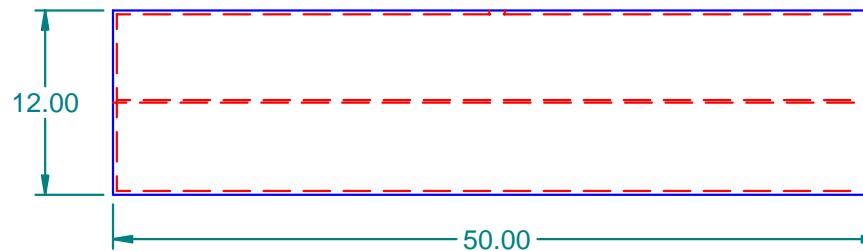
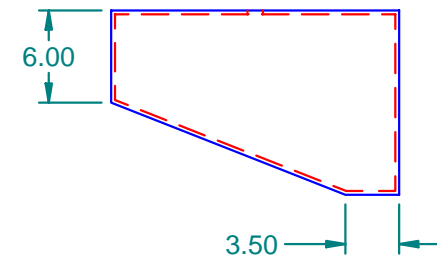
most size tanks are available in standard wall thickness shown or heavy duty

allow +/- 1% on tank dimensions for overall size variances

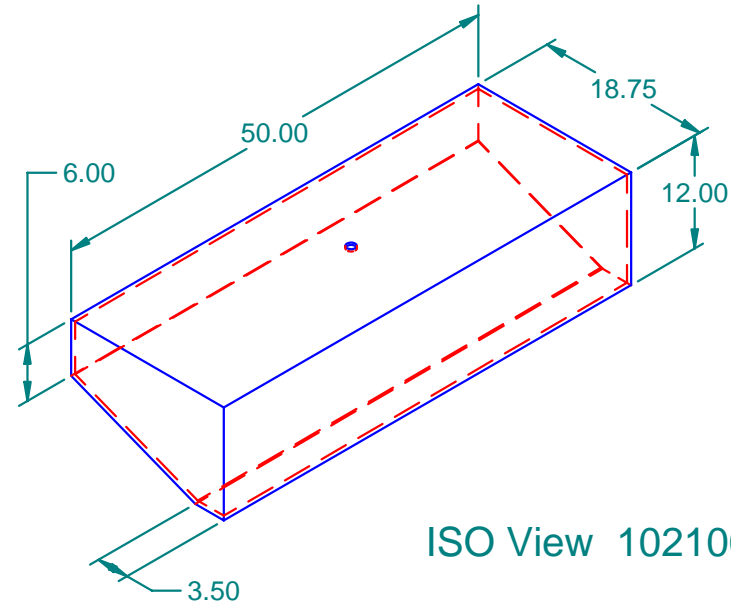
vent hole on tank will be welded shut if not used for fitting location

tank plastic resin is fda compliant based on manufacturer's specifications

tanks meet abyc and uscg requirements for marine water and holding tank applications



REVISION HISTORY			
REV	DESCRIPTION	DATE	APPROVED



ISO View 102100

wall thickness: 0.250"

	NAME	DATE
DRAWN	mputt	5/10/2006
CHECKED		
ENG APPR		
MGR APPR		



16160 Hwy 27 Lake Wales, FL 33859

TITLE		35 Gal Tank	
SIZE A	MATERIAL: Polyethylene, low density	REV	

UNLESS OTHERWISE SPECIFIED
DIMENSIONS ARE IN INCHES
ANGLES ±0.5°
2 PL ±0.125" 3 PL ±0.060"

FILE NAME: 208035.dft	
PART#: 208035	WEIGHT: Error: No reference